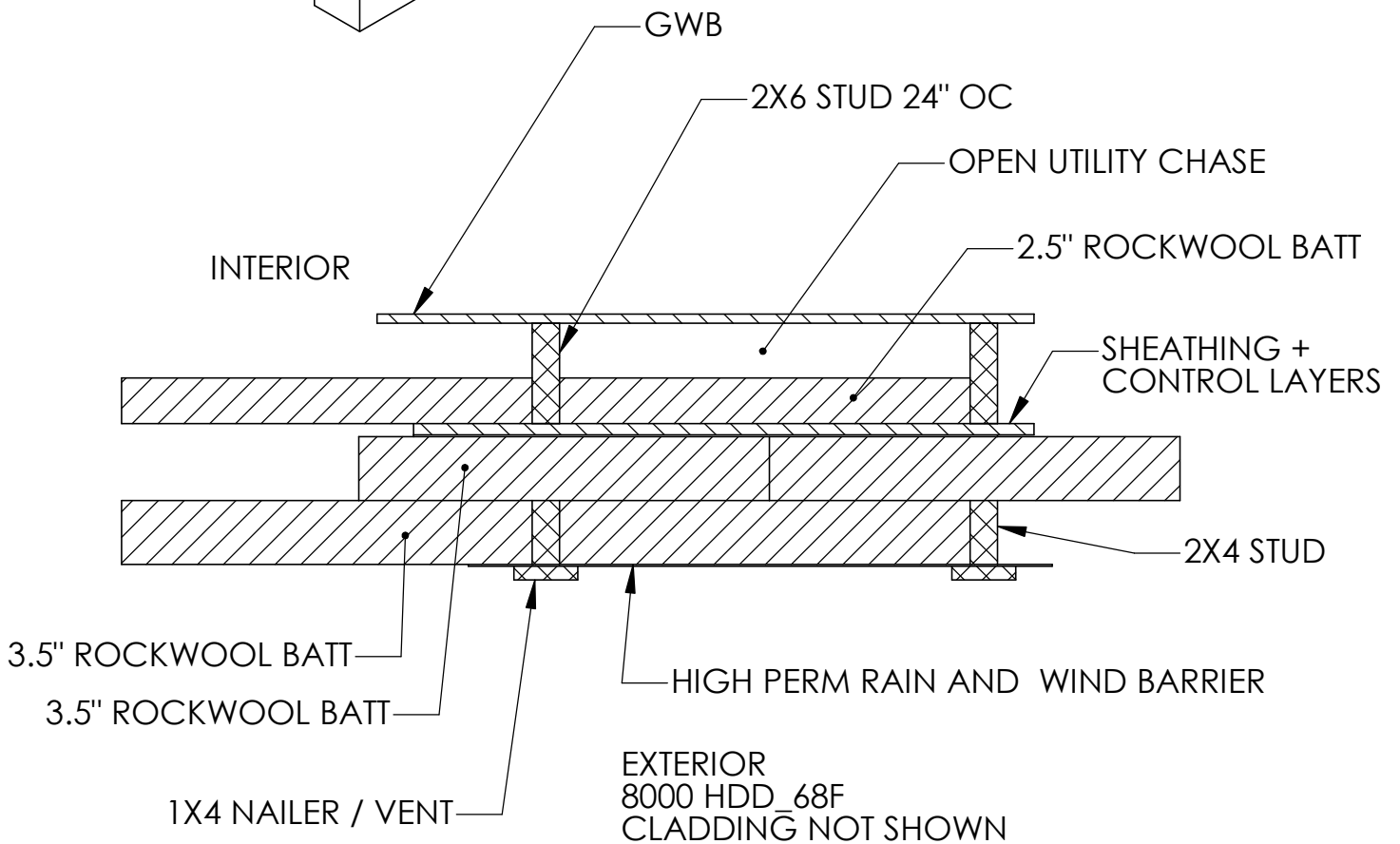


TOTAL 9" ROCKWOOL BATT  
AT R 4 / INCH = R36



INTERIOR

GWB

2X6 STUD 24" OC

OPEN UTILITY CHASE

2.5" ROCKWOOL BATT

SHEATHING +  
CONTROL LAYERS

2X4 STUD

3.5" ROCKWOOL BATT

3.5" ROCKWOOL BATT

HIGH PERM RAIN AND WIND BARRIER

1X4 NAILER / VENT

EXTERIOR  
8000 HDD\_68F  
CLADDING NOT SHOWN