

12-3. WIRED REMOTE CONTROLLER

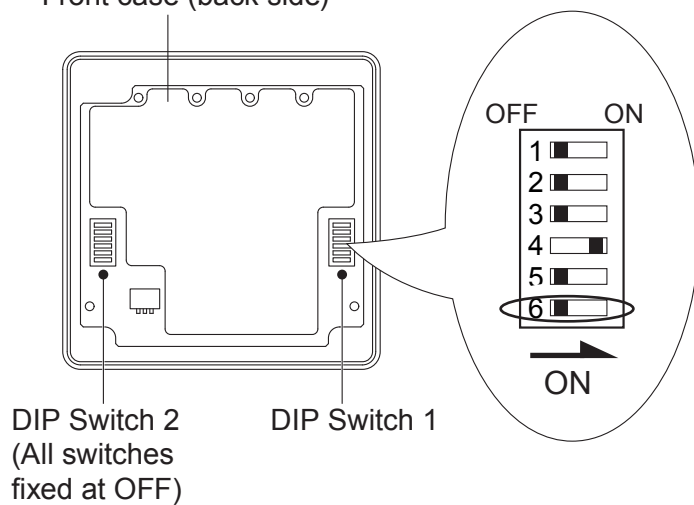
DIP Switch 1	SW1	Setting change prohibited
	SW2	Dual remote controller setting
	SW3	Setting change prohibited
	SW4	°F / °C switch
	SW5	Setting change prohibited
	SW6	Memory backup setting

* Do not use DIP Switch 2

■ SWITCH POSITION

● Wired remote controller

Front case (back side)



■ DIP SWITCH 1 SETTING

● SW1 setting change prohibited

(◆...Factory setting)

SW1	
OFF	Fixed at OFF
ON	Setting change prohibited

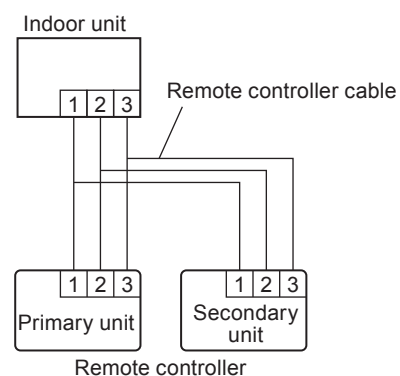
● SW2 setting

● Dual remote controller setting

Set the remote controller SW2 according to the following table.

(◆...Factory setting)

Number of remote controller	Primary unit	Secondary unit
	SW2	SW2
1 (Normal)	OFF	-
2 (Dual)	OFF	ON



● SW3 setting change prohibited

(◆...Factory setting)

SW3	
OFF	Fixed at OFF
ON	Setting change prohibited

● SW4 setting

● °F / °C switch

Temperature display is Fahrenheit (°F) / Celsius (°C).

(◆...Factory setting)

SW4	
OFF	°C
ON	°F

● **SW5 setting change prohibited**

(◆...Factory setting)

SW5	
OFF	Fixed at OFF
ON	Setting change prohibited

● **SW6 setting**

● **Memory backup setting (Wired remote controller only)**

Set to ON to use batteries for the memory backup.

If batteries are not used, all of settings stored in memory will be deleted if there is a power failure.

(◆...Factory setting)

SW6	Memory backup
OFF	Invalidity
ON	Validity

Never turn it ON in the case of simple remote controller.