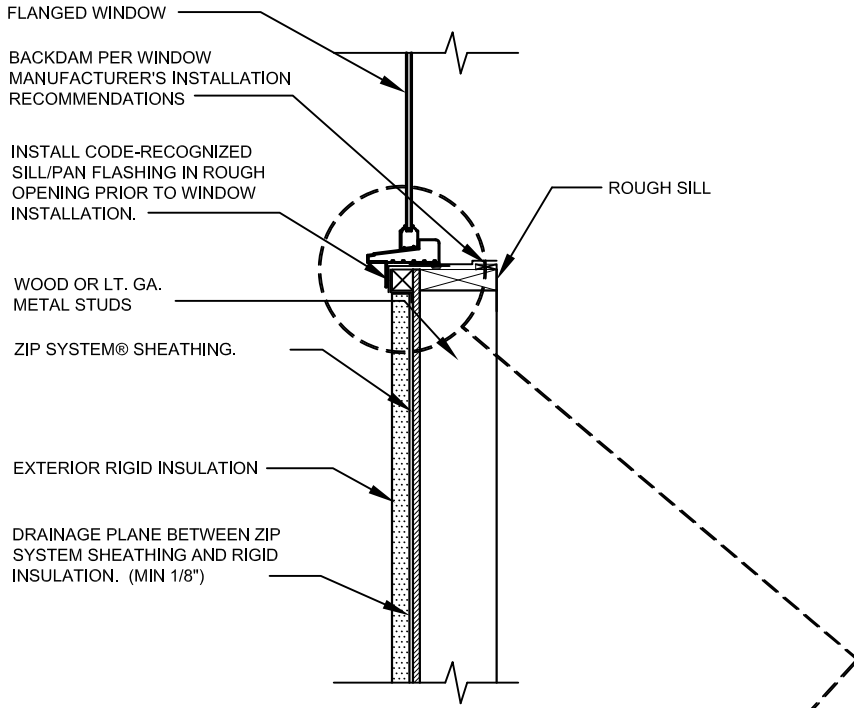
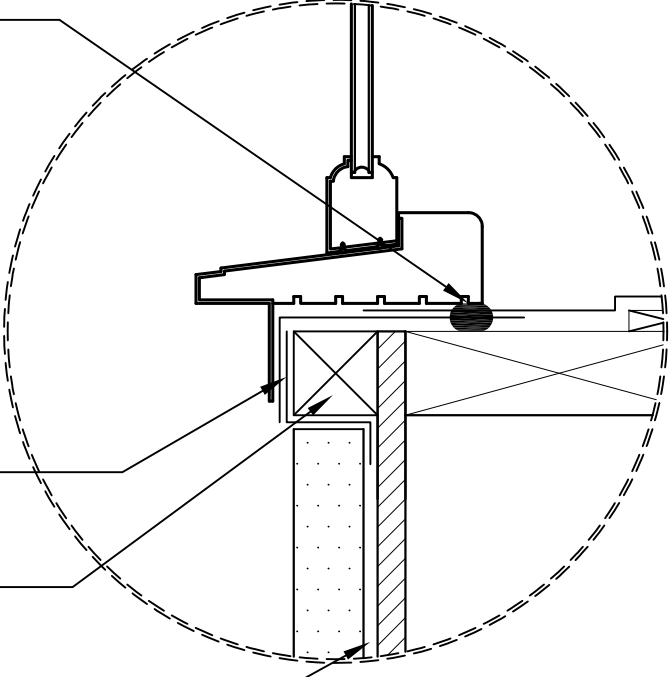


# ZIP SYSTEM® WALL W/ EXT FOAM INSULATION AT WINDOW SILL SECTION

# W-7



LOW EXPANDING FOAM SEALANT OR COMPATIBLE SILICONE, POLYURETHANE, OR BUTYL SEALANT



**DRAWING NOT TO SCALE**

08-07-2015



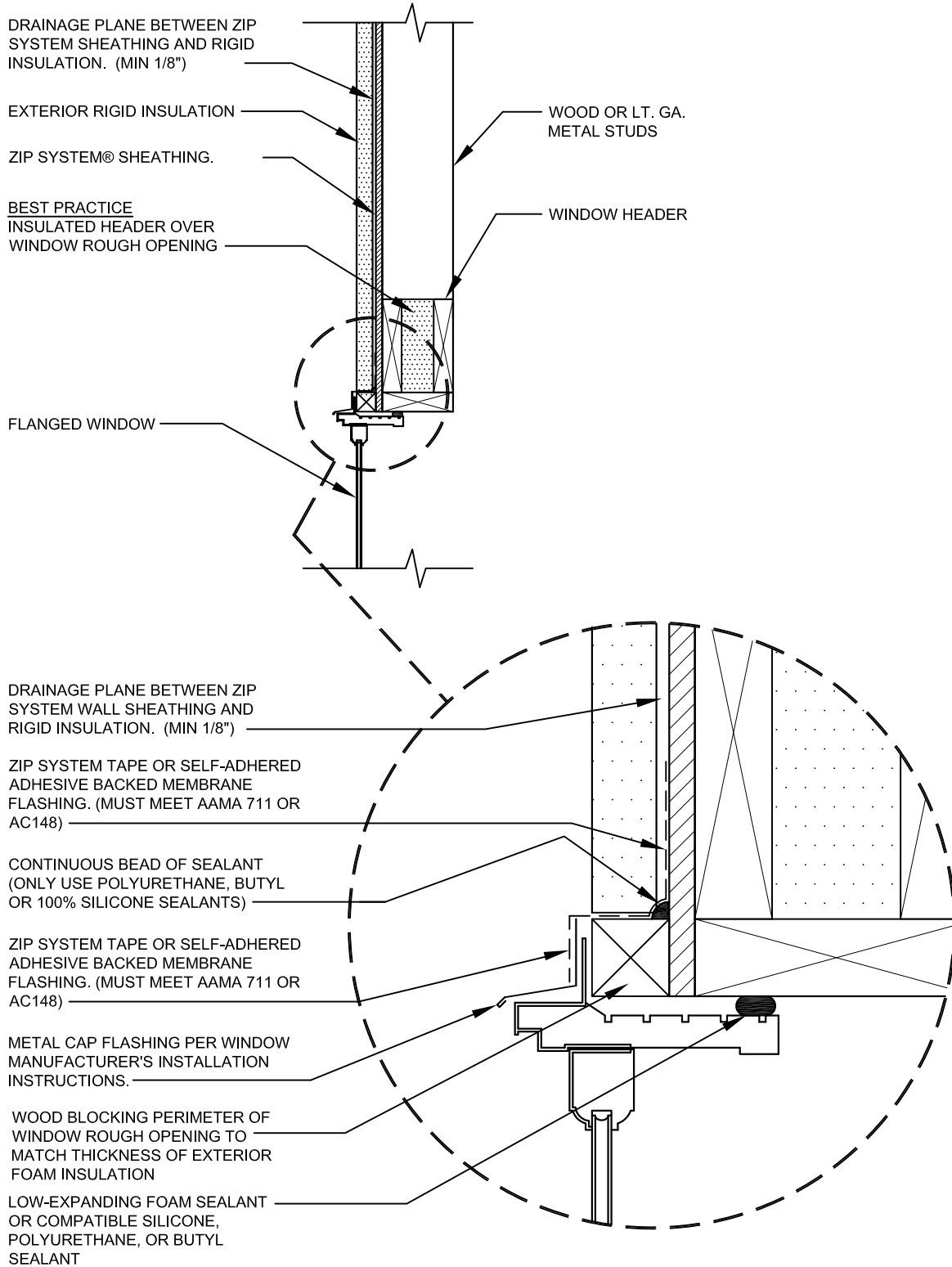
Sales Office: 10925 David Taylor Drive  
 Suite 300 - Charlotte, NC 28262  
 Telephone: 800.933.9220 - [www.zipsystem.com](http://www.zipsystem.com)



These construction details are provided to assist in the installation of ZIP System® product(s) and may not apply to every situation. Manufacturer accepts no responsibility or liability for the use of these or other construction details.

# ZIP SYSTEM® WALL W/ EXT FOAM INSULATION AT WINDOW HEAD SECTION

# W-9



DRAWING NOT TO SCALE

08-07-2015



Sales Office: 10925 David Taylor Drive  
 Suite 300 - Charlotte, NC 28262  
 Telephone: 800.933.9220 - [www.zipsystem.com](http://www.zipsystem.com)

another innovation from

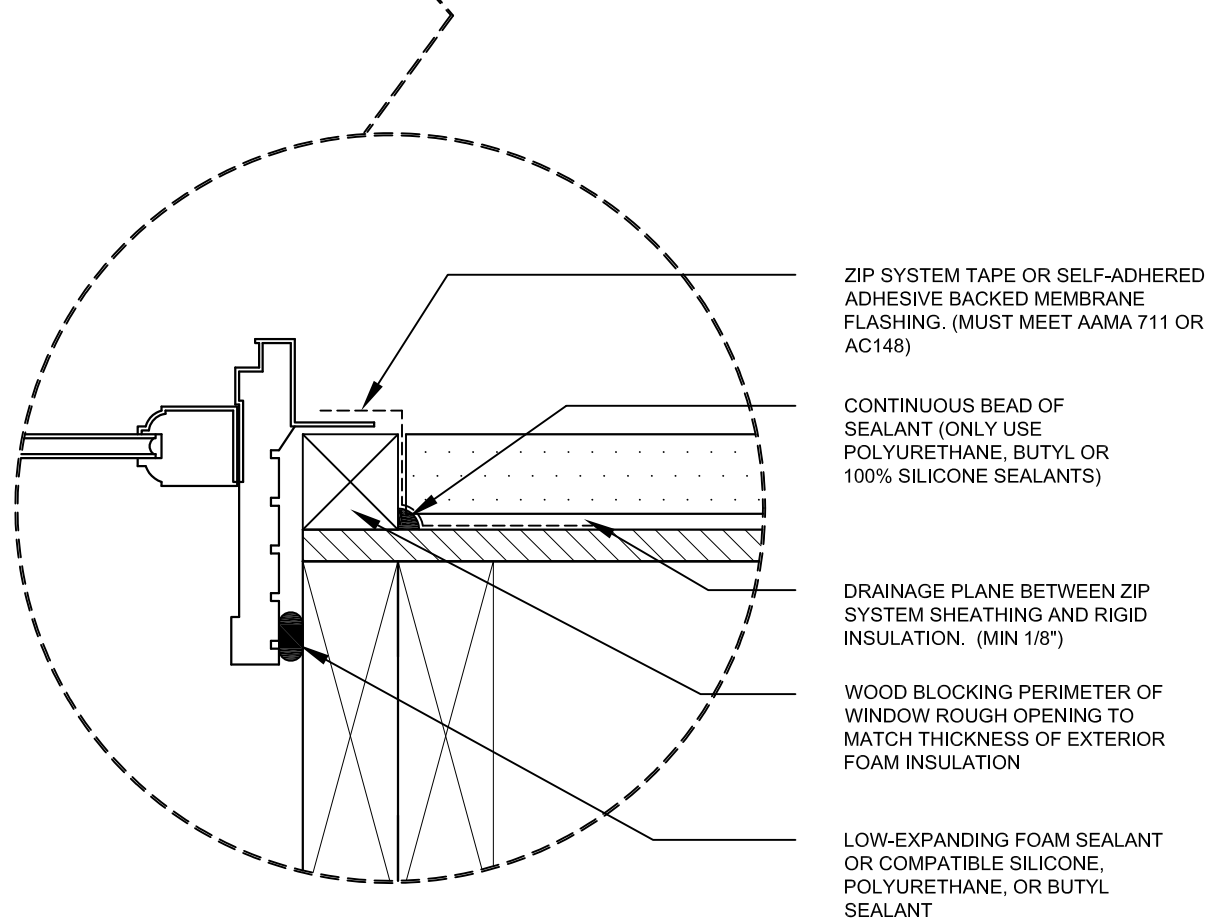
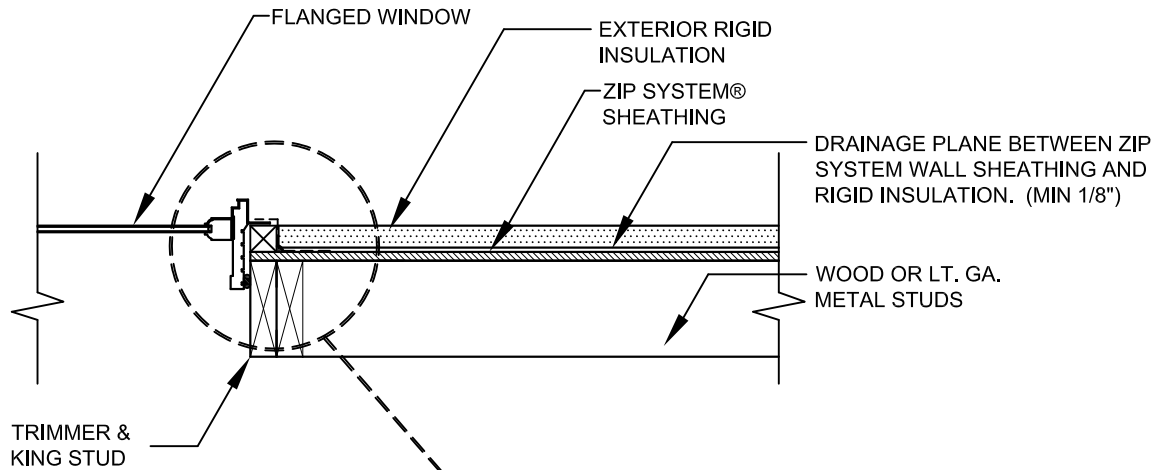


ENGINEERED WOODS

These construction details are provided to assist in the installation of ZIP System® product(s) and may not apply to every situation. Manufacturer accepts no responsibility or liability for the use of these or other construction details.

# ZIP SYSTEM® SHEATHING W/ EXT FOAM INSULATION AT WINDOW JAMB SECTION

# W-8



**DRAWING NOT TO SCALE**

08-07-2015



Sales Office: 10925 David Taylor Drive  
 Suite 300 - Charlotte, NC 28262  
 Telephone: 800.933.9220 - [www.zipsystem.com](http://www.zipsystem.com)

*another innovation from*



**ENGINEERED WOODS**

These construction details are provided to assist in the installation of ZIP System® product(s) and may not apply to every situation. Manufacturer accepts no responsibility or liability for the use of these or other construction details.