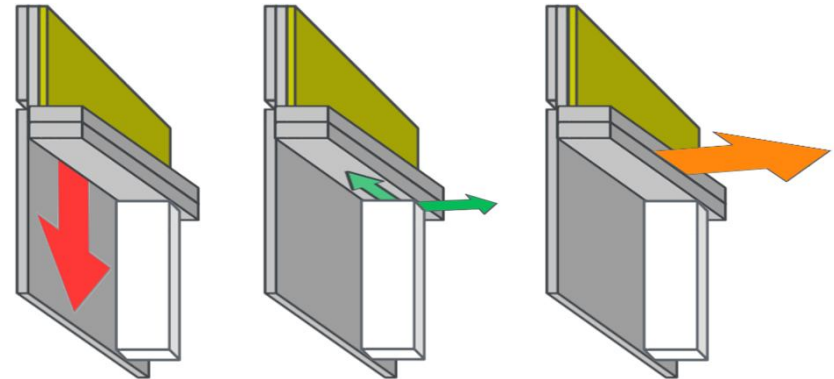
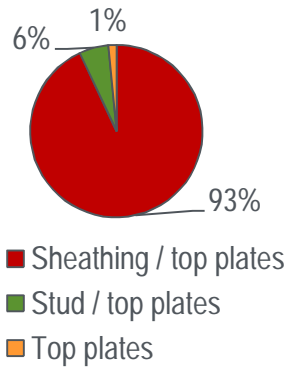
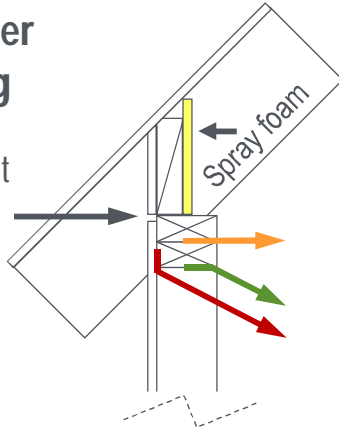


Air Leakage Distribution

Exterior air barrier
Cathedral ceiling

Sheathing / roof joint
1.1 cfm/ft @ 50 Pa



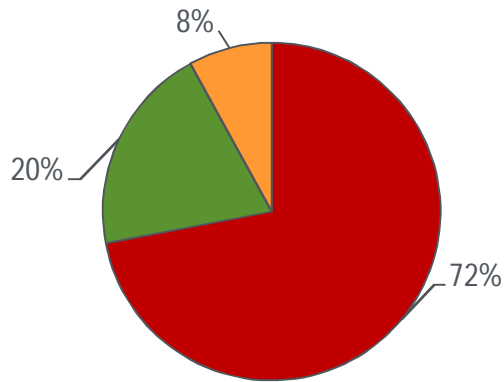
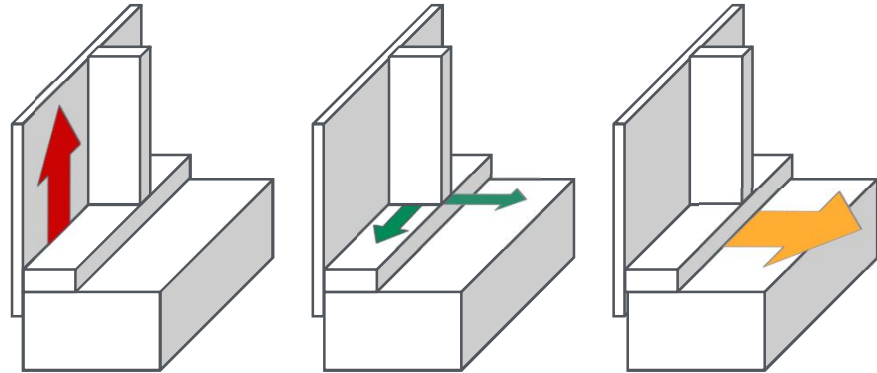
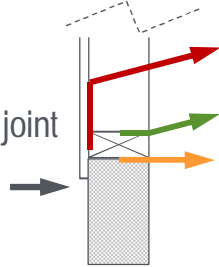
2-Story house (Floor area = 2,000 ft²)
Sheathing / roof joint unsealed \cong 0.5 ACH₅₀

Zones	DOE Challenge Home		IECC 2012	
	Requirement	Contribution to requirement (%)	Requirement	Contribution to requirement (%)
1 – 2	3	17	5	10
3 – 4	2.5	20	3	17
5 – 7	2	25	3	17
8	1.5	33	3	17

Air Leakage Distribution

Exterior air barrier

Sheathing / foundation joint
1.1 cfm/ft @ 50 Pa



- Sheathing / bot plate
- Stud / bot plate
- Bot plate / floor

2-Story house (Floor area = 2,000 ft²)
Sheathing / foundation joint unsealed \cong 0.5 ACH₅₀

Zone s	DOE Challenge Home		IECC 2012	
	Requirement	Contribution to requirement (%)	Requirement	Contribution to requirement (%)
1 – 2	3	17	5	10
3 – 4	2.5	20	3	17
5 – 7	2	25	3	17
8	1.5	33	3	17