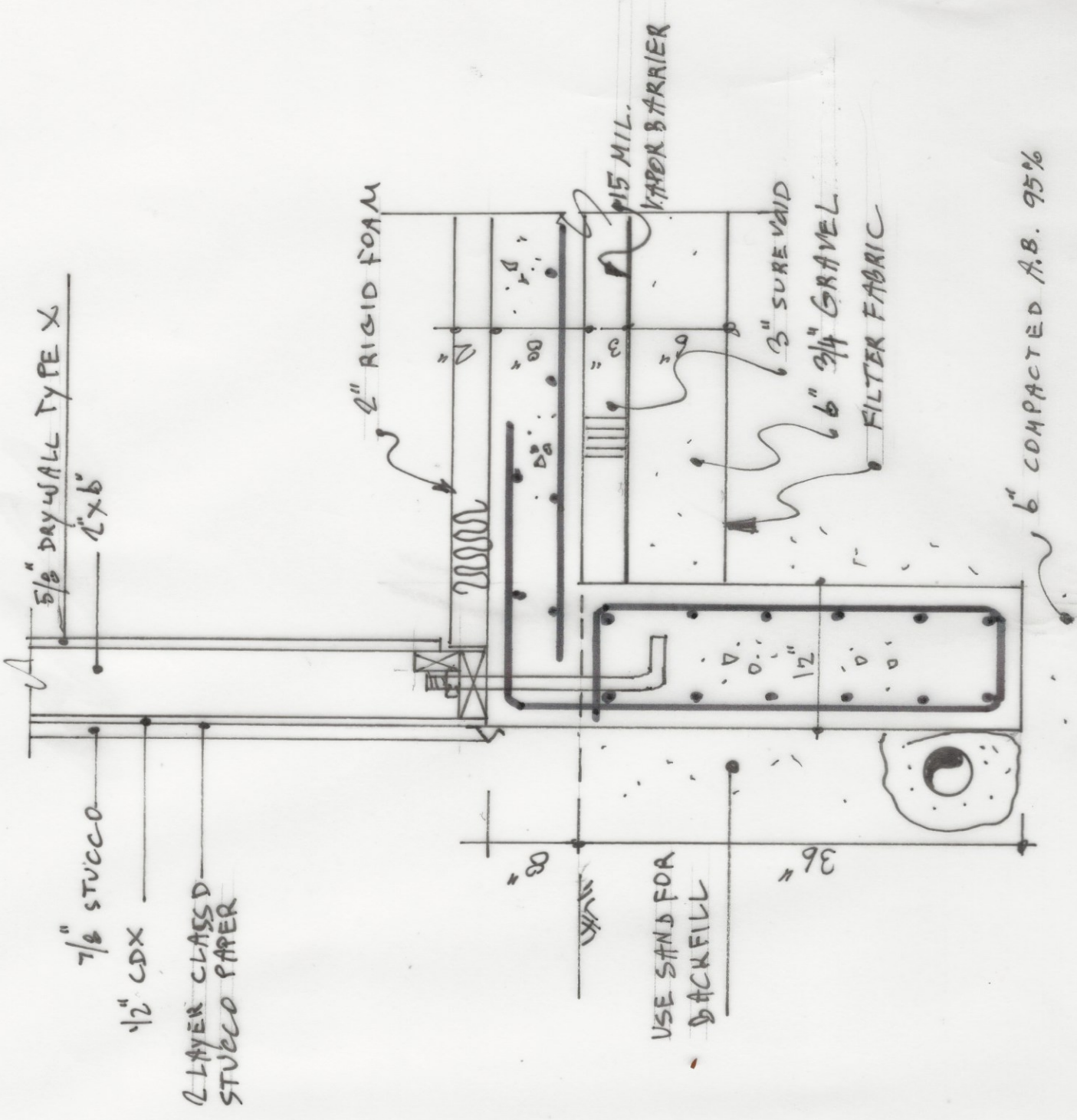


ADU FOUNDATION 1/4" = 1'-0"



TYPICAL EDGE DETAIL