

**Submittal Data: 9RLS3H
Inverter Driven Heat Pump**

9,000 BTU Wall Mount

Job Name: _____

Date: _____

Location: _____

Approval: _____

Engineer: _____

Construction: _____

Submitted to: _____

Unit #: _____

Submitted by: _____

Drawing #: _____

Reference: _____

General Features

- Refrigerant Type R410A.
- Energy saving program
- Wired and wireless remote controllers
- Double swing automatic
- Automatic airflow adjustment
- Low noise mode
- Energy Star rated
- Base pan heater
- 5- Years Parts, 7- Years Compressor Warranty (See Warranty Statement for details)
- Program timer

Model Information

Outdoor..... AOU9RLS3H
Indoor..... ASU9RLS3

Electrical..... 208/230V AC 1ph-60Hz
Available Voltage Range..... 208/230 +/- 10%
Minimum Circuit Ampacity..... 14.4 A
Max Fuse Size..... 15A
Max Starting Current..... 3.3 A

Input Power

Cooling..... 0.5 kW
Heating..... 0.66 kW

Running Current

Cooling..... 2.5 A
Heating..... 3.3 A

Capacity

Nominal Cooling..... 9,000 Btu/h
Min-Max Cooling..... 3,100-12,000 Btu/h
Nominal Heating..... 12,000 Btu/h
Min-Max Heating..... 3,100-22,000 Btu/h

Compressor

..... Rotary (inv x1)
Motor Output..... 850 W
Refrigerant..... R410a
Charge..... 2 lbs. 14 oz.
Oil..... FREOL a68SZ

Fan Motor

(Condenser) Type: DC Propeller x1
(Condenser) Motor Output..... 49 W
(Evaporator) Type: DC..... Cross flow fan x1
(Evaporator) Motor Output..... 61 W

Heat Exchanger (Condenser (C) Evaporator (E))

Dimensions (H x W x D)
Condenser..... 23-1/8 x 34-11/16 x 1-7/16 in. (588x881x36.4 mm)
Evaporator..... Main 15-1/8 x 28-3/8 x 1-3/16 in. (384x720x30) Sub 3-5/16 x 28-3/8 x 1/2 in. (84x720x13.3 mm) 4-15/16 x 28-3/8 x 1/2 in. (126x720x13.3 mm)
Fin Pitch..... 20 FPI (C) Main 21 FPI Sub 18 FPI (E)
Rows x Stages..... 2 x 28 (C) Main 3 x 24 Sub 1 x 10 (E)
Pipe Type (Material)..... Copper (C) Copper (E)
Fin Type (Material)..... Aluminum (C) Aluminum (E)

Note: Specifications are based on the following conditions:
Cooling: Indoor temperature of 80°F (26.7°C) DB/67°F (19.44°C) WB, and outdoor temperature of 95°F (35°C) DB/75°F (23.9°C) WB.
Heating: Indoor temperature of 70°F (21.1°C) DB/59°F (15.°C) WB, and outdoor temperature of 47°F (8.33°C) DB/43°F (6.11°C) WB.
Pipe length: 24ft. (7.5m), Height difference: 0ft. (0m) (Outdoor unit – indoor unit)



Operation Temperature Range

Cooling..... 14°F (-10°C) to 115°F (46°C)
Heating..... -15°F (-26°C) to 75°F (24°C)

Efficiency

SEER..... 33
EER (cooling)..... 5.28 kW/kW
COP (heating)..... 5.33kW/kW / 18.2 Btu/hW
HSPF (heating)..... 14.2 Btu/hW

Enclosure (Condenser)

Material..... Painted galvanized steel
Color..... Beige (10 YR 7.5/1.0 NN)

Sound Pressure Level

Outdoor..... 42 dB(A)
Indoor..... 42 dB(A)

Dimensions

H x W x D
Outdoor in. (mm)..... 24-1/2 (620) x 31-1/8 (790) x 11-7/16 (290)
Indoor in. (mm)..... 11- 5/8 (295) x 37 (940) x 10-5/8 (270)

Connection Pipe

Liquid..... 1/4" / 6.35 mm Flare
Gas..... 3/8" / 9.52 mm Flare
Method (Liquid/Gas)..... Brazing
Max Length (Pre-charge)..... 66 ft.(20 m) / (49 ft. {15 m})
Max Height Difference..... 49 ft. (15 m)

Weight

Outdoor..... 86 lbs (38 kg)
Indoor..... 31 lbs (14 kg)

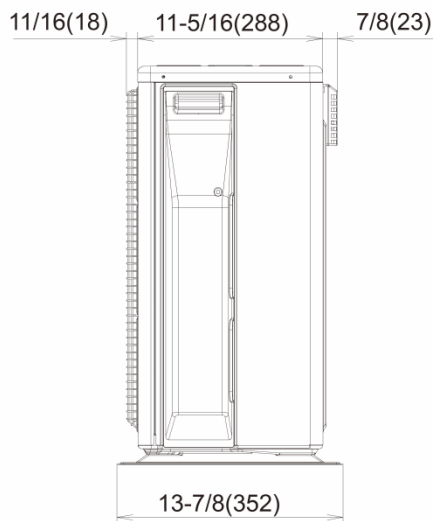
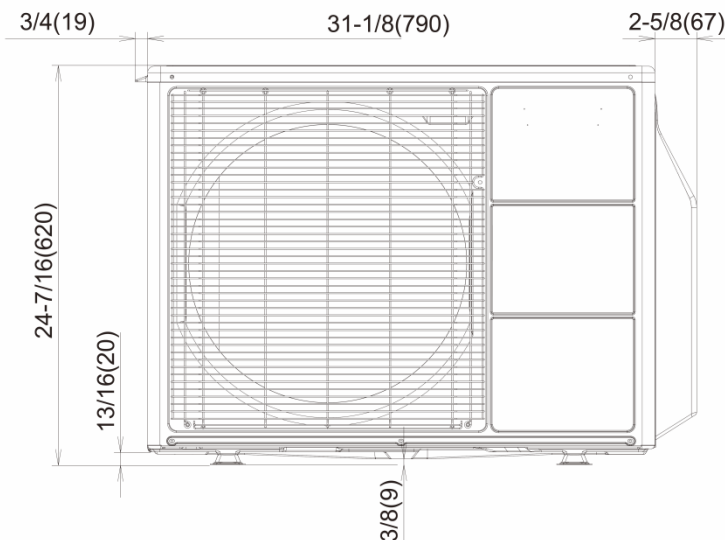
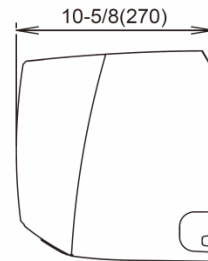
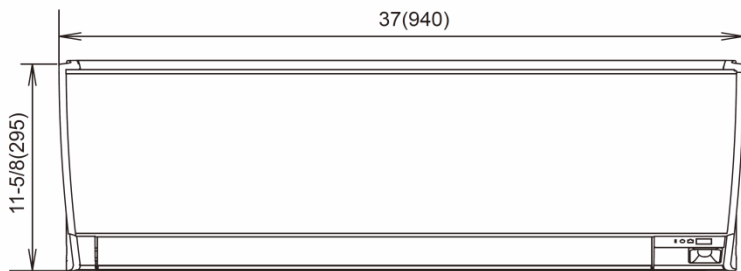
Accessories

Wired Remote Controller..... UTY-RVNUM
Wired Remote Controller..... UTY-RNNUM
Simple Remote Controller..... UTY-RSNUM
Communication Kit..... UTY-TWBXF1
External Connection Kit..... UTY-XWZZ5



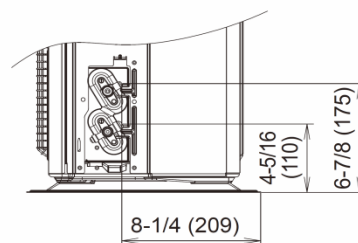
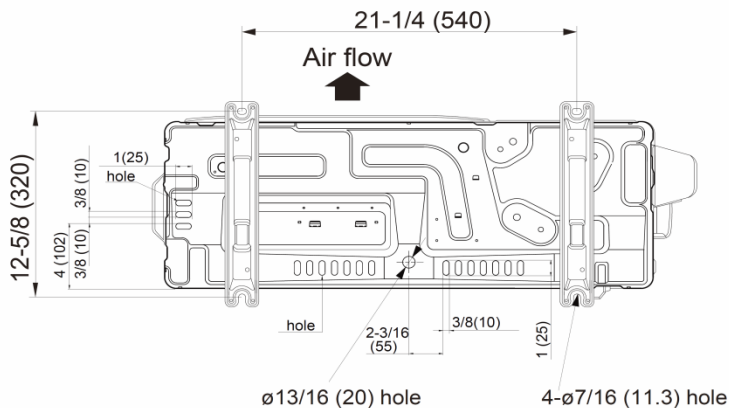
Dimensions: 9RLS3H

[Unit: in. (mm)]



Front view

Side view



Bottom view