

**Inverter Driven Heat Pump**

**12,000 BTU Mid Static ducted**

Job Name \_\_\_\_\_  
 Location \_\_\_\_\_  
 Engineer \_\_\_\_\_  
 Submitted To \_\_\_\_\_  
 Submitted By \_\_\_\_\_  
 Reference \_\_\_\_\_

Date \_\_\_\_\_  
 Approval \_\_\_\_\_  
 Construction \_\_\_\_\_  
 Unit No \_\_\_\_\_  
 Drawing No \_\_\_\_\_

**PRODUCT FEATURES**

- Up to .80" WC
- Two wire or Three wire Controls
- Automatic Airflow Adjustment
- Energy Efficient up to 21.3 SEER
- Quiet Operation as low as 24 decibels
- Long Lineset Lengths up to 246'



MODEL NUMBERS	
Indoor Unit	ARU12RGLX
Outdoor Unit	AOU12RLF
System	12RGLXD

EFFICIENCIES	
SEER	21.3
EER	13.4
HSPF	11.7
COP (kW)	3.9

OUTDOOR TEMPERATURE OPERATION RANGE		
Cooling	*F(°C)	14 to 115 (-10 to 46)
Heating		-5 to 75 (-21 to 24)

CAPACITIES			
Cooling	Rated	BTU/hw	12,000
	Min.-Max.		(3,100 - 13,600)
Heating	Rated		16,000
	Min.-Max.		(3,100 - 19,400)

LINESET REQUIREMENTS			
Connection Method Flare			
Liquid	in (mm)	Ø1/4(Ø6.35)	
		Ø3/8(Ø9.52)	
Pre-Charge Length	ft (m)	49 (15)	
		10 (3)	
		66 (20)	
		49 (15)	

INDOOR DIMENSIONS & WEIGHT			
Net (H x W x D)	in	11-13/16 x 27-9/16 x 27-9/16	
	mm	(420 x 458 x 39.9)	
Gross (H x W x D)	in	15-3/4 x 36-15/16 x 34-7/16	
	mm	(400 x 938 x 875)	
Net Weight	lb (kg)	66 (30)	
		82 (37)	

OUTDOOR DIMENSIONS & WEIGHT			
Net (H x W x D)	in	24 - 1/2 x 31 - 3/32 x 11 - 11/32	
	mm	620 x 790 x 290	
Gross (H x W x D)	in	28 - 1/16 x 37-7/32 x 15 - 9/16	
	mm	713 x 945 x 395	
Net Weight	lb (kg)	84 (38)	
		93 (42)	

**Warranty Information**



7 Year Compressor, 5 Year Parts out-of-the-box Warranty



10 Year Compressor, 10 Year Parts Warranty when registered within 30 days of installation in a residence



12 Year Compressor, 12 Year Parts Warranty when registered within 30 days of installation in a residence, and installed by a Fujitsu Elite contractor

**ACCESSORIES**

UTY-RNRUZ2	Wired Remote Control (Touch Screen)
UTY-RVNUM	Wired Remote Control
UTY-RSRY	Simple Remote Control
UTY-LBTUM	IR Receiver Kit
UTY-TTRX	Third Party Thermostat Adapter
UTY-TFSXZ2	WiFi Module
UTY-XSZX	Remote Sensor



This system combination is Energy Star qualified



Indoor Unit ETL#: 3170288  
 Outdoor Unit ETL#: 91987

Effective Date: 2/5/2019

Version 12RGLXD -2018A

Due to continuous product improvements, specifications are subject to change without notice. Please log in to the Fujitsu Portal for the most up-to-date documentation <https://portal.fujitsugeneral.com>

**Inverter Driven Heat Pump**

**12,000 BTU Mid Static ducted**

FAN DATA				
Indoor Unit Airflow Rate	Cooling	High	CFM (m3/h)	500 (850)
		Medium		400 (680)
		Low		347 (590)
		Quiet		300 (510)
	Heating	High		500 (850)
		Medium		400 (680)
		Low		347 (590)
		Quiet		300 (510)
Outdoor Unit Airflow Rate	Cooling		794 (1350)	
	Heating		989 (1680)	
SOUND PRESSURE				
Indoor Unit	Cooling	High	dB (A)	35
		Medium		30
		Low		27
		Quiet		24
	Heating	High		35
		Medium		30
		Low		27
		Quiet		24
Outdoor Unit	Cooling		44	
	Heating		49	
REFRIGERANT				
Type	R410A			
Charge	lb oz	2lbs.10oz.		
	g	1		
Oil Type	FREOL α68SZ			

ELECTRICAL SPECIFICATIONS				
Voltage/Frequency/Phase			208-230V/60Hz/1	
Voltage Range			187-253 V	
Current	Cooling	Rated	A	3.9
	Heating	Rated		5.3
Maximum Operating Current		Cooling		9.4
	Heating	10.9		
Starting Current			4.1	
MCA			13.4	
Maximum Circuit Breaker			15	
Input Power	Cooling	Rated	kW	0.89
		Min.-Max.		0.12-1.45
Heating	Rated	1.2		
	Min.-Max.	0.14-1.84		
Power Factor	Cooling		%	99.2
	Heating			98.4
OTHER				
Moisture Removal		pints/h (L/h)		1.5 (0.7)
Energy Star		YES		
Drain hose	Material		PVC	
Size	in (mm)		Ø 13/16 (20.7) [I.D.], Ø 1-1/16 (26.6) [O.D.] (VP25)	
	Operation Range	Cooling	°F (°C) 64 to 90 (18 to 32)	
		%RH 80 or less		
Heating	°F (°C)		60 to 86 (16 to 30)	
	Static Pressure Range		in. WG	0.12 - 0.80
		Pa	30 - 200	

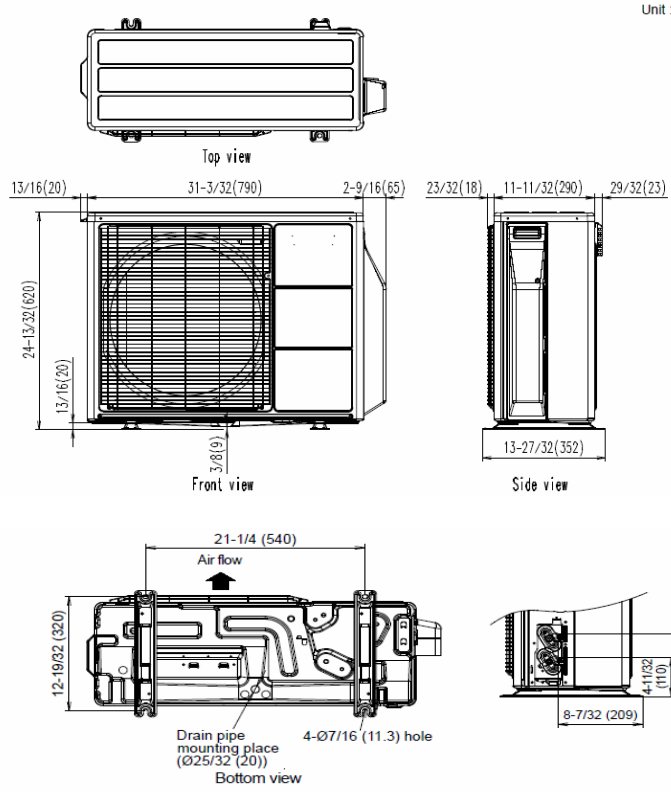
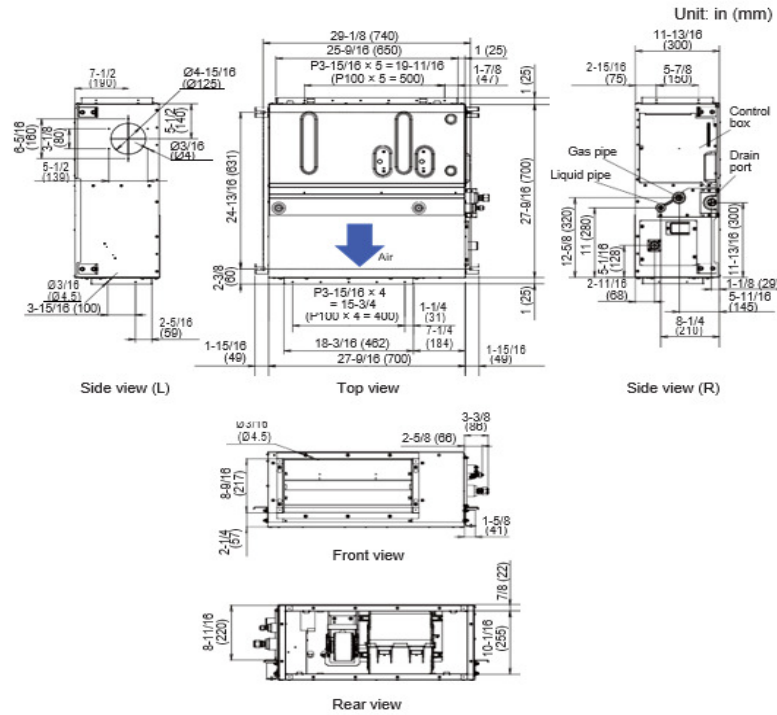
The Fujitsu logo is a worldwide trademark of Fujitsu General Limited. The Halcyon logo and name is a worldwide trademark of Fujitsu General Limited and is a registered trademark in Japan, the USA and other countries or areas. Copyright 2018 Fujitsu General America, Inc. Fujitsu's products are subject to continuous improvements. Fujitsu reserves the right to modify product design, specifications and information in this brochure without notice and without incurring any obligations.

Note: Specifications are based on the following conditions:  
 Cooling: Indoor temperature of 80°F (26.7°C) DB/67°F (19.4°C) WB, and outdoor temperature of 95°F (35°C) DB/75°F (23.9°C) WB. Heating: Indoor temperature of 70°F (21.1°C) DB/60°F (15.6°C) WB, and outdoor temperature of 47°F (8.3°C) DB/43°F (6.1°C) WB. Pipe length: 25ft. (7.5m), Height difference: 0ft. (0m) (Outdoor unit - indoor unit).

**Inverter Driven Heat Pump**

**12,000 BTU Mid Static ducted**

**DIMENSIONS**



The Fujitsu logo is a worldwide trademark of Fujitsu General Limited. The Halcyon logo and name is a worldwide trademark of Fujitsu General Limited and is a registered trademark in Japan, the USA and other countries or areas. Copyright 2018 Fujitsu General America, Inc. Fujitsu's products are subject to continuous improvements. Fujitsu reserves the right to modify product design, specifications and information in this brochure without notice and without incurring any obligations.

Note: Specifications are based on the following conditions:  
 Cooling: Indoor temperature of 80°F (26.7°C) DB/67°F (19.4°C) WB, and outdoor temperature of 95°F (35°C) DB/75°F (23.9°C) WB. Heating: Indoor temperature of 70°F (21.1°C) DB/60°F (15.6°C) WB, and outdoor temperature of 47°F (8.3°C) DB/43°F (6.1°C) WB. Pipe length: 25ft. (7.5m), Height difference: 0ft. (0m) (Outdoor unit - indoor unit).