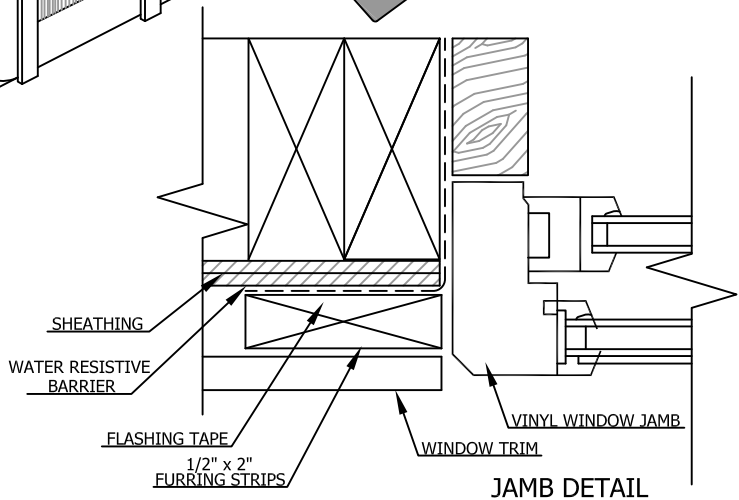
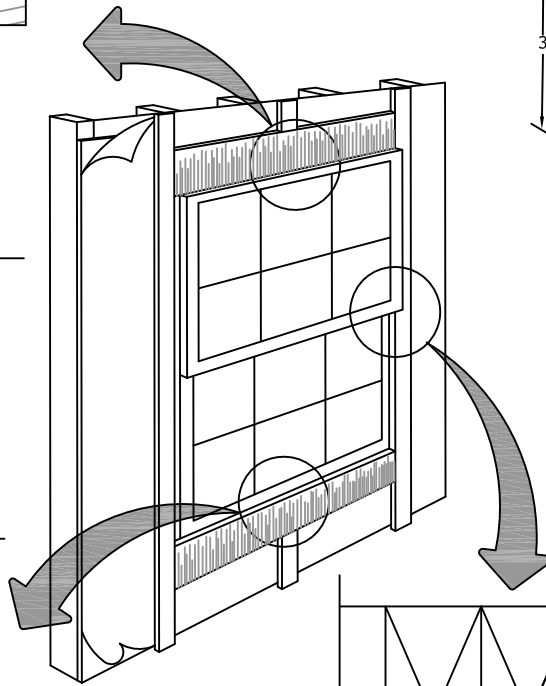
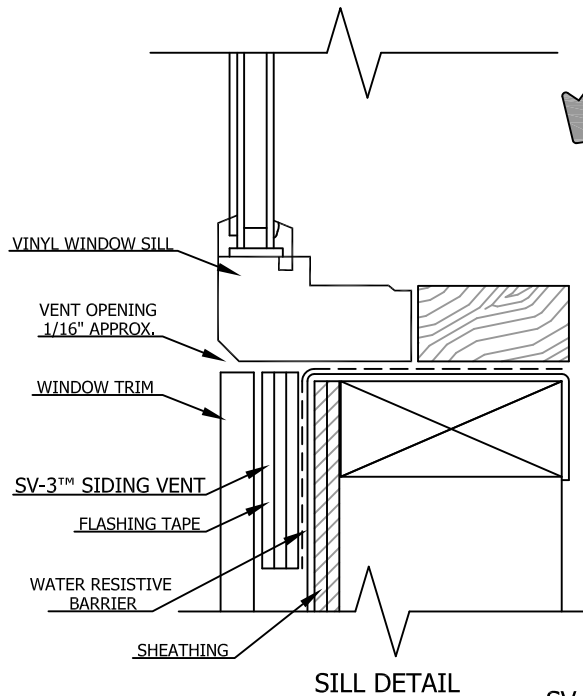
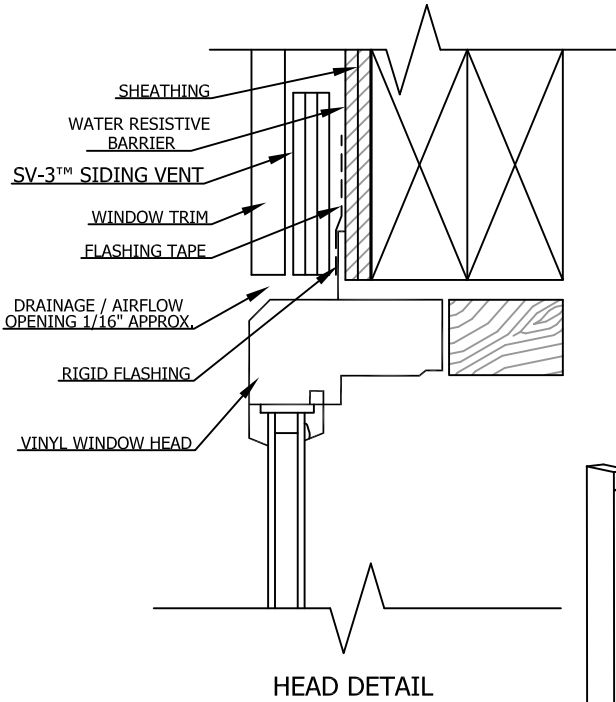
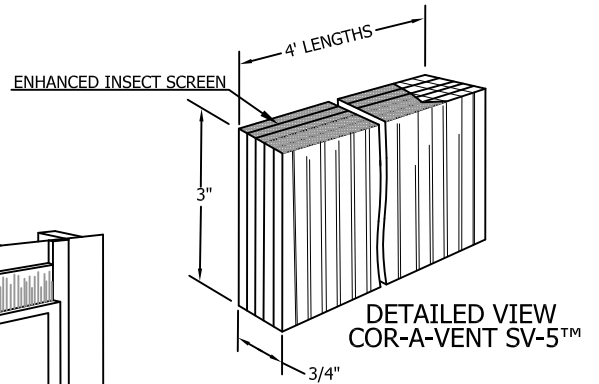
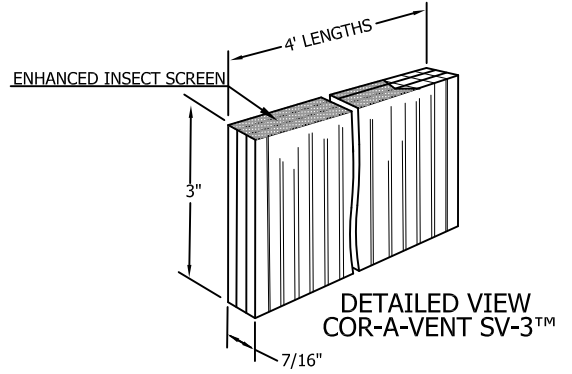


COR-A-VENT VENTILATION DETAILS USING SV-3™ OR SV-5™ WITH VINYL WINDOWS



NOTE: DRAWING DETAILS SHOW SV-3™. WHEN USING SV-5™ FURRING STRIPS WILL BE 3/4" x 2".



SV-3™ & SV-5™ FEATURES

- CRUSH RESISTANT EXTRUDED POLYPROPYLENE CORE
- FLUTED AIRWAYS PROVIDE MAXIMUM AIRFLOW
- ENHANCED INSECT SCREEN

"This material may be duplicated only for the purposes of specifying Cor-A-Vent products. No permission is given to duplicate or otherwise copy this material for any other purpose without the express written permission of Cor-A-Vent Inc."

©2015 COR-A-VENT, INC.

COR-A-VENT, INC. P.O. BOX 428, MISHAWAKA, IN 46546-0428 800-837-8368		
SCALE: N.T.S.	APPROVED BY: G. SELLS	DRAWN BY: BM
DATE: 4/28/15		
COR-A-VENT VENTILATION DETAILS USING SV-3™ OR SV-5™ WITH VINYL WINDOWS		
ARCHITECT REFERENCE DRAWING	DRAWING NUMBER COR-SVC	