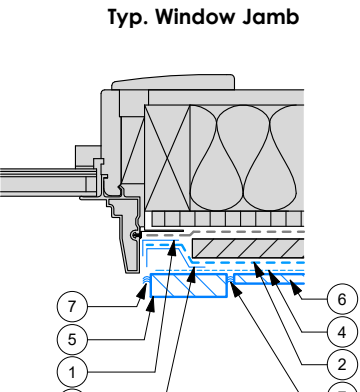
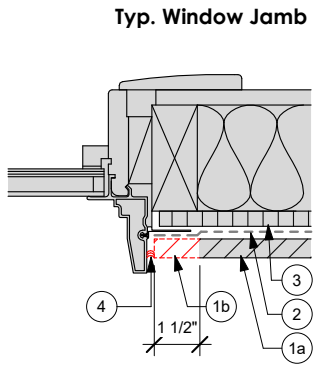
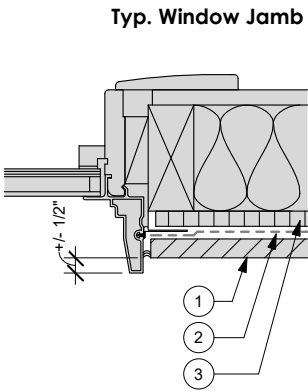
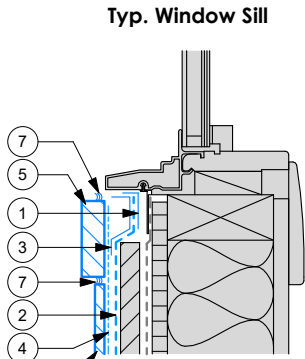
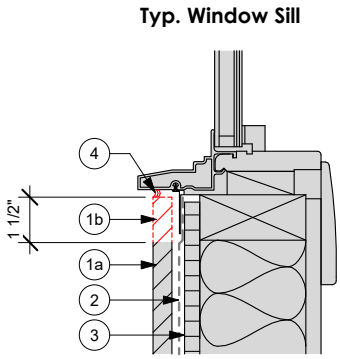
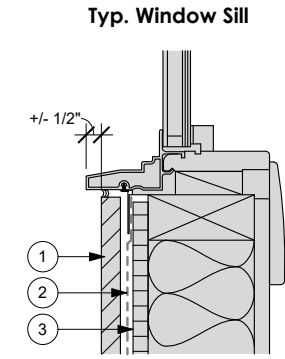
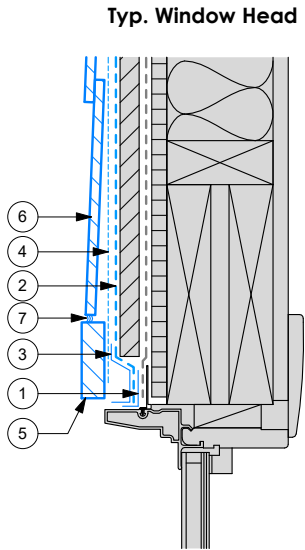
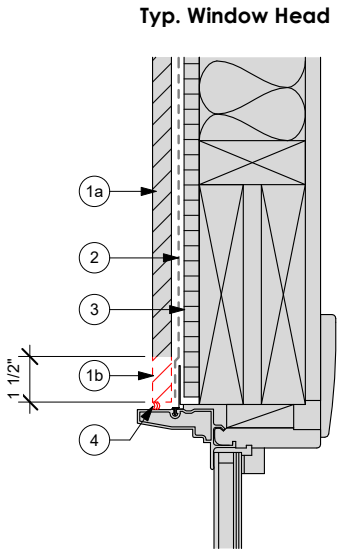
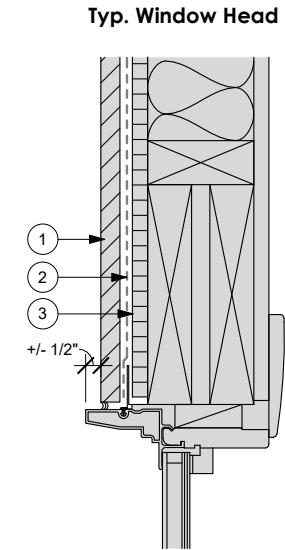


Existing Conditions

Demolition (Red=Demo)

Re-Siding Option A (Blue=New)



- 1. Painted 5/8"-thick T1-11 wood siding.
- 2. Possible asphalt-impregnated felt layer.
- 3. Possible 1/2"-thick foil-faced XPS rigid insulation.

- 1a. Repair or replace existing T1-11 as needed, where warped, rotted, damaged, etc. Replace w/ equal thickness CDX plywood or equivalent.
- 1b. Remove strip of existing wood sheathing (set saw cut depth to match sheathing thickness).
- 2. Existing felt layer (if present) to remain.
- 3. 1/2" Foil-faced XPS insulation (if present) to remain.
- 4. Remove existing caulking and backing rod (if present).

- 1. Double-sided flashing tape (full adhesion, both faces).
- 2. WRB (extend to window frame).
- 3. Flexible flashing tape (conventional, 1-sided) (**possibly omit this**).
- 4. Rainscreen matrix.
- 5. Fiber-cement trim (5/4 x 3).
- 6. Fiber-cement lap siding (7-1/4" exposure).
- 7. Caulking.