

38' - 7 3/8" F1

Face of 2x Furring

4  
R1

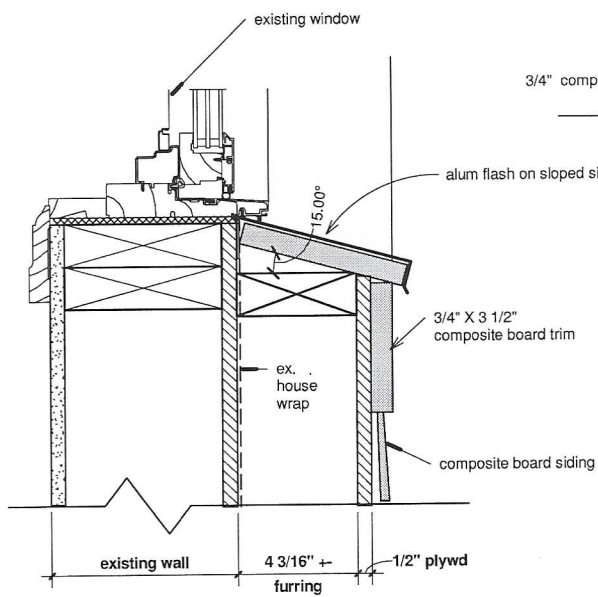
Detail Notes (Composite - Hardie or Smart Siding)

- F1 Adjust 4 3/16"± furring dimension as needed to achieve overall face of furring dimensions on plan
- F2 proposed furring shown darkened on plan
- F3 Composite board siding on 1/2" plywood sheathing on 2x furring - align furring with existing wall studs - repair or replace existing house wrap as required
- F4 Siding vent (core-a-vent or EQ) Provide at top and bottom of furring space - allow 1/4" space for venting

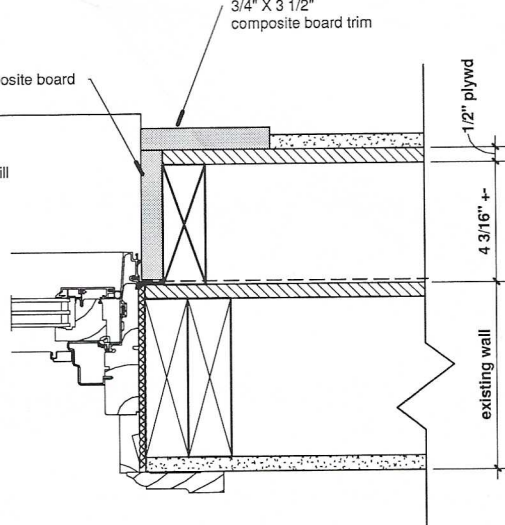
EXISTING GARAGE



① SIDING PLAN  
1/4" = 1'-0"



SILL DETAIL



JAMB DETAIL

④ WINDOW DETAIL  
3" = 1'-0"