

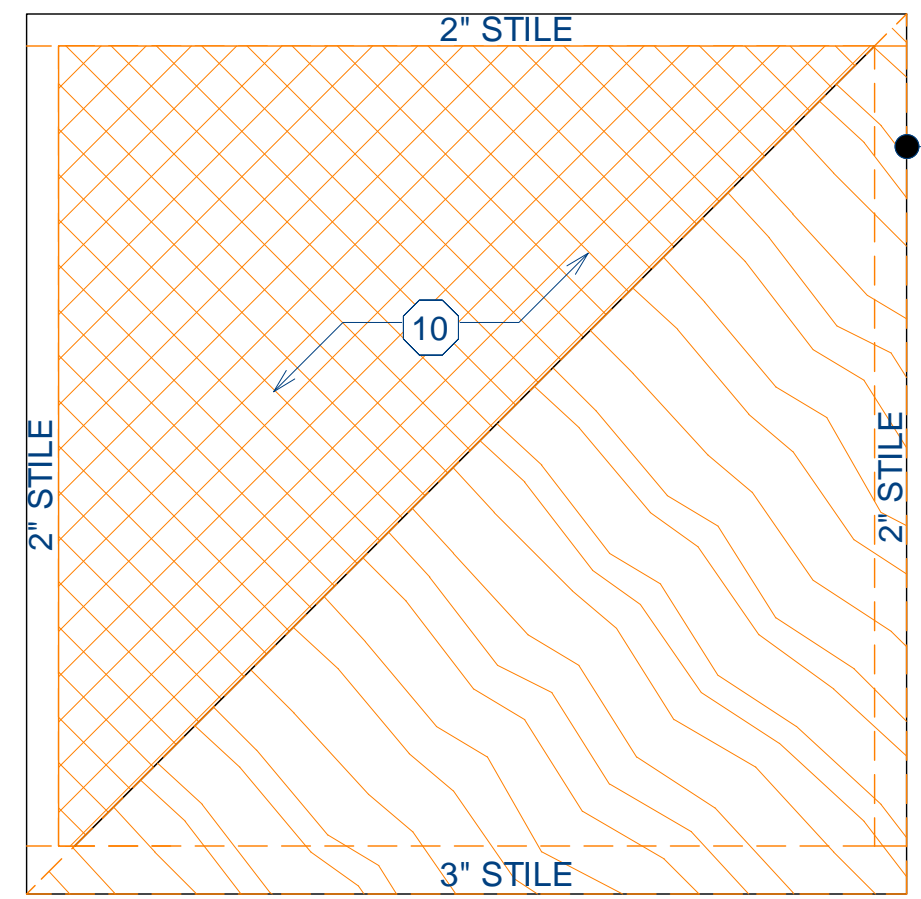
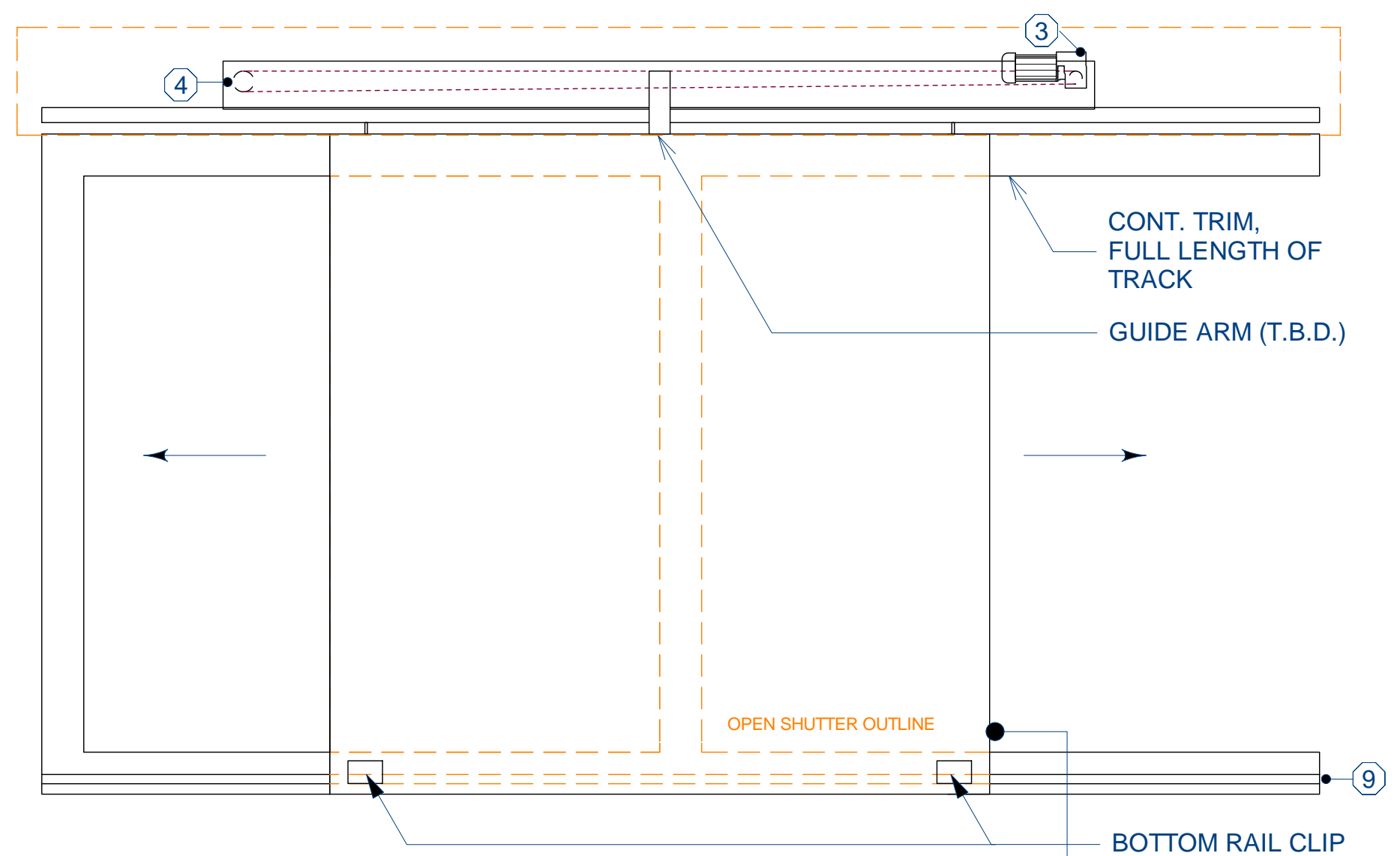
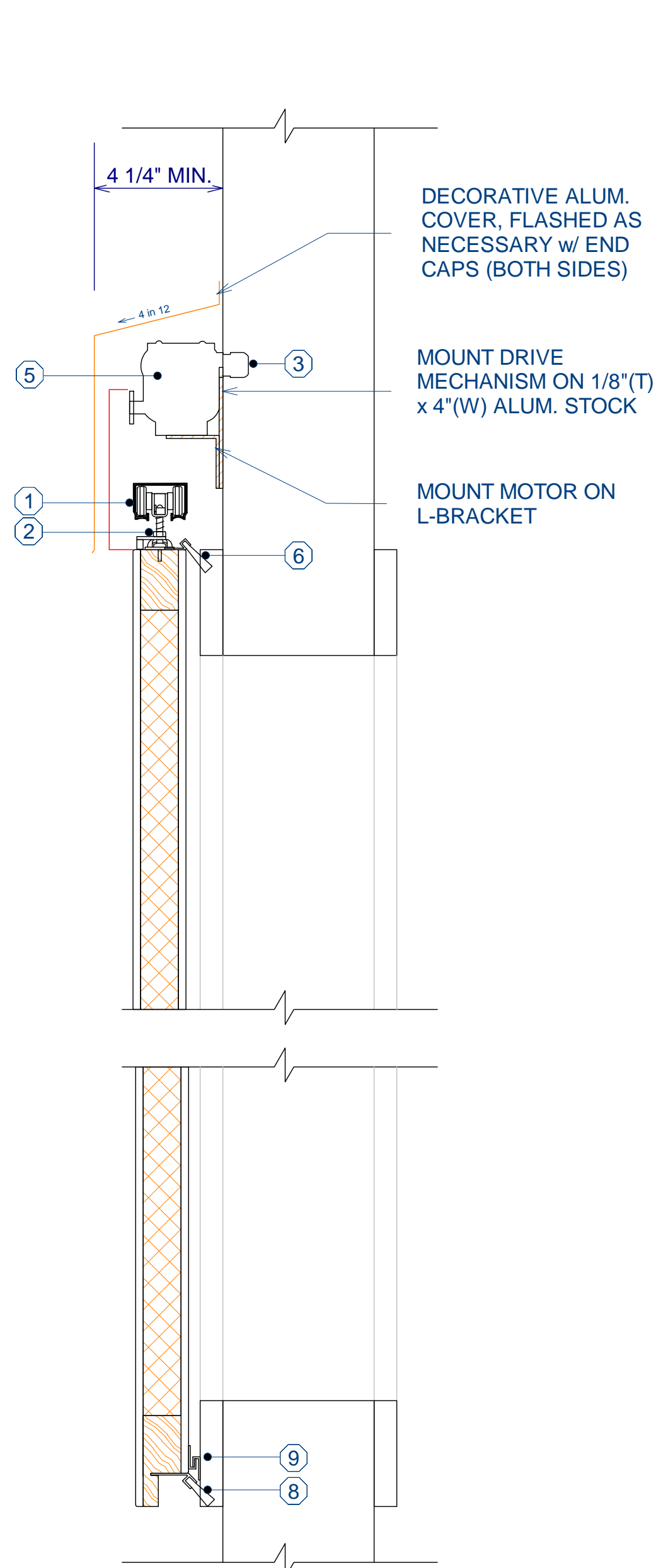
MATERIAL DETAILS

<p>① TRACK</p> <p>JOHNSON, U-TRACK, SINGLE TRACK, ALUMINUM, 200lb WEIGHT LIMIT NO. JOH 100A HANGING DOOR HARDWARE</p>	
<p>② TRACK ROLLER</p> <p>JOHNSON, U-TRACK ROLLER ASSEMBLY, 1" (D) WHEELS, 200lb WEIGHT LIMIT NO. J1125 HANGING DOOR HARDWARE</p>	
<p>③ MOTOR</p> <p>WORM GEAR MOTOR, UL/CSA NO. BC2000/M 80 B3 115V 60 MINI MOTOR USA, INC.</p>	
<p>④ IDLER SPROCKET</p> <p>BALL BEARING, (20) HARDENED TEETH 1.73" O.D. NO. 25BB20 3/8 MARTIN SPROCKET</p>	
<p>⑤ DRIVE SPROCKET</p> <p>B STYLE 1.083" O.D. NO. 25B12 MARTIN SPROCKET</p>	
<p>⑥ BRUSH MOUNT SEAL</p> <p>REVERSE ANGLE 45(DEG) NO. 245R.69100 VECTERS BRUSH</p>	
<p>⑦ BRUSH MOUNT SEAL</p> <p>STRAIGHT MOUNT BRUSH SEAL NO. 200.87050 VECTERS BRUSH</p>	
<p>⑧ BRUSH MOUNT SEAL</p> <p>ANGLE MOUNT BRUSH SEAL 40(DEG) NO. 240.5081 VECTERS BRUSH</p>	
<p>⑨ ANODIZED ALUMINUM CAP</p> <p>NO. MD A - 401 M-D BUILDING PRODUCTS</p>	
<p>⑩ VACUUM INSULATION PANELS (VIP)</p> <p>1 1/4"(T) R-60 INSULATION VALUE MATERIAL THERMAL CONDUCTIVITY: (0.020 BTU-IN/FT²-HR-F) OR (2.88 MW/M-K) THERMAL VISIONS THRESHOLD</p>	

THE ARCTIC SHUTTER – THERMAL WINDOW SHUTTER FOR COLD CLIMATES

HIGH PERFORMAMNCE MOTORIZED EXTERIOR WINDOW INSULATION SHUTTER SYSTEM WITH R-60 INSULATION CORE AND WEATHER RESILIENT CONSTRUCTION

- VERY LOW THERMAL CONDUCTIVITY AND LIGHTWEIGHT CONSTRUCTION
- HIGHEST INSULATION VALUE WITH VACUUM INSULATED CORE PANELS AT R-60 PERFORMANCE
- FULL WEATHER STRIP SEALING
- TEMPERATURE STABLE CONSTRUCTION WITH THE USE OF ENGINEERED WOOD AND LAMINATION PROCESS
- HIGH PERFORMANCE REVERSABLE 115V MICRO MOTOR



NOTES:
1) PROVIDE 2"(W) x 1 1/4"(D) STILES @ TOP AND SIDES AND 3"(W) x 1 1/4"(D) STILE @ BOTTOM. STILES TO BE COMPOSITE MATERIAL.
2) SANDWICH VIP w/ (2) 1/4"(T) PLY SKINS. PROVIDE FULL ADHESIVE SEALANT @ STILES AND 1/16"(R) ROUNDOVER (ALL EXPOSED EDGES.) FINISH COAT TO BE NON-V.O.C. EPOXY FINISH.

Project:

The ARCTIC Shutter

ArcticSun, LLC
1050 Deere St., Fairbanks, Alaska 99709
Phone 907-457-1297
Fax 907-457-3397
Email info@arcticsun-llc.com

REINA LLC

Design by: Thorsten Chlupp Sheet No.:

Scale: 1" = 1'-0" U.N.O. 1 of 1

Date: 4/22/13