

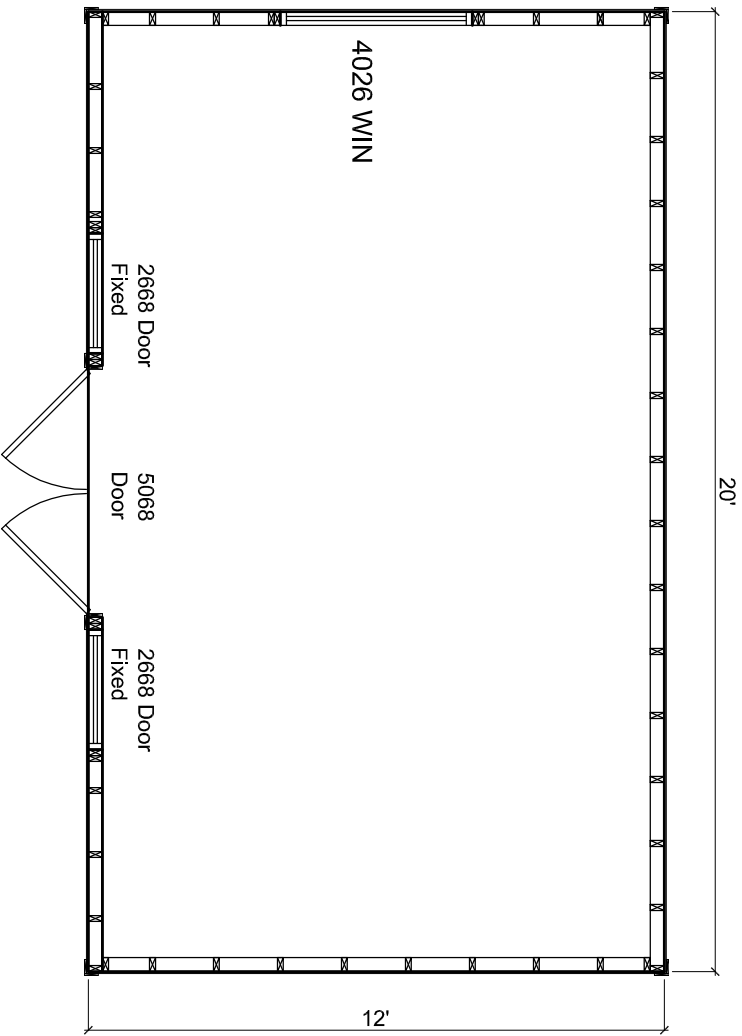
12X20 Studio Shed Plans - S1

Please view and download the HOW TO BUILD A SHED tutorial at <http://www.icreatables.com/sheds/how-to-build-a-shed-how-to-build-a-shed-download.html>

Copyright © 2015 BIG IDEA DESIGNS. All rights reserved. To read our License agreement and Legal Disclaimer please visit our website and click on the terms button at the bottom of the page in our Shed Plans section or read it in the How To Build a Shed Instructions from icreatables.com. All images and information contained in these plans are copyrighted and may not be distributed, modified or reproduced in whole or in part without the prior consent of Big Idea Designs, Inc. These plans are for personal, non commercial use only. These plans are for single use. User of these plans should contact a local structural engineer, architect or government building official to verify that the Plans and other Building Documents meet local code requirements and site conditions.

**DRAWING INDEX**

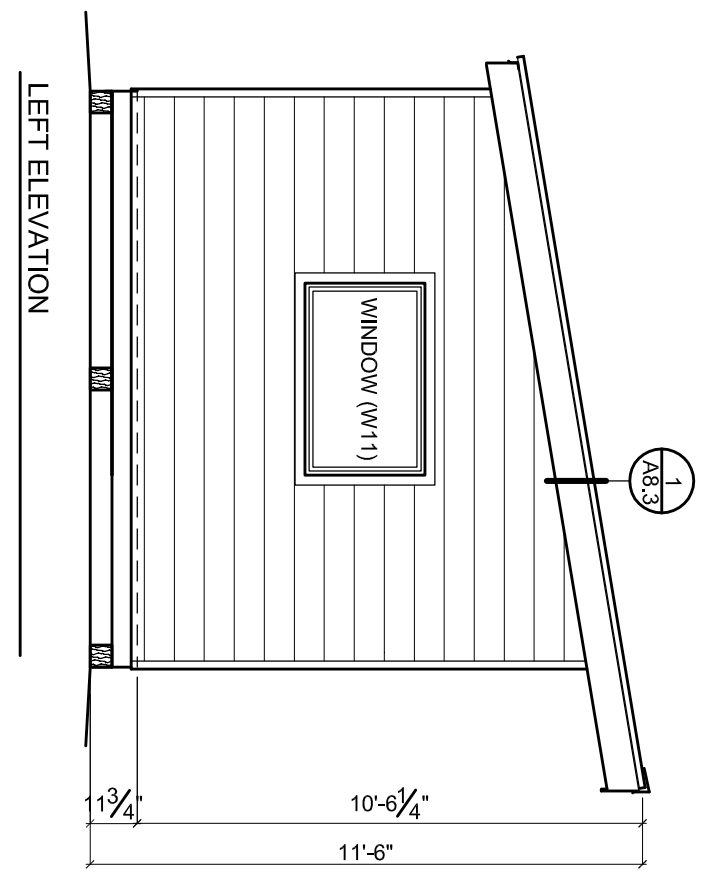
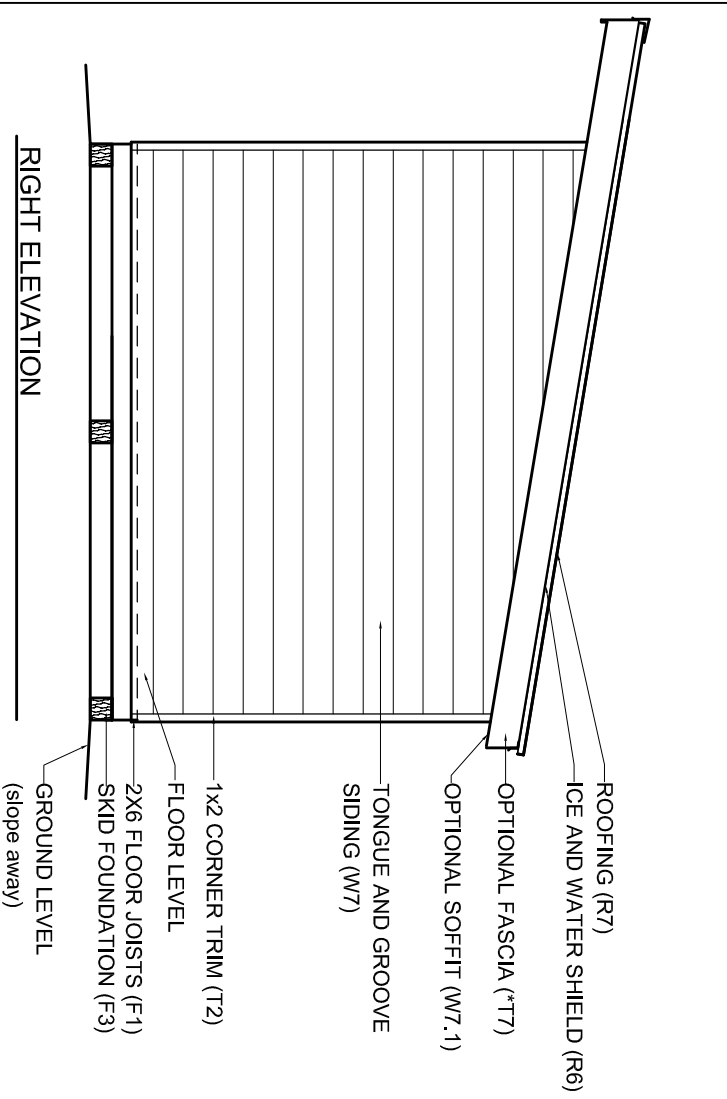
Page 1	Title Sheet
Page 2	Floor Plan
Page 3	Exterior Elevations
Page 3.1	Exterior Elevations
Page 4	Skid Foundation Plan
Page 4.1	Conc. Foundation Plan
Page 5	Floor Framing Plan
Page 5.1	Floor Sheeting Plan
Page 6	Wall Framing Plans
Page 6.1	Wall Framing Plans
Page 7	Roof Framing Plan
Page 7.1	Truss Details
Page 7.2	Birdsmouth Template
Page 8	Section
Page 8.1	Section
Page 8.2	Details
Page 8.3	Details



**FLOOR PLAN**

1/4" = 1'-0" See wall framing plans for stud layout and material take off.

**Floor Plan 2**



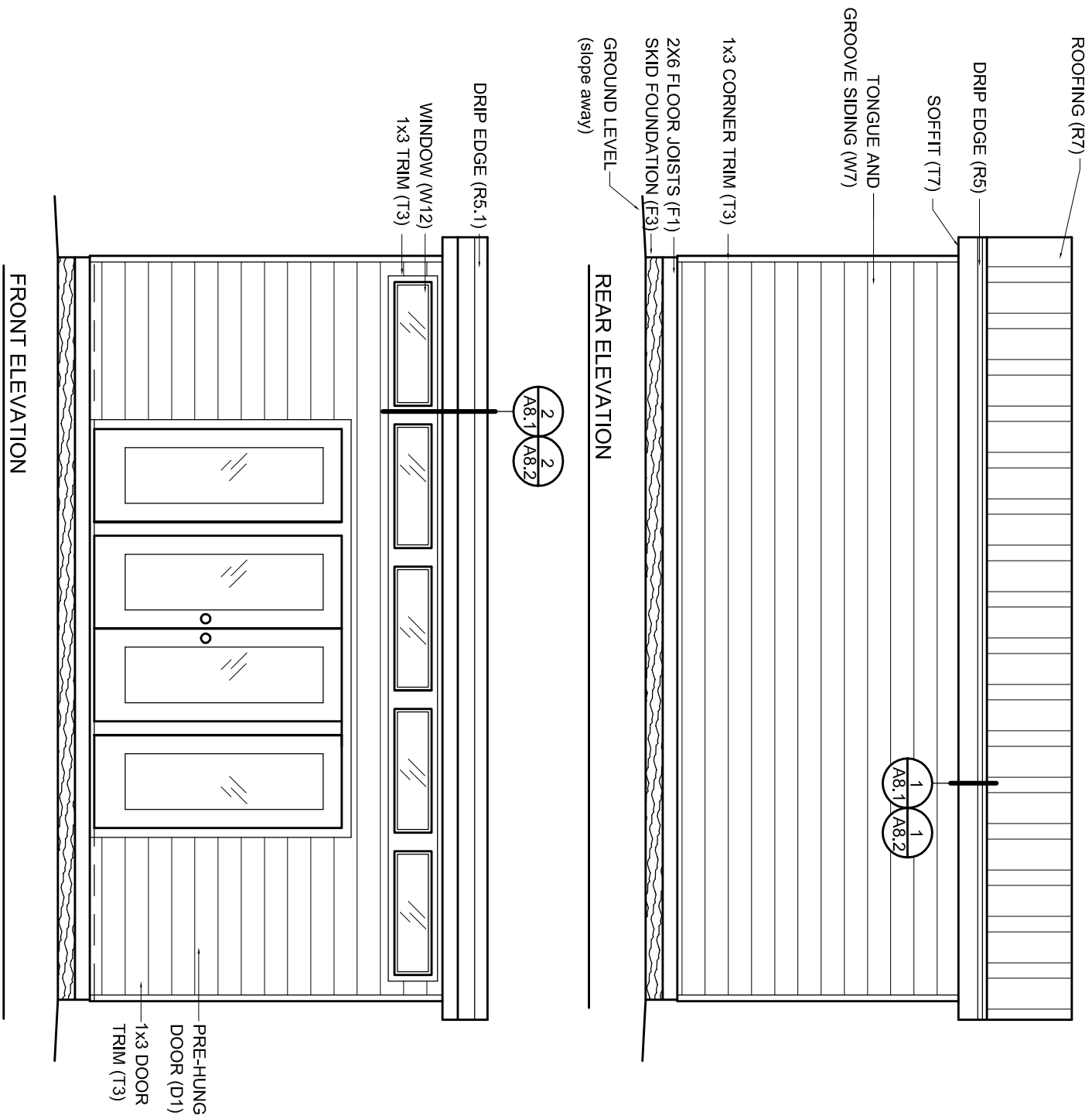
**SIDING AND ROOFING MATERIALS**

CODE	DESCRIPTION	LENGTH	QTY.
W7*	1x8 Tongue and Groove Siding	600 s.f.	4
W7.1	Optional Plywood Soffit	4x8x1/2"	4
T3	1x3 Trim, 3/4" x 2 1/2"	10'-0"	18
T7*	Optional 1x7 Trim, used with soffit	14'-0"	7
R5	1 1/2" x 1 1/2" Drip Edge	10'-0"	6
R5.1	Metal Drip Edge. Verify with roofing type	4"x4"x10'-0"	3
R6	Ice and Water Shield	322 sf.	3
R7	PBR Corrugated metal roofing	15'-4"	7
R7*	Asphalt Shingle Option	322 s.f.	3.3 Squares
R11	Corrugated roofing closure strip	10'-0"	5
W8	Vapor Barrier (house wrap)	600 s.f.	1
W11	4026 Awning Window (site verify)	4'-0" x 2'-6"	1
W12	3410 Fixed Window	3'-4" x 1'-0"	5

- D1 Pre-Hung Door per owner
- D2 Pre-Hung Fixed Door

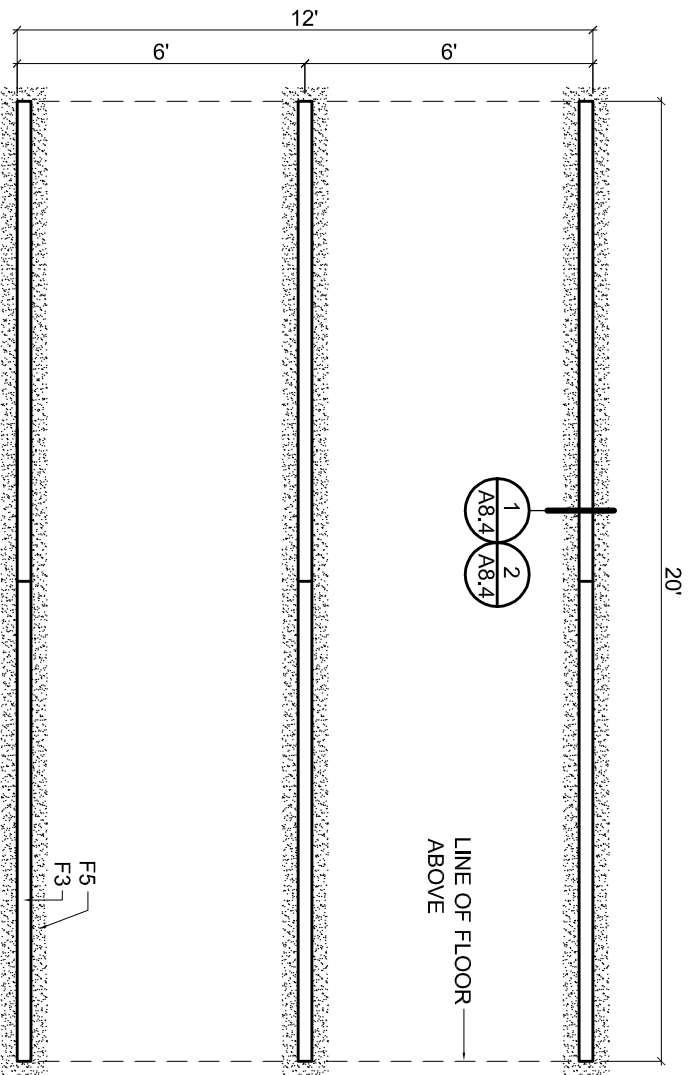
\*R7 Verify low slope application for asphalt shingles when used.  
 \*W7 Siding may be replaced with sheet siding materials.  
 \*T7 Optional textured plywood or metal fascia and soffit may be installed. See note on Roof Sheeting Plans.

Ramp or stair materials are not shown



FRONT ELEVATION

Exterior Elevations 3.1



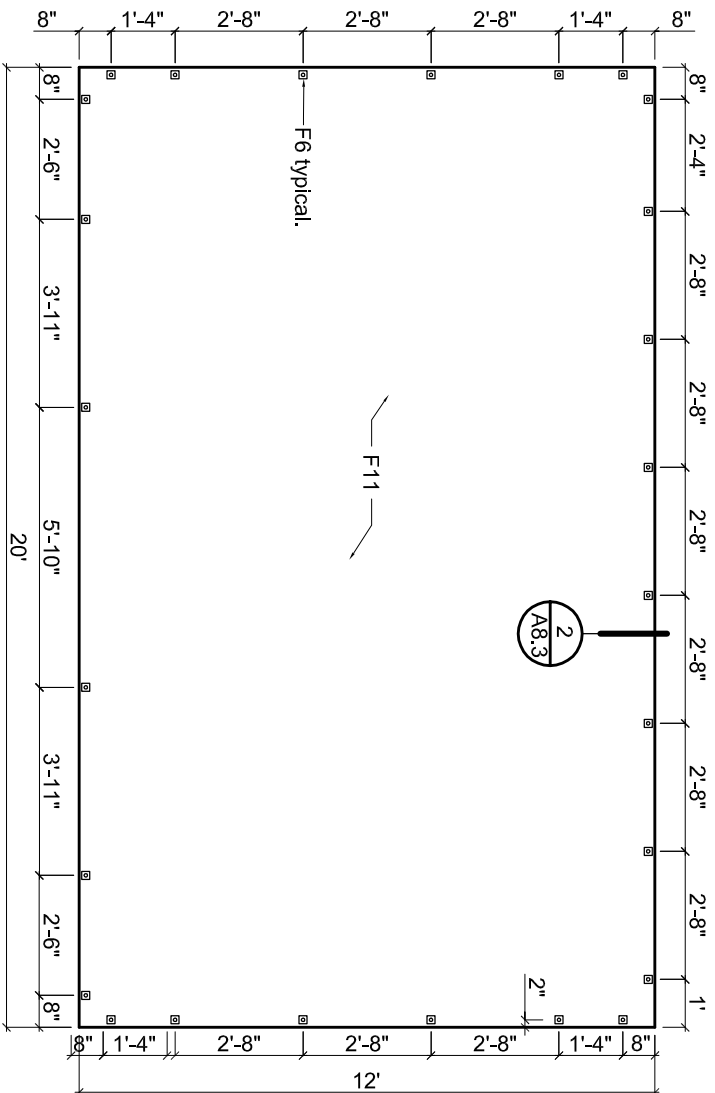
**FOUNDATION RAIL FRAMING PLAN**  
1/2" = 1'-0"

**FOUNDATION MATERIALS**

CODE	DESCRIPTION	LENGTH	QTY.
F3	4x6 Skid, treated	10'-0"	6
F5	1/2" Gravel		

**OPTIONAL GRAVEL BED FOUNDATION**

Shed floor may be constructed using a gravel bed and setting the floor joists directly on the gravel. The floor joists must be changed to Pressure treated wood joists or Steel joists. This Floor system will lower the shed floor height.  
 See How To Build A Shed eBook and detail in these plans for more information.



**CONCRETE SLAB FLOOR PLAN**

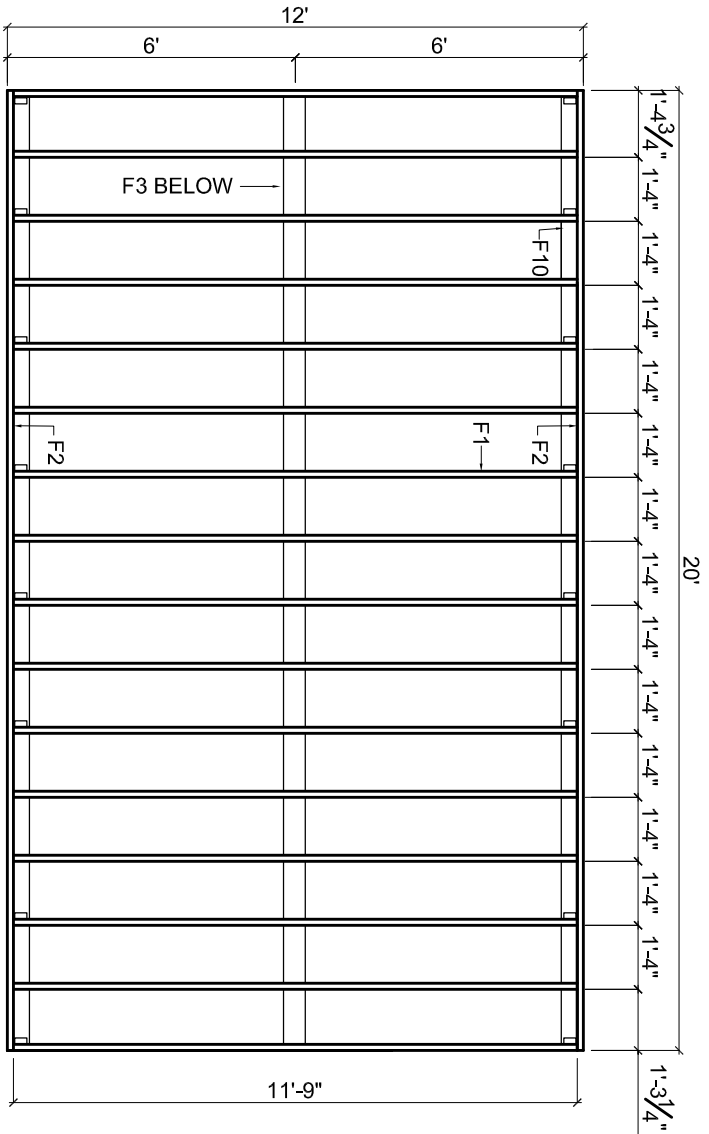
Bolt layout pattern will vary depending on door location. Verify door location and install a bolt within 12" of the door opening and not in the door opening.

**NOTES:**

1/2" x 10" ANCHOR BOLTS ARE TO BE PLACED AT 32" O.C. AND WITHIN 12" FROM ENDS MINIMUM.  
 -USING A CONCRETE SLAB INSTEAD OF A FRAMED FLOOR WILL LOWER THE FLOOR HEIGHT BECAUSE YOU ARE NOT INSTALLING 6" FLOOR JOISTS.  
 -CHECK LOCAL BUILDING REQUIREMENTS FOR FROST PENETRATION DEPTHS AND REQUIRED DEPTH OF FOOTINGS.

**FOUNDATION MATERIALS**

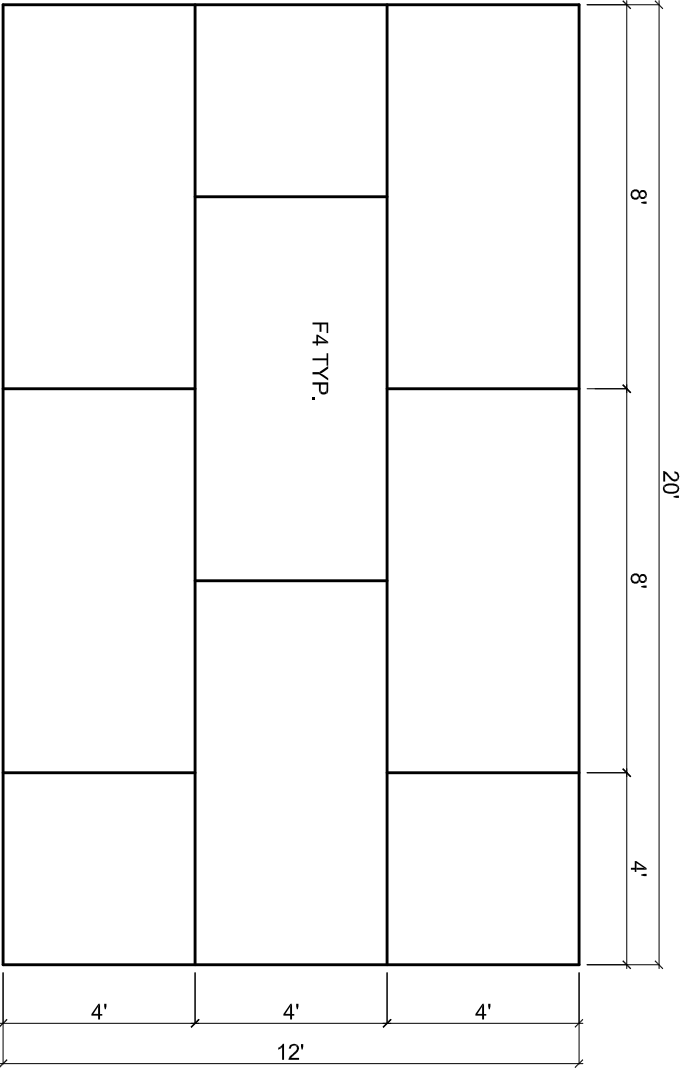
CODE	DESCRIPTION	LENGTH	QTY.
F5	1/2" Gravel		
F6	Anchor Bolt, Washer	1/2" x 10"	27
F-11	Concrete		



**FLOOR FRAMING PLAN**

**FLOOR FRAMING MATERIALS**

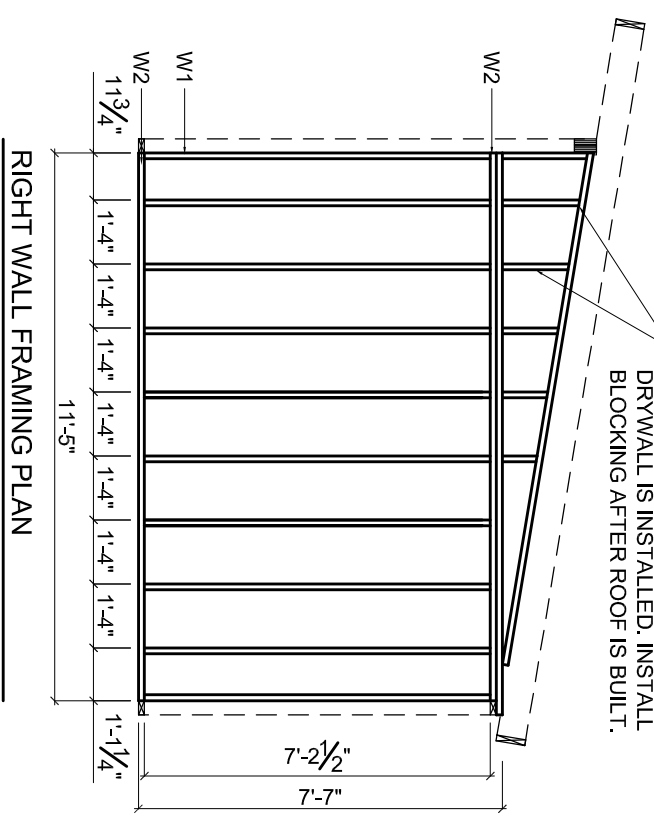
CODE	DESCRIPTION	LENGTH	QTY.
F1	2x6 Floor Joist	12'-0"	16
F2	2x6 Rim Joist	20'-0"	2
F4	Full Face O.S.B. T.&G.	4'x8'x $\frac{3}{4}$ "	9
F10	SIMPSON A23 CLIP		16



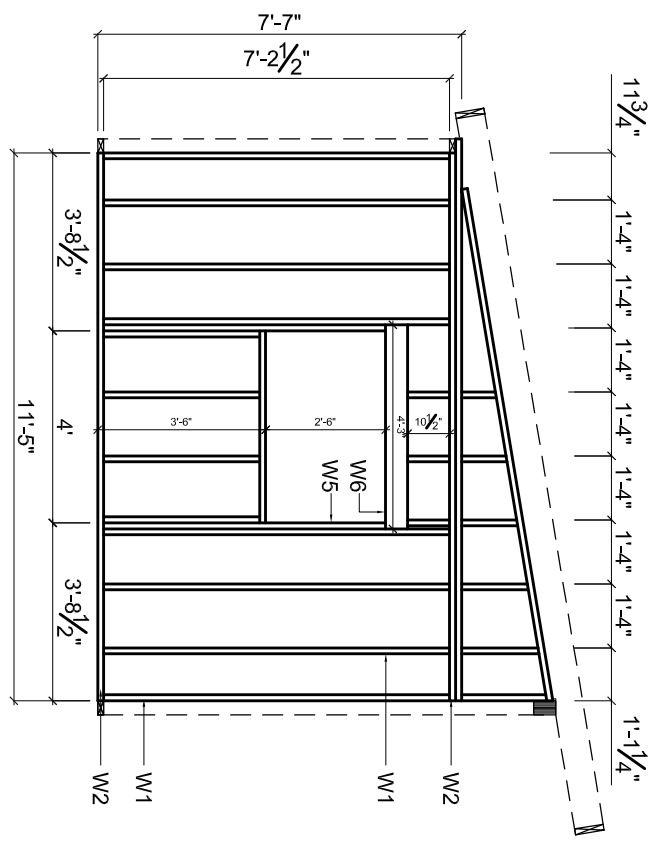
FLOOR SHEETING PLAN



BLOCKING USED WHEN INTERIOR DRYWALL IS INSTALLED. INSTALL BLOCKING AFTER ROOF IS BUILT.



RIGHT WALL FRAMING PLAN

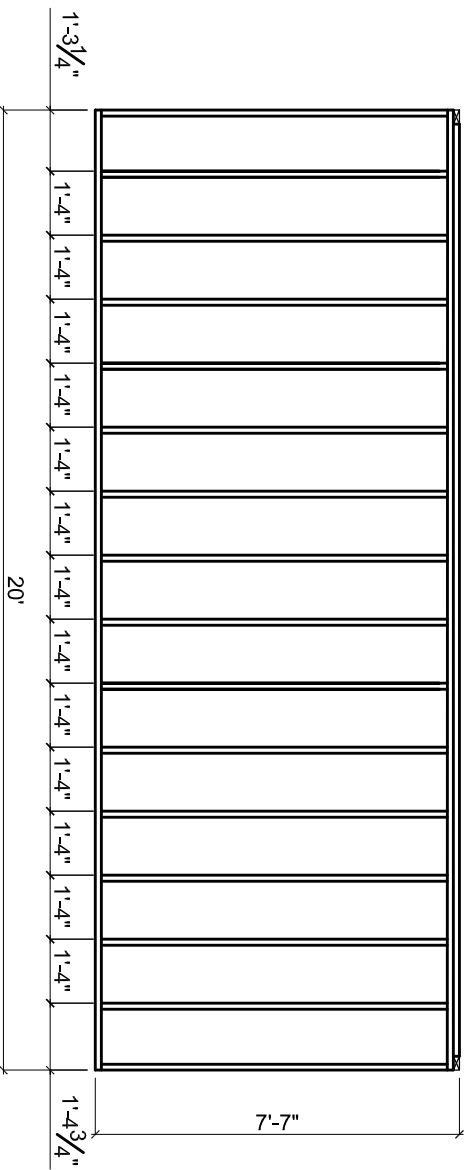
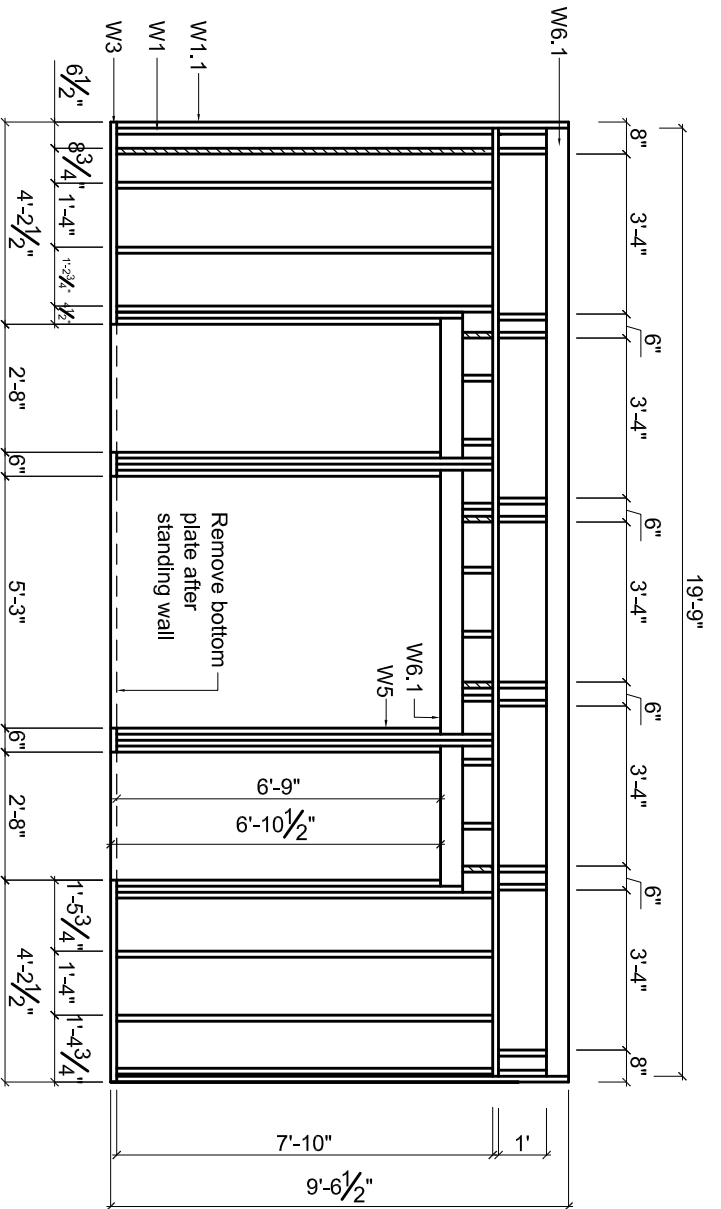


LEFT WALL FRAMING PLAN

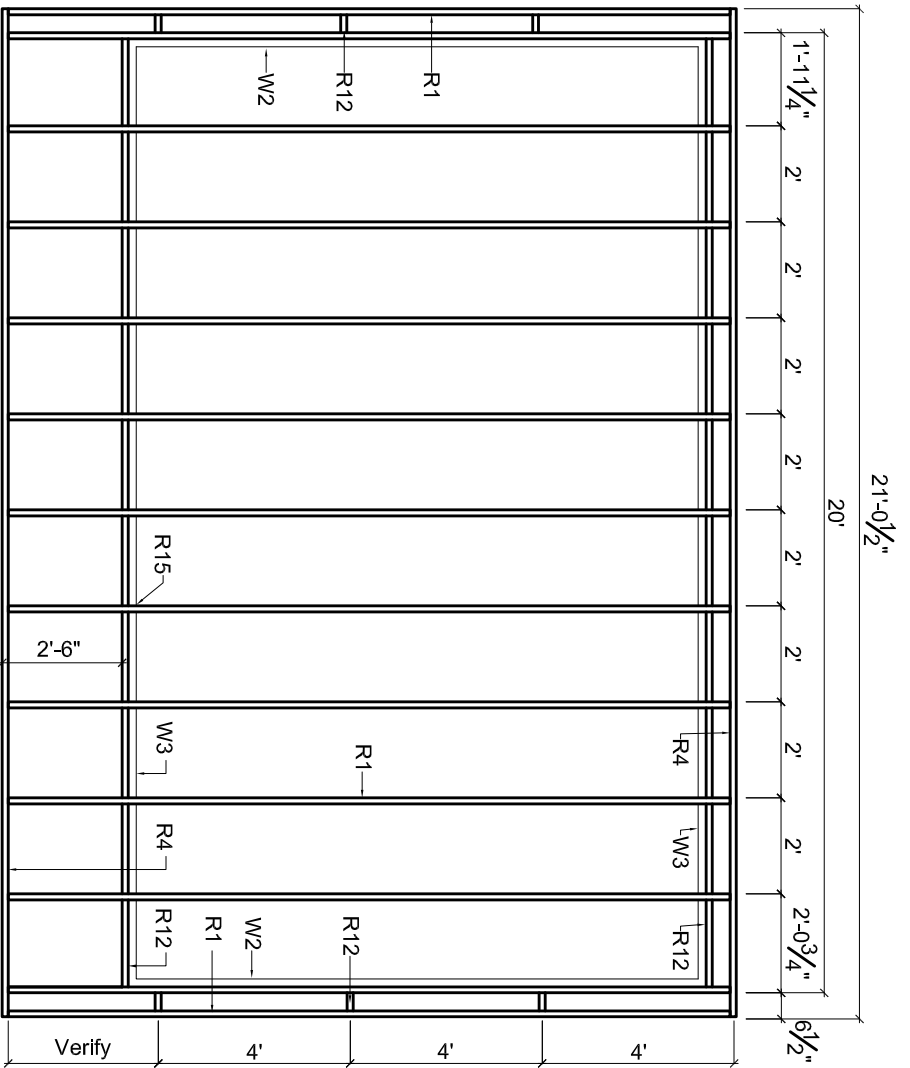
WALL FRAMING MATERIALS

CODE	DESCRIPTION	LENGTH	QTY.
W1	2x4 Wall Stud	8'-0"	56
W1.1	2x4 Wall Stud	10'-0"	2
W2	2x4 Wall Plate, Short	12'-0"	8
W3	2x4 Wall Plate, Long	20'-0"	5
W5	2x4 Trimmer	8'-0"	8
W6	2-2x6 Header	12'-0"	3
W6.1	2-1 3/4" x 5 1/2" LVL Header	20'-0"	2
W9	4x8 O.S.B. Sheeting	4'x8'x7/8"	18

Door Header:  
The door header is made by nailing together 2 - 2x6's with a piece of O.S.B. Sheeting between them. Put 2 nails every 6 inches and 2 inches from the ends.  
Wall Sheeting:  
-Install wall sheeting over wall framing as described in the plan notes.



REAR WALL FRAMING PLAN

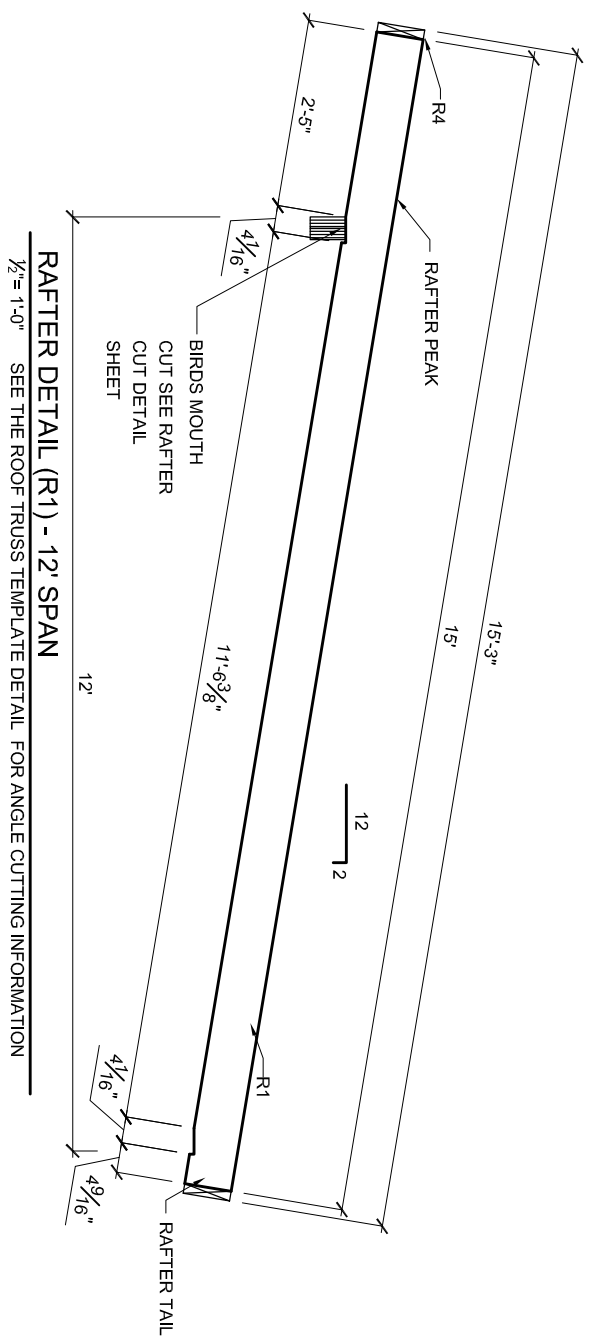


**ROOF FRAMING PLAN**

**ROOF FRAMING MATERIALS**

CODE	DESCRIPTION	LENGTH	QTY.
R1	2x8 Rafter	16'-0"	13
R2*	Plywood Roof Sheeting	4'x8'x 7/16"	12
R4	2x8 Fascia	12'-0"	4
R12	2x8 Blocking	10'-0"	4
R15	Simpson Hurricane Tie	H2.5	18

See exterior elevations for roofing materials.

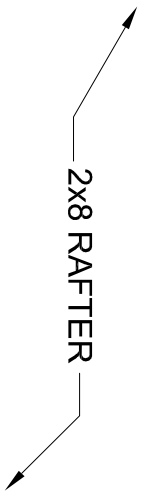


# Roof Rafter Details 7.1

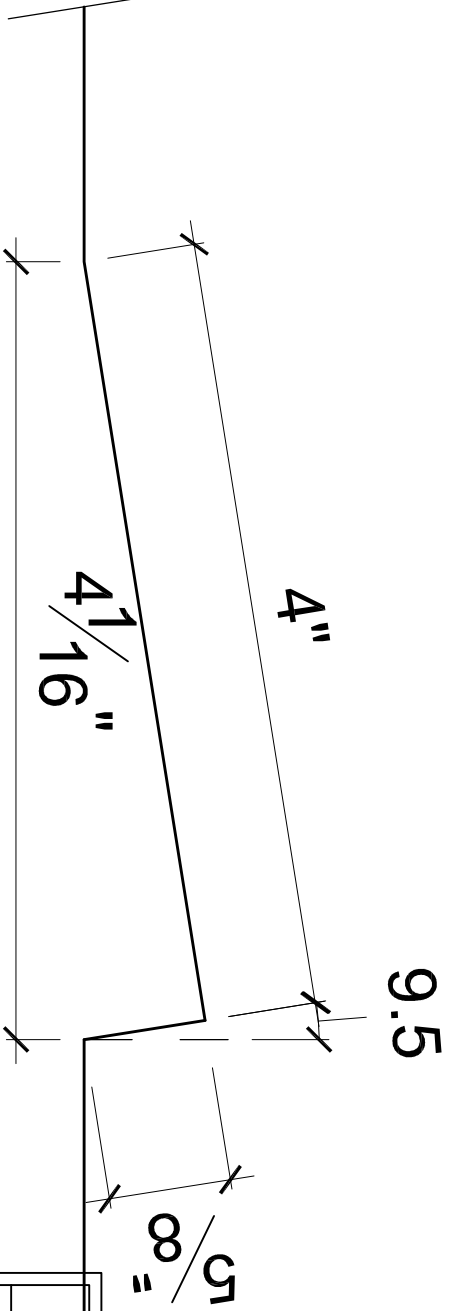
# 2 / 12 RAFTER BIRDSMOUTH TEMPLATE - MODERN SHED

CUT OUT TEMPLATE  
LAY TEMPLATE ON RAFTER TRACE BIRDSMOUTH AND  
CUT ALONG LINES  
BE CAREFUL TO FINISH BIRDSMOUTH CUT WITH COPING SAW

VERIFY THAT PRINTED DIMENSIONS ARE TO SCALE  
BEFORE USING TEMPLATE



NOTE: MAKE A BIRDSMOUTH CUT AT EACH END OF THE  
ROOF RAFTERS AS SHOWN ON THE RAFTERS DETAIL SHEET



CUT OUT TEMPLATE  
LAY TEMPLATE ON RAFTER TRACE  
BIRDSMOUTH AND  
CUT ALONG LINES  
BE CAREFUL TO FINISH  
BIRDSMOUTH CUT WITH COPING  
SAW

VERIFY THAT PRINTED  
DIMENSIONS ARE TO SCALE  
BEFORE USING TEMPLATE

2x8 RAFTER

4"

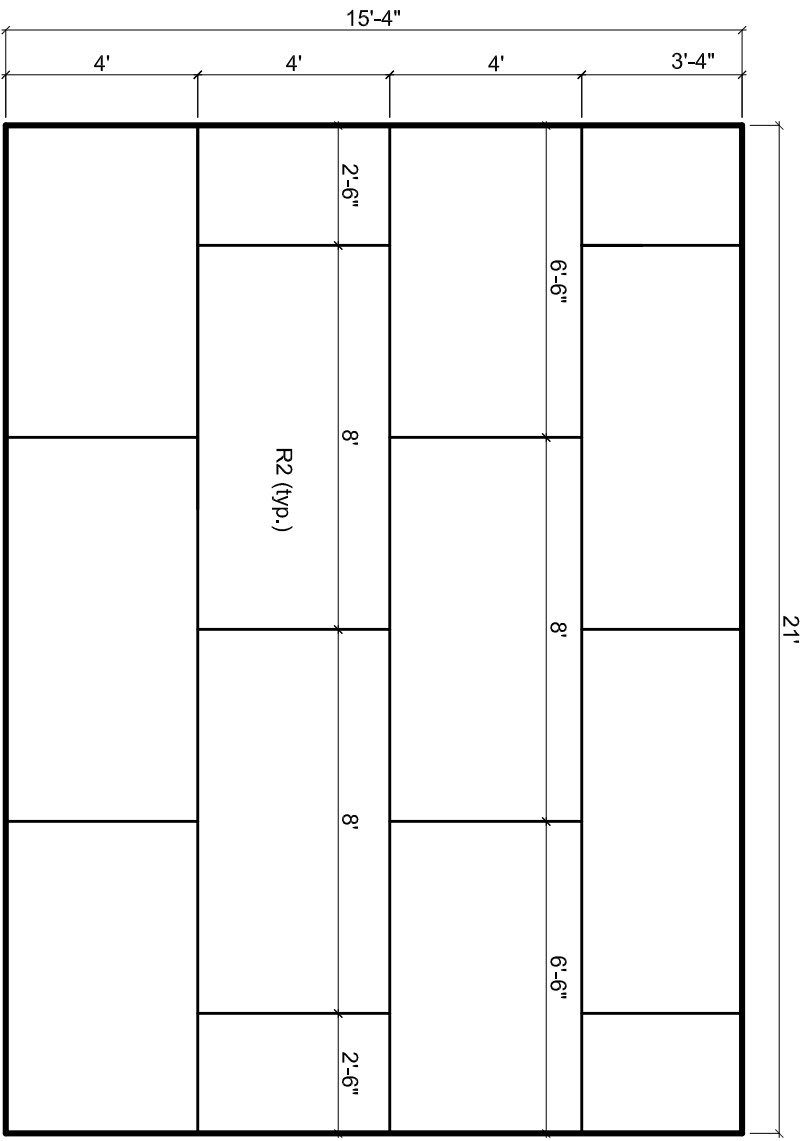
9.5

4 1/16"

5/8"

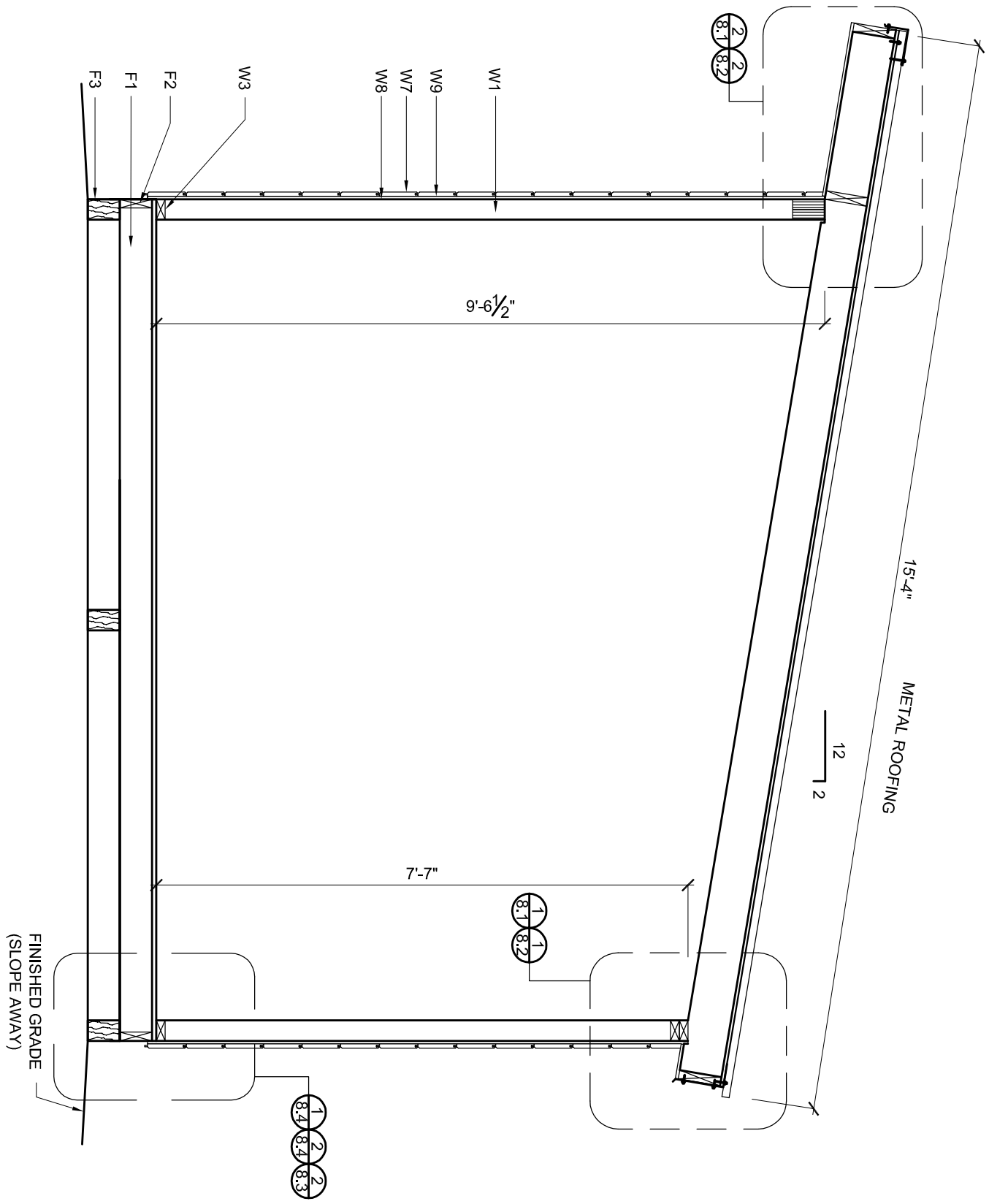
Birdsmouth Template **7.3**

Copyright 2015 Big Idea Designs. [www.icreatables.com](http://www.icreatables.com)



**ROOF SHEETING PLAN**

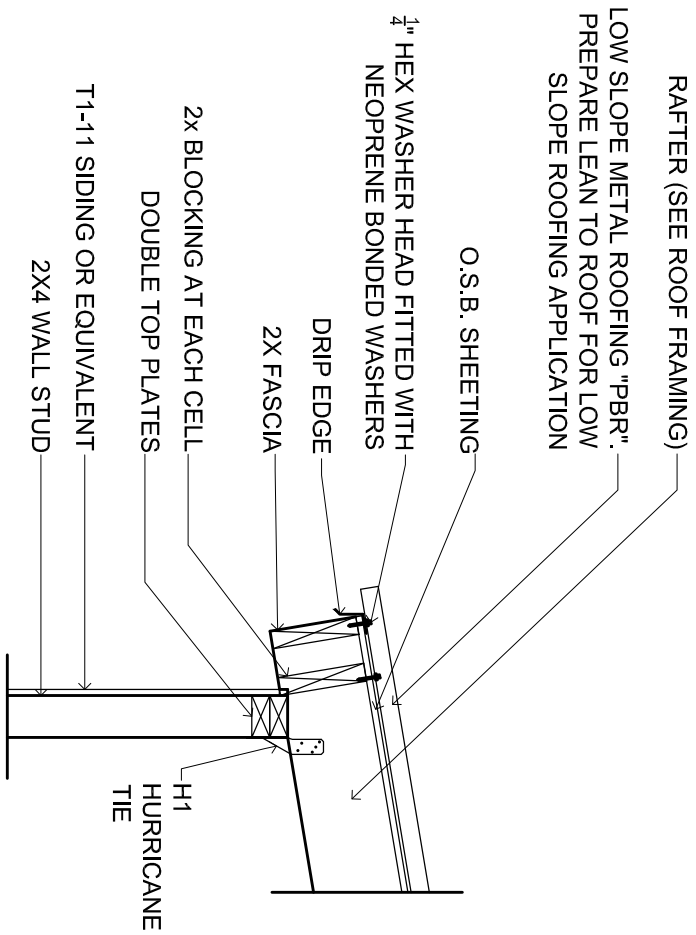
\*R2 Note: Roof sheeting materials vary depending on fascia and soffit options. Plywood roof sheeting is shown on plans because the underside is visible in the soffit area. If you choose to install wood or metal soffit and fascia you may substitute 7/16" O.S.B. material for the roof sheeting.



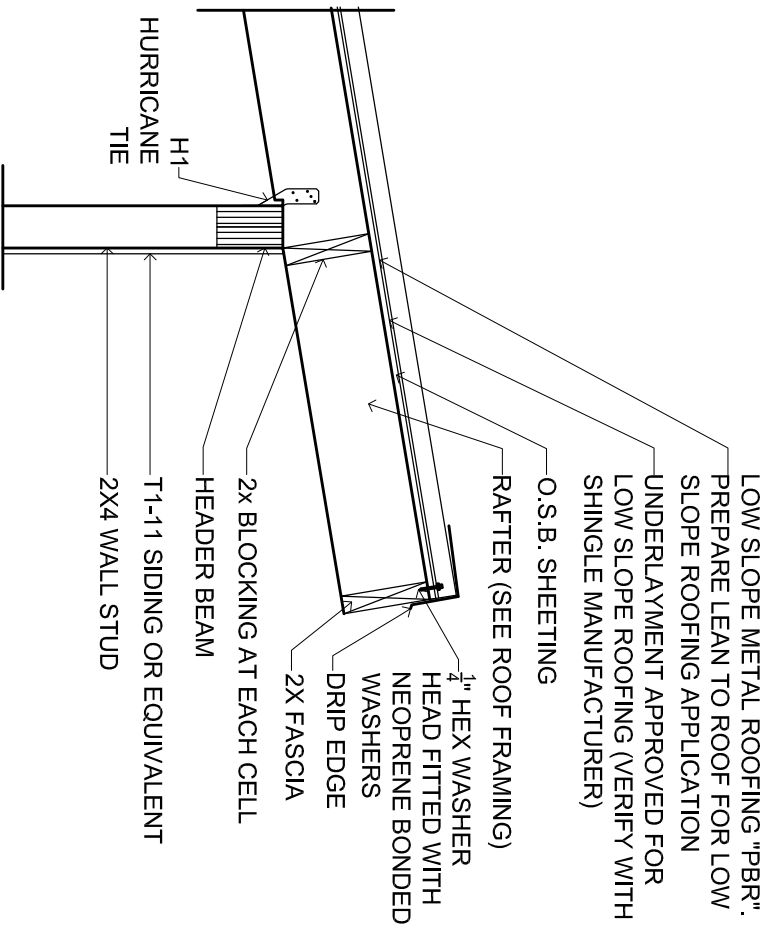
# BUILDING SECTION

1/4" = 1'-0" See floor and wall plans for material call out definitions.

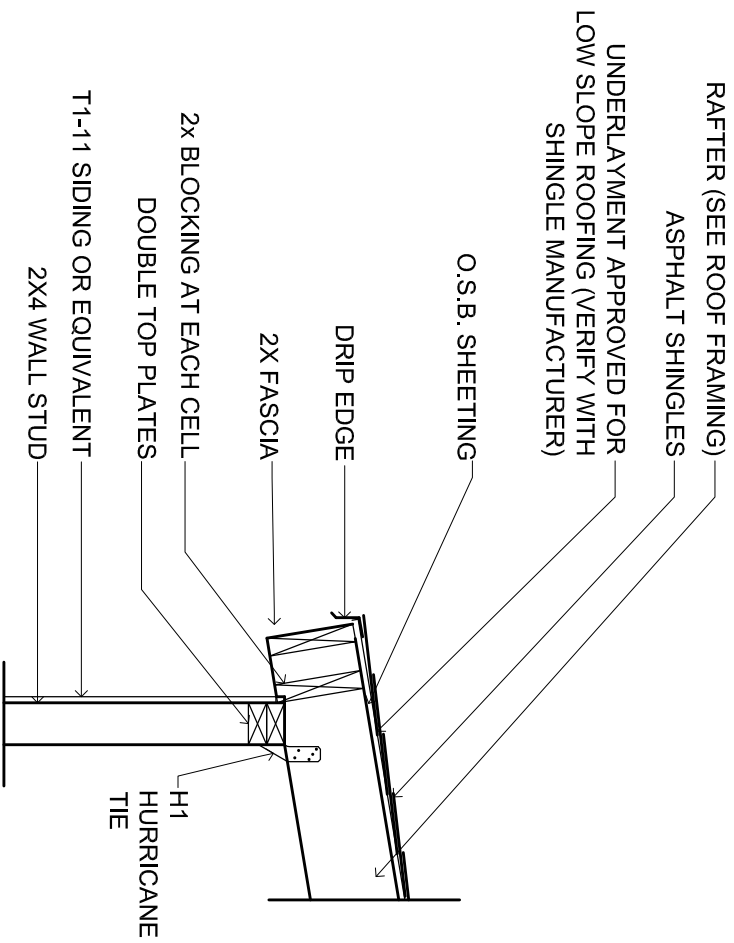




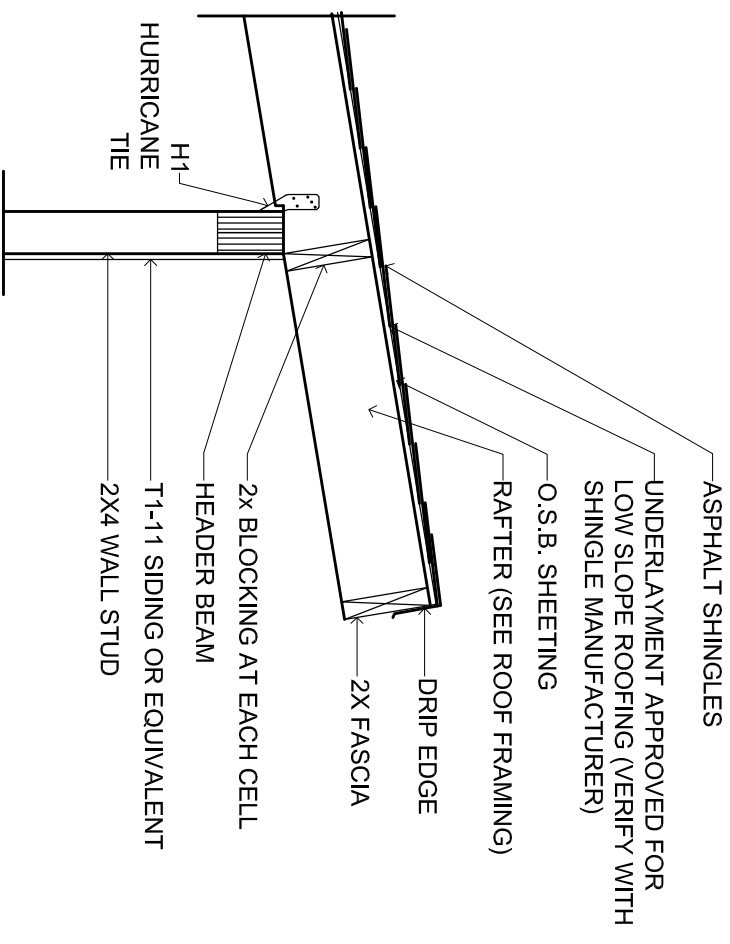
**1** METAL ROOF RAFTER EAVE DETAIL - OPEN SOFFIT  
 $\frac{3}{4}$ " = 1'-0"



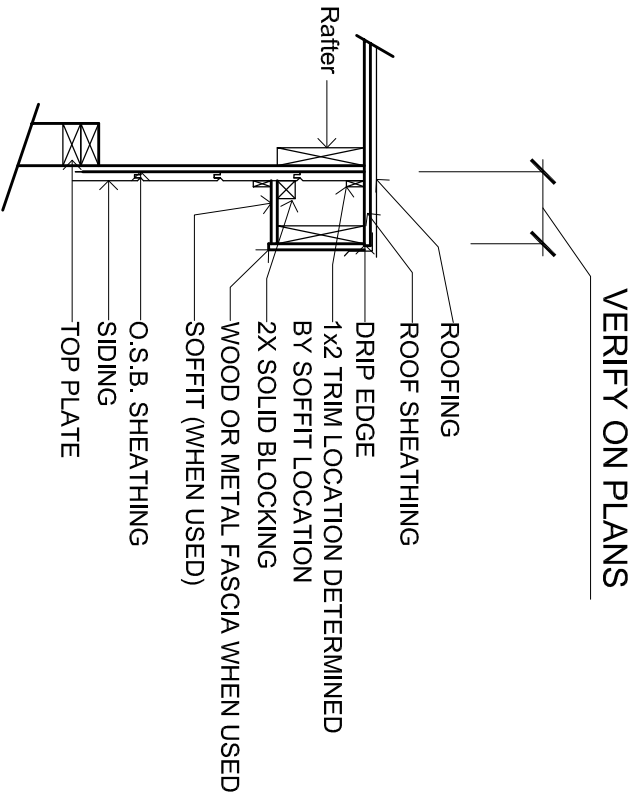
**2** METAL ROOF RAFTER EAVE DETAIL - OPEN SOFFIT  
 $\frac{3}{4}$ " = 1'-0"



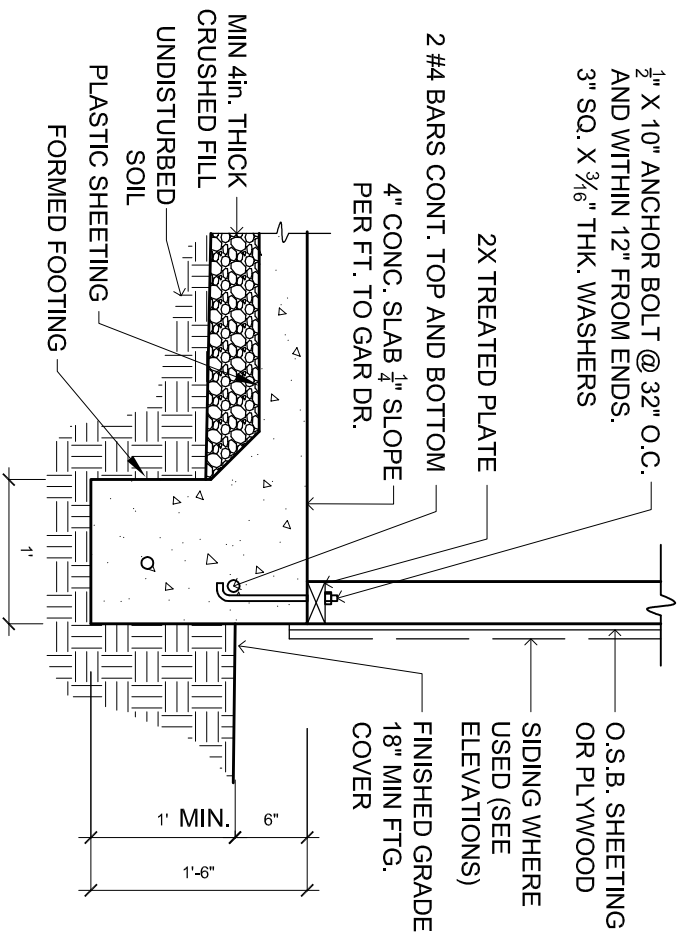
**1** ASPHALT ROOF EAVE DETAIL - OPEN SOFFIT  
 $\frac{3}{4}" = 1'-0"$



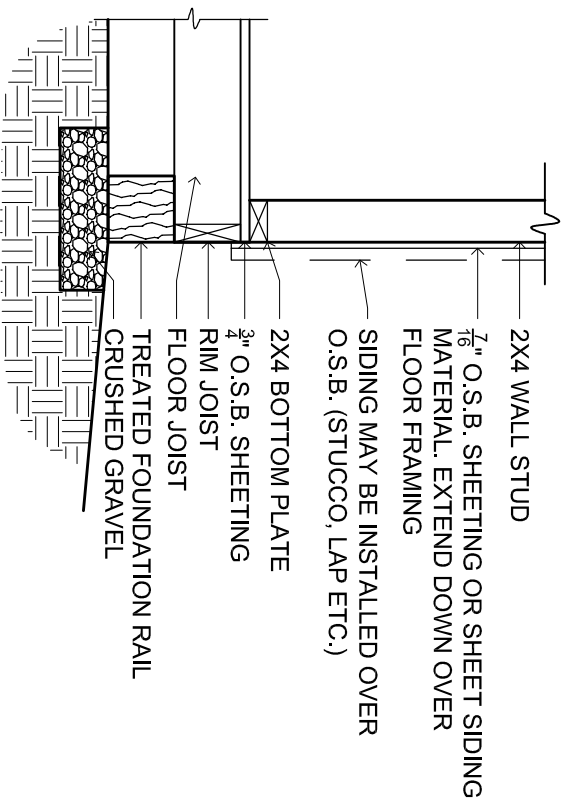
**2** ASPHALT ROOF EAVE DETAIL - OPEN SOFFIT  
 $\frac{3}{4}" = 1'-0"$



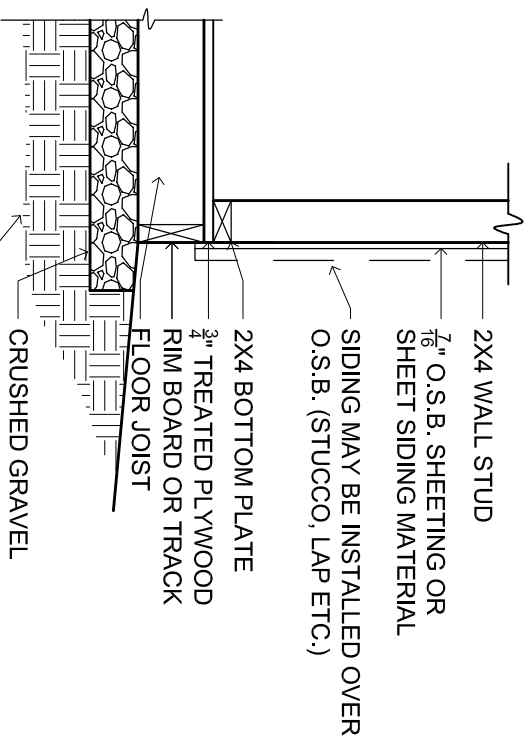
**1** 2X6 OR 2X8 BOXED RAKE DETAIL - MODERN  
 $\frac{3}{4}$ " = 1'-0"



**2** MONOLITHIC SLAB WITH FOOTINGS  
 $\frac{3}{4}$ " = 1'-0" Verify Footing Size With Local Building Official



**1** **FRAMED FLOOR AND WOOD RAIL FOUNDATION**  
 3/4" = 1'-0" See floor and foundation framing for lumber sizes



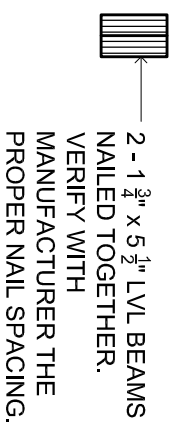
**2** **TREATED OR STEEL FLOOR JOIST FOUNDATION**  
 3/4" = 1'-0"

TREATED LUMBER REQUIREMENTS:  
 PRESSURE TREATED LUMBER

STEEL STUD REQUIREMENTS:  
 6" 16 GAUGE STEEL TRACK  
 6" 16 GAUGE STEEL C STUD



W6  
 $\frac{3}{4}" = 1'-0"$   
 2X6 HEADER DETAILS



W6.1  
 $\frac{3}{4}" = 1'-0"$   
 5  $\frac{1}{2}"$  LVL HEADER DETAIL