

Replacement of Fan Assembly

Figure 1

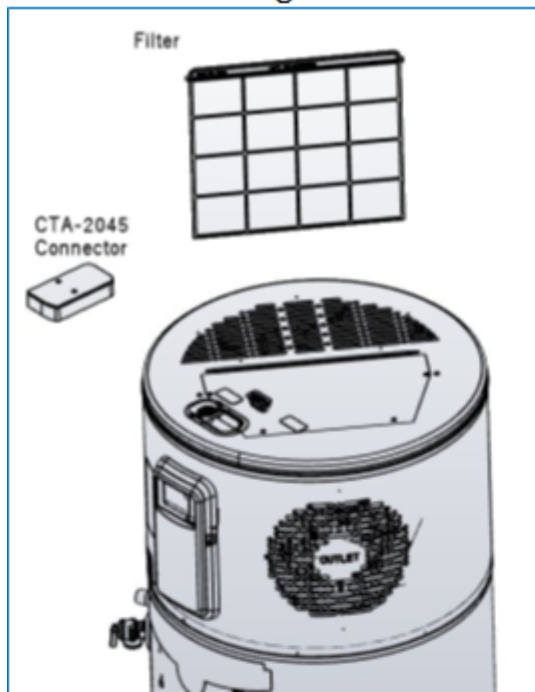


Figure 2

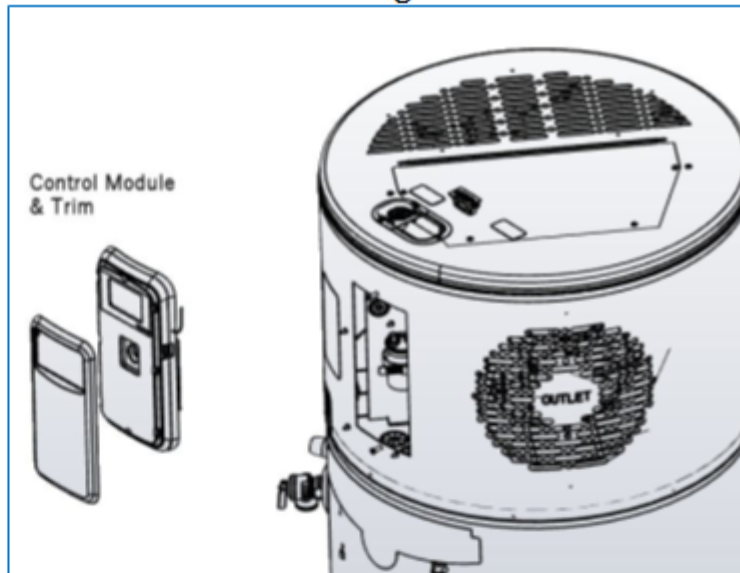


Figure 3

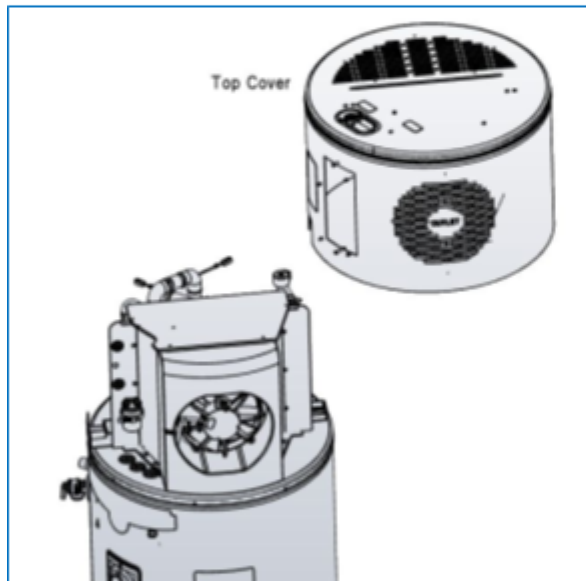


Figure 4

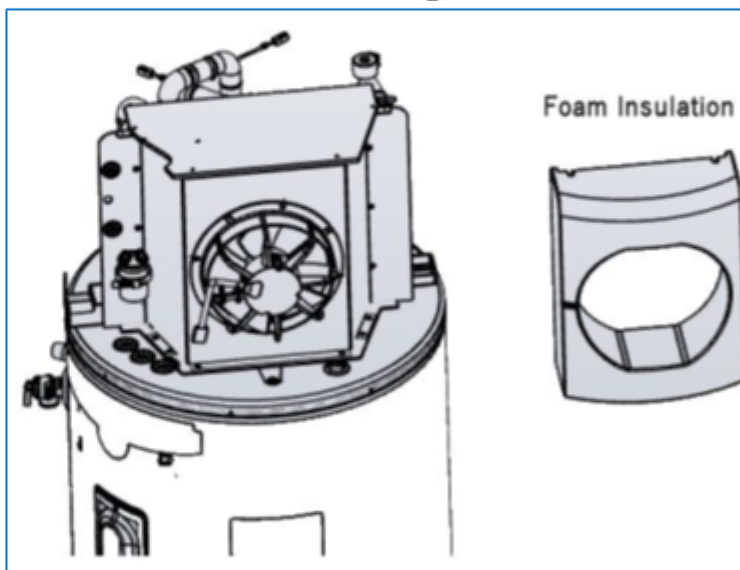


Figure 5

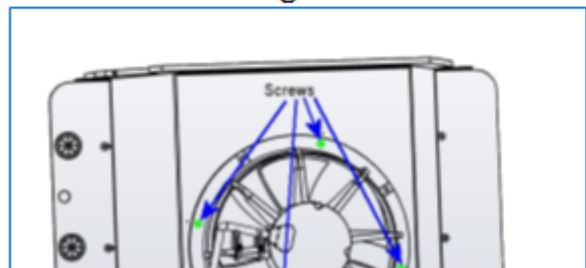
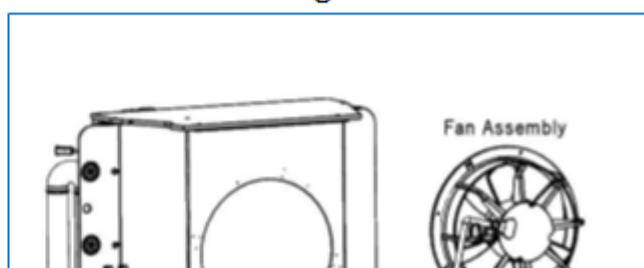
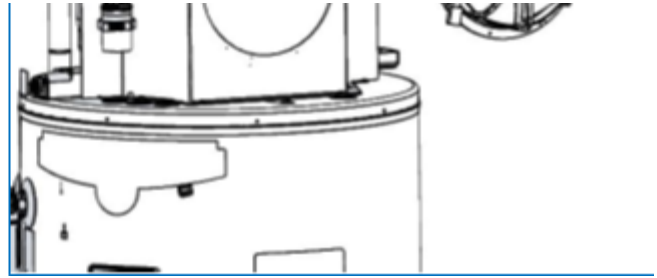
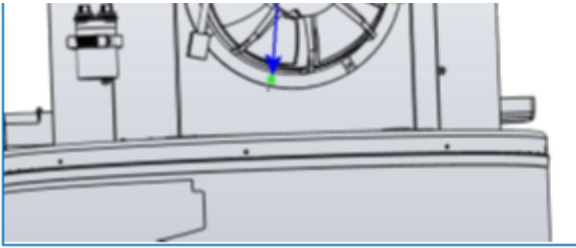


Figure 6





The fan assembly is in the top of the unit. It draws air through the evaporator so heat can be extracted from the air and transferred to the refrigerant. Anytime the compressor is "on", the fan has to be "on". The top of the cabinet has to be removed to gain access to the fan. Follow the simple directions below for fan removal and replacement.

1. Disconnect power to the unit.
2. Verify power is disconnected with the proper equipment.
3. Remove any duct work attached to the top and or side of the unit. This can be easily done by disconnecting the duct adapters attached to the the heater.
4. Remove the air filter. **Figure 1.**
5. Remove the CTA-2045 adapter if applicable. Mounted on top of junction box. **Figure 1.**
6. Disconnect all wires within the junction box and move them out of the way.
7. Remove control panel by snapping the trim off the outside, then removing the 2 screws from the top and bottom. **Figure 2.**
8. Make note where all the connectors are located. Label or take pictures.
9. Remove all connectors and set control board aside.
10. Remove the screws from around the bottom of the outside of the cabinet. This is where the top meets the tank.
11. Carefully lift the top off of the water heater. **Figure 3.**
12. Locate the fan and carefully remove the foam from in front of the fan. **Figure 4.**
13. Locate the fan connector and cut loose any tie-wraps holding down the wire. This connector has already been removed from the control board in step 8. Routing of the fan cable to the top of the unit maybe necessary.
14. Remove the 4 screws around the outside of the fan assembly. **Figure 5.**
15. Remove fan assembly. **Figure 6.**
16. Assembly is the reverse of disassembly.
17. Test operation of the water heater.