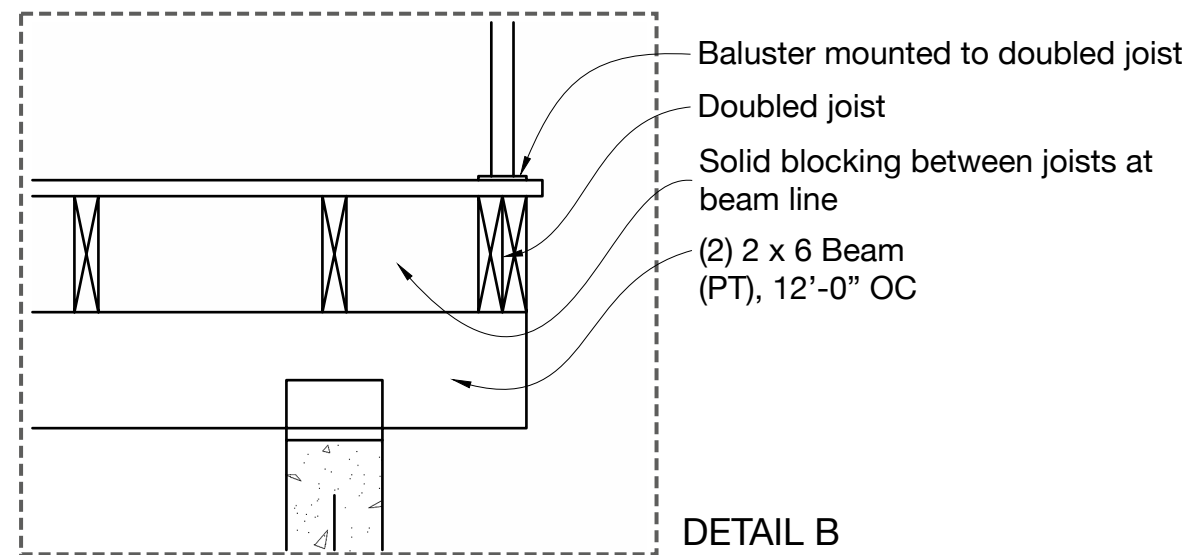
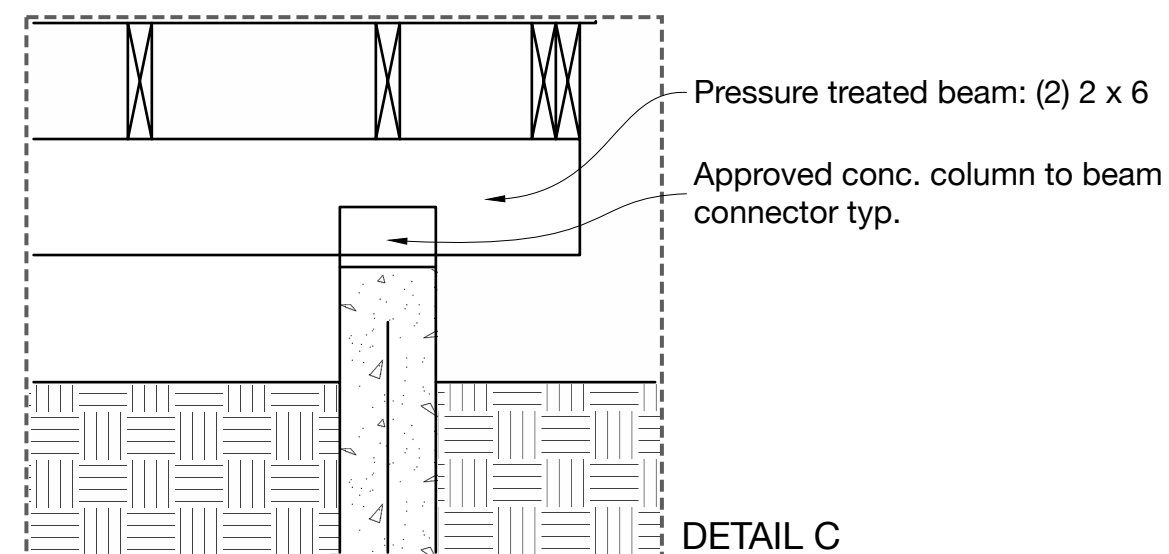


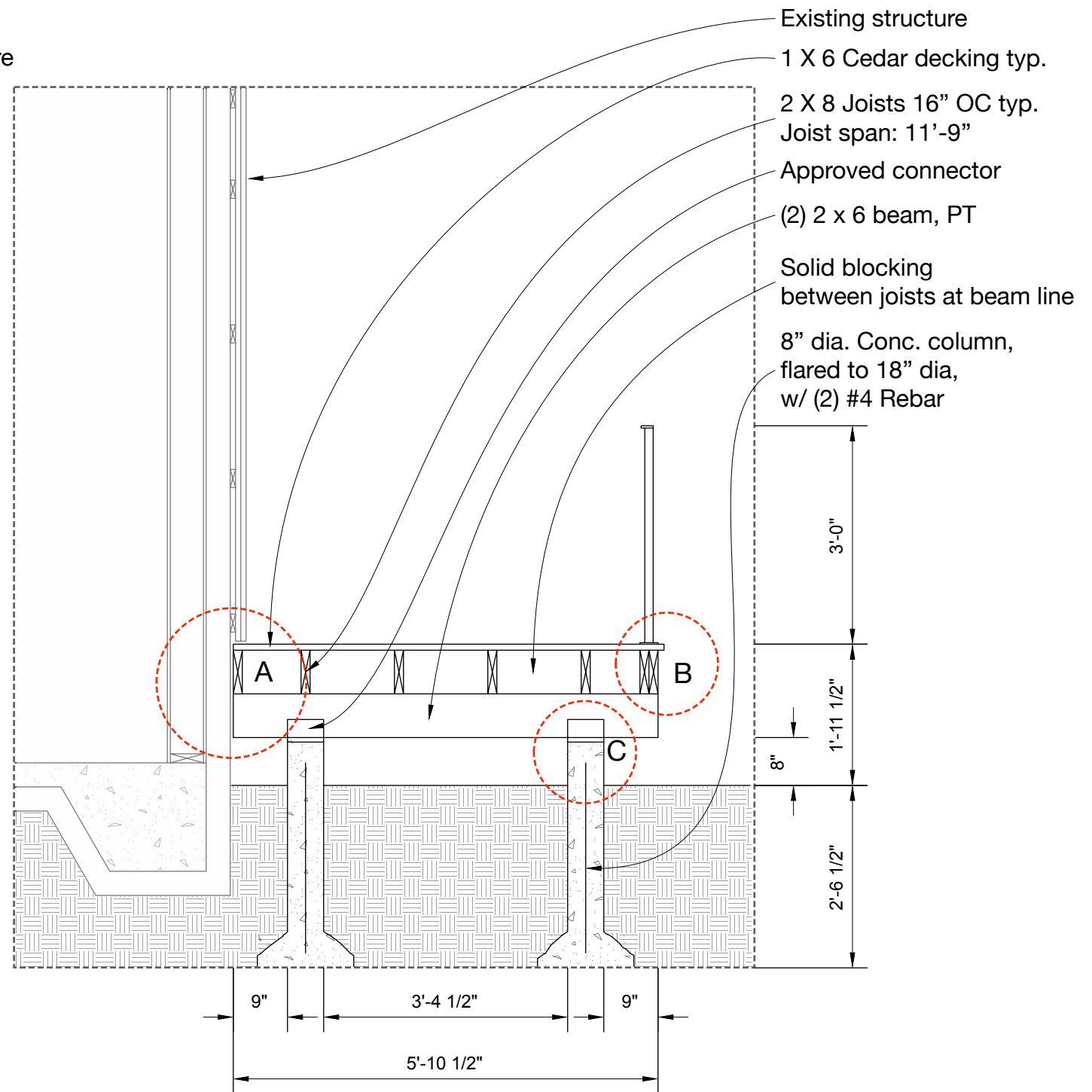
DETAIL A



DETAIL B



DETAIL C



PROJECT
Drake | Weiss DADU

PROJECT NO.
21.003

ISSUE
05.03.21

DRAWN BY
DD

Deck Plan &
Details