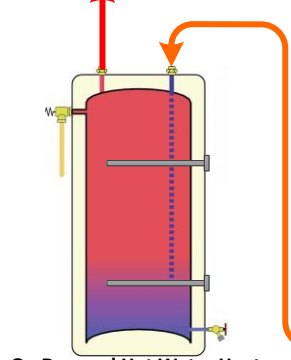
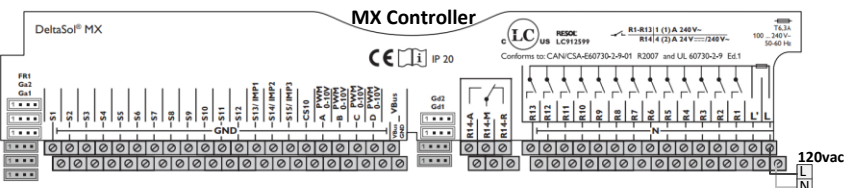
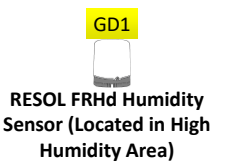


To Hot Supply

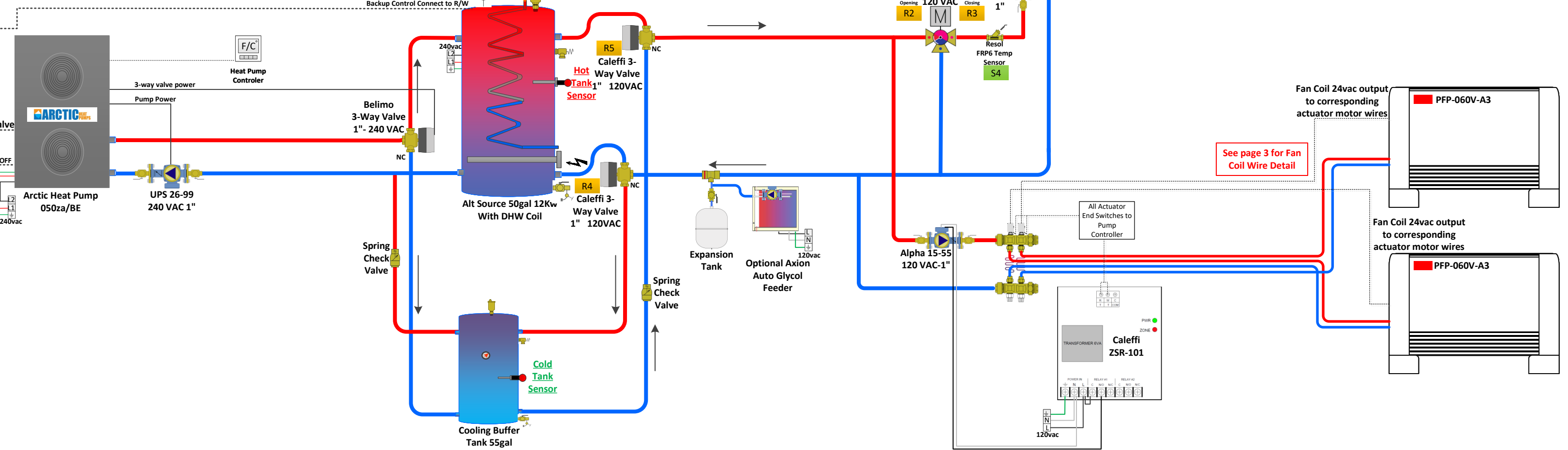


On Demand Hot Water Heater Or DHW Tank

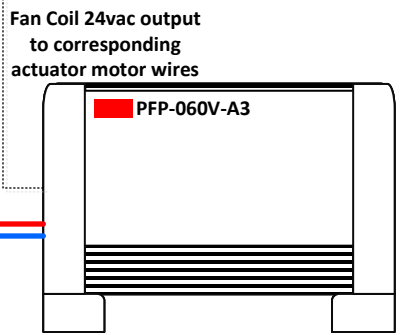
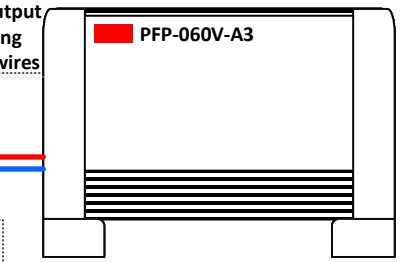
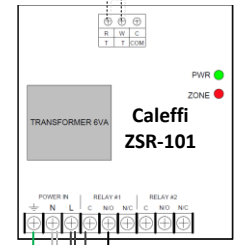
Radiant Floor – Heating Radiant Floor - Cooling With Domestic Hot Water



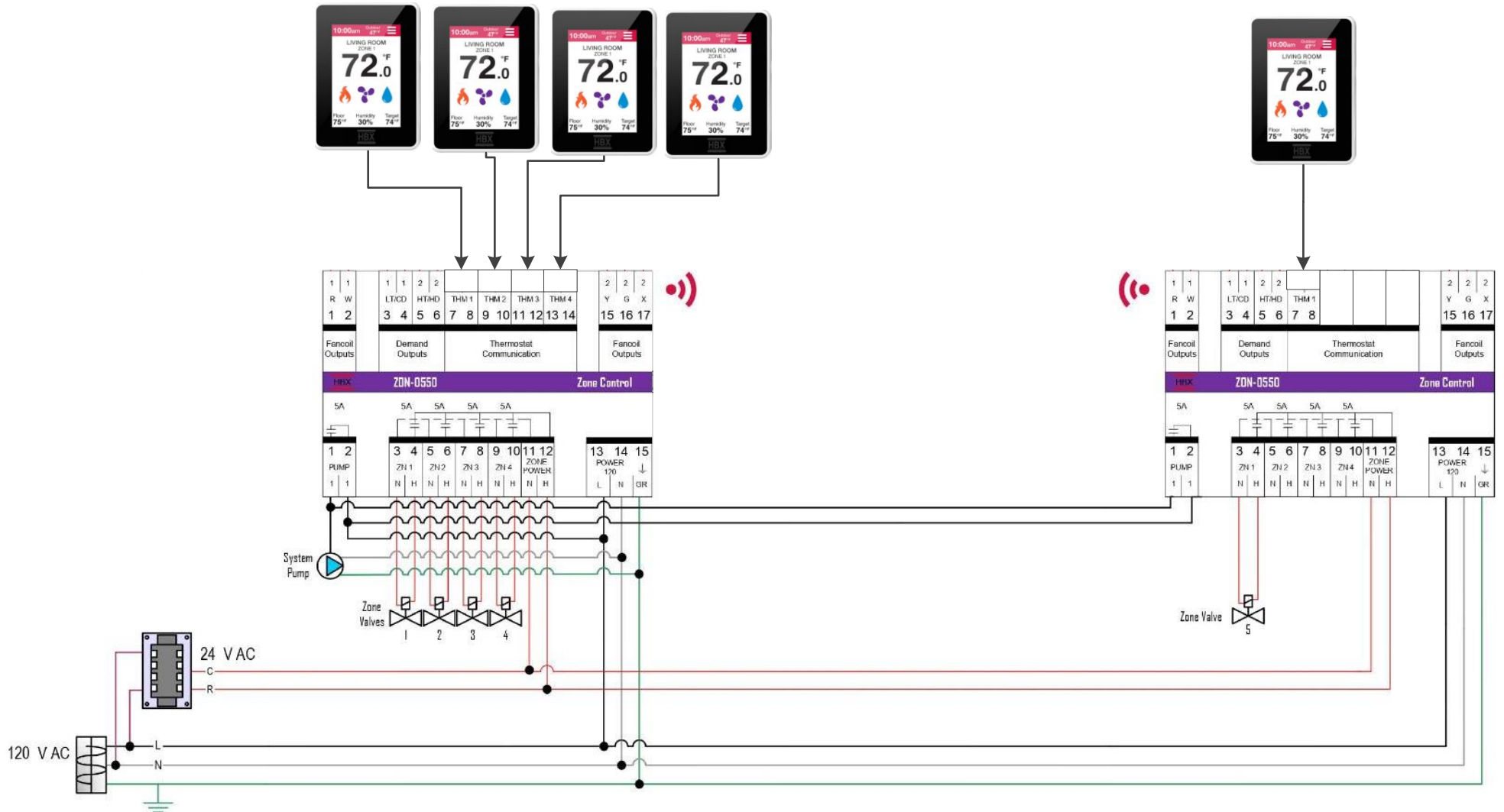
Note: See page 2 for 24vac transformer wiring detail



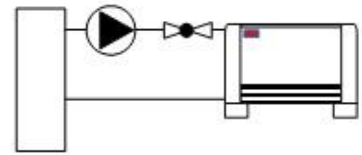
See page 3 for Fan Coil Wire Detail



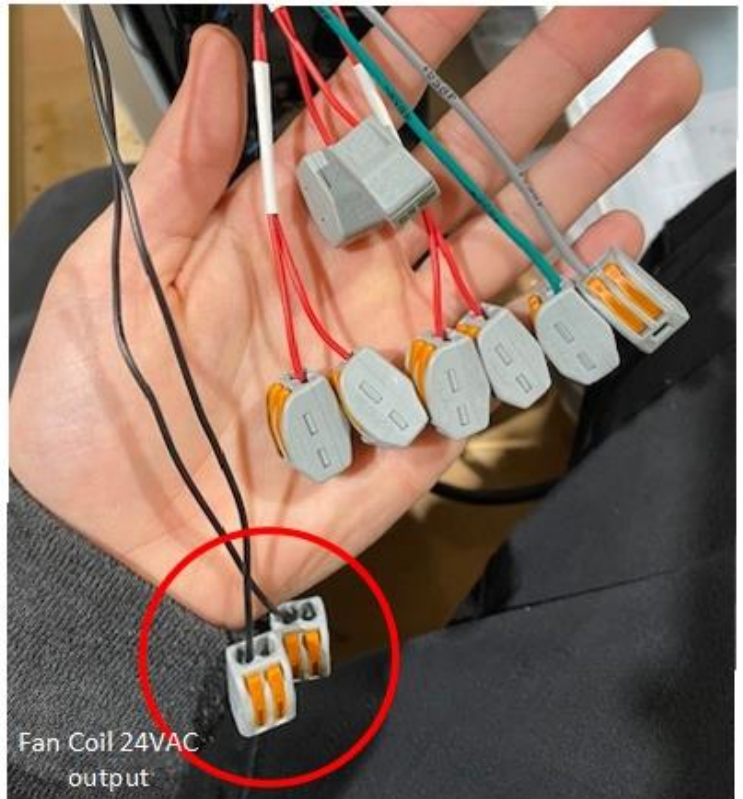
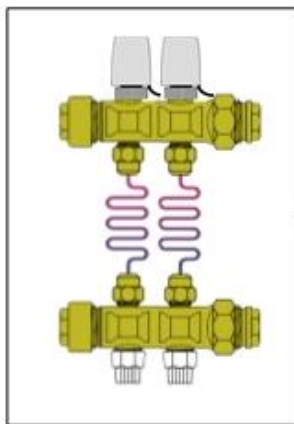
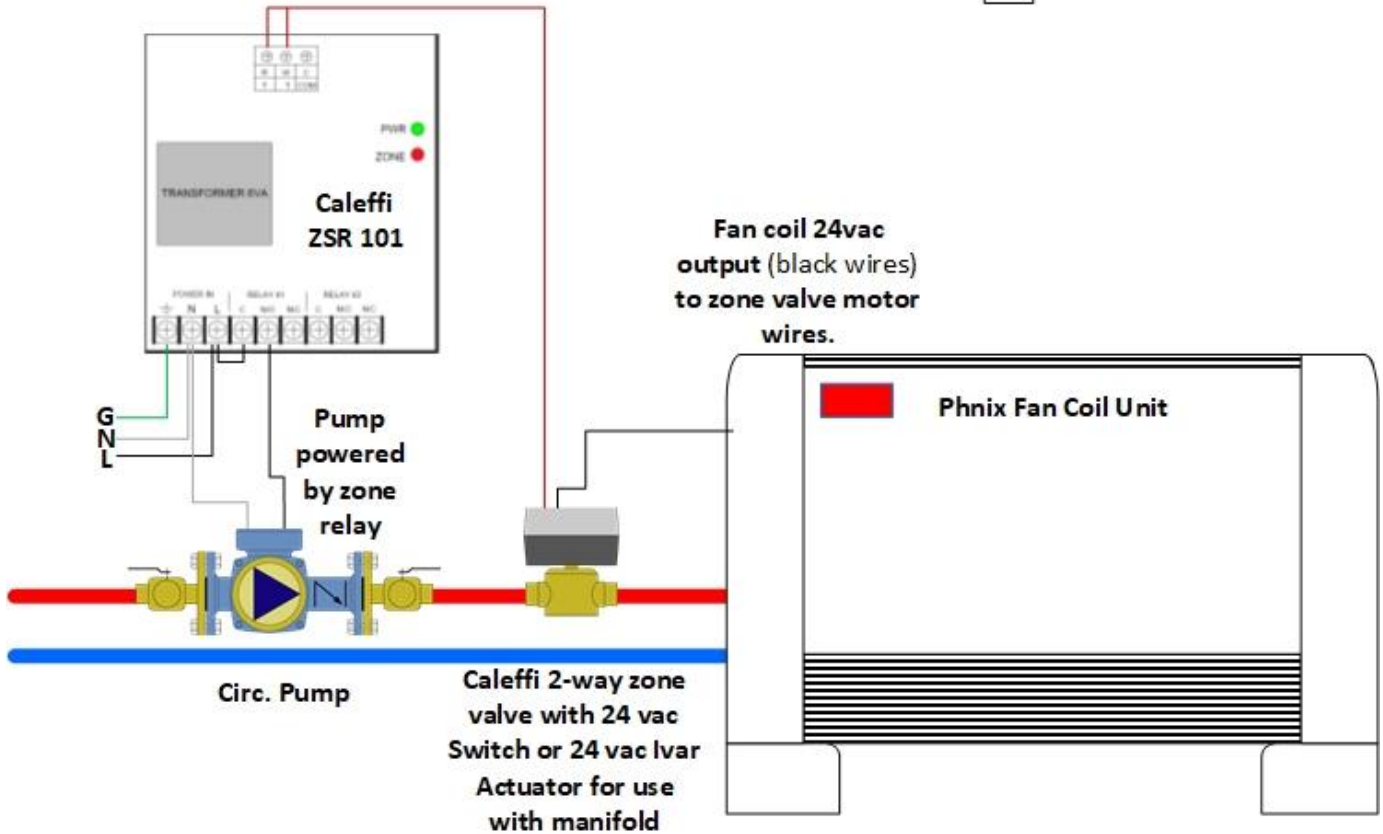
Zon-0600 Wiring Detail



Fan Coil Heating/Cooling Single Tank



End switch from zone valve to thermostat control



When the fan coil calls for heating or cooling 24vac will be supplied to zone valve opening the valve. The end switch on the valve will close, closing the thermostat control on the zone relay and supplying power to the zone pump.