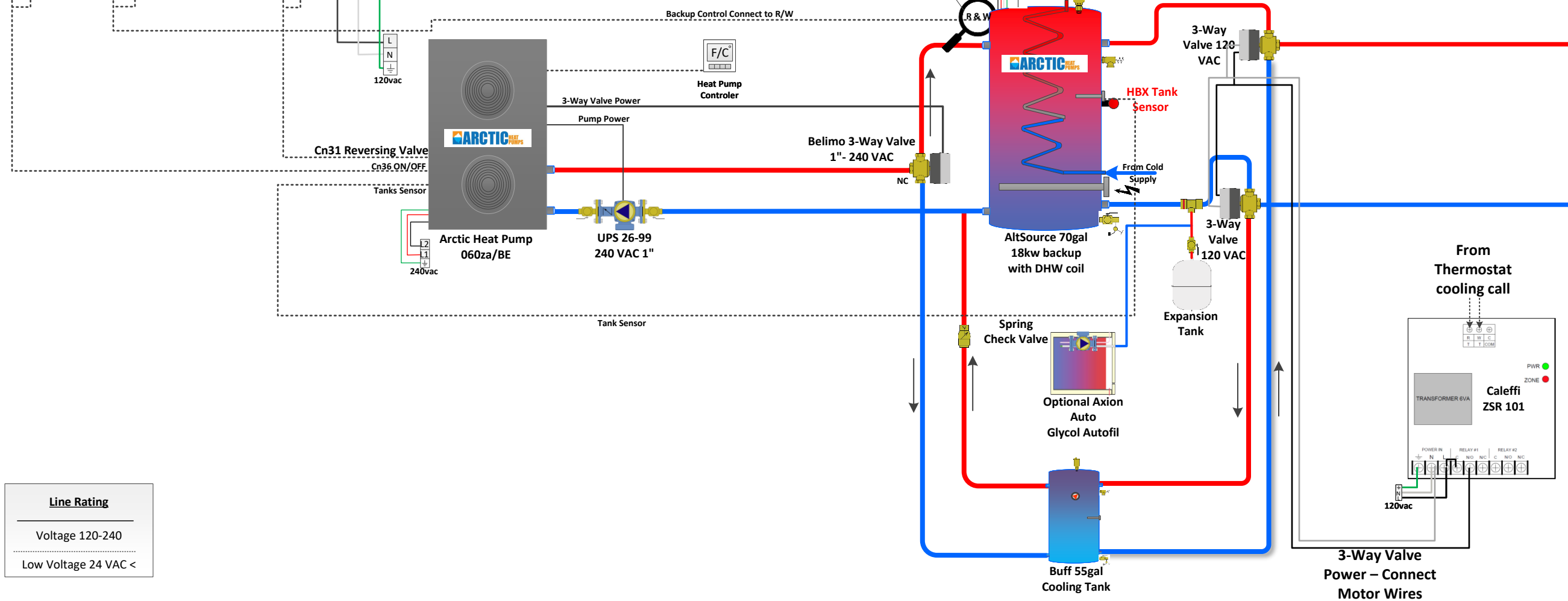
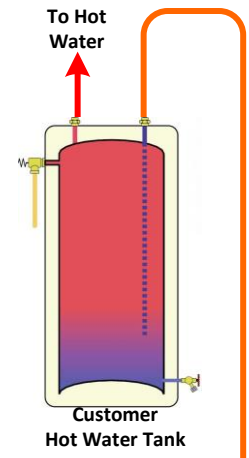
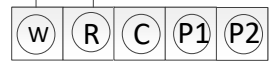


HBX ECO-0600 Wiring

Outdoor Sensor
HBX

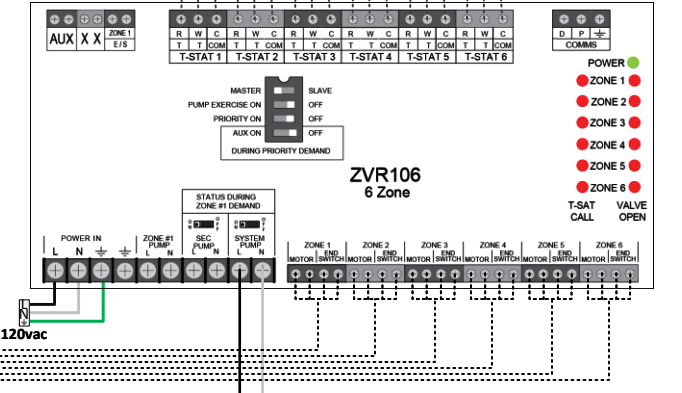
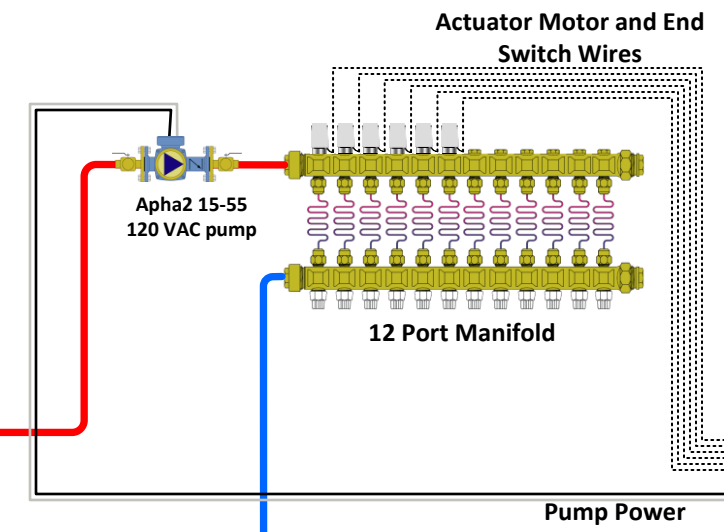
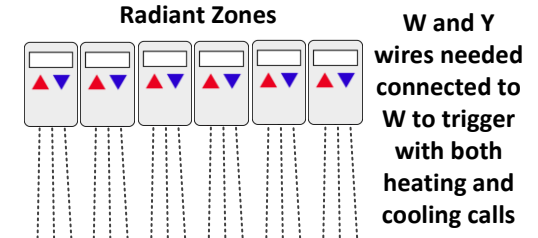
Heat Pump
L1/W L2/R

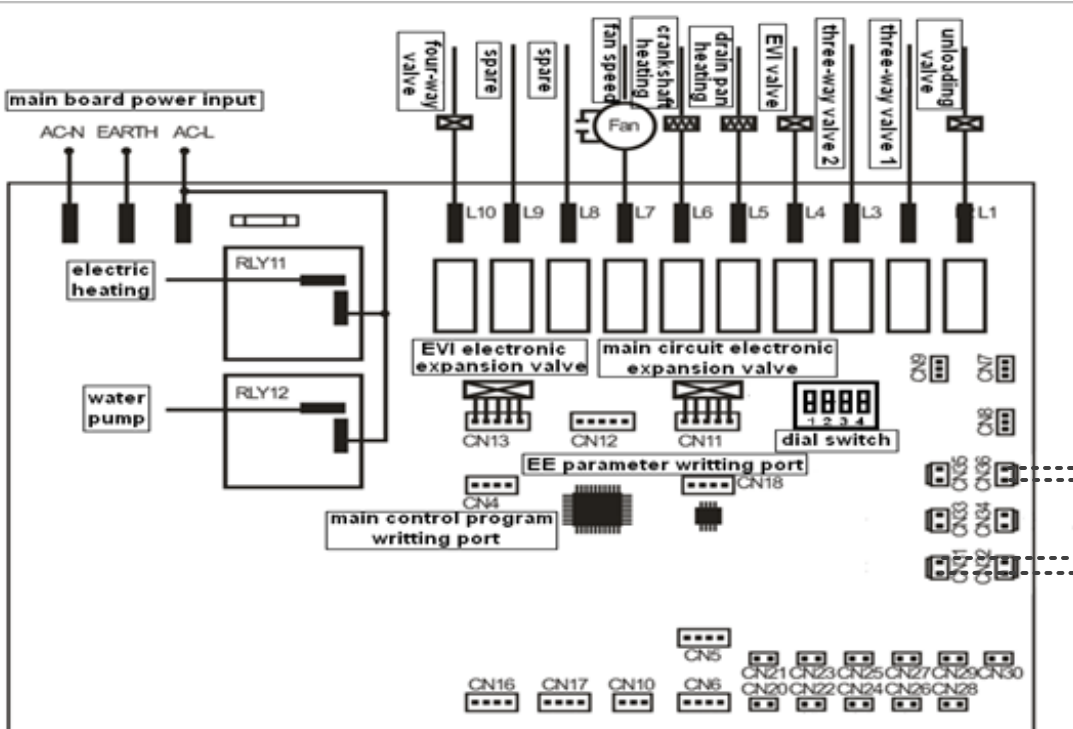
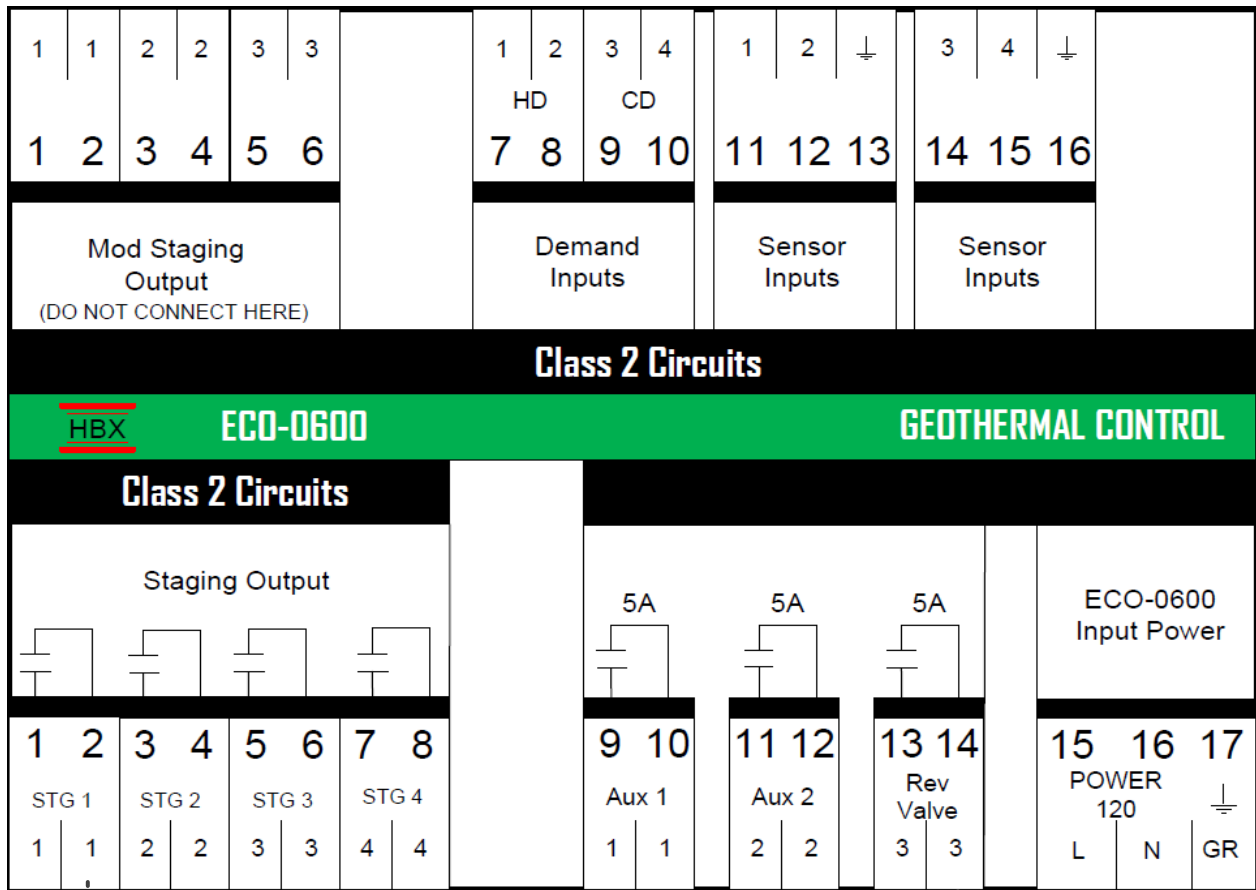


Line Rating

Voltage 120-240

Low Voltage 24 VAC <





- | | | |
|---|--|---|
| <ul style="list-style-type: none"> CN7, CN8, CN9, CN10: spare CN31: mode switch CN32: high voltage switch CN33: low voltage switch CN34: water flow switch CN35: A.C. online switch CN36: emergency switch | <ul style="list-style-type: none"> CN20: ambient temp. CN21: coil temp. CN22: discharge temp. CN23: suction temp. CN24: cooling coil temp. CN25: water inlet temp. CN26: water outlet temp. | <ul style="list-style-type: none"> CN27: water tank temp CN28, CN29, CN30: spare CN16: wired controller CN17: Modbus available CN5: computer monitor CN6: drive board |
|---|--|---|