

## A.7 MULTI-POSITION AIR HANDLER (SVZ)

A.7.1	SPECIFICATIONS .....	A-630
	A.7.1.1 SUZ series .....	A-630
	A.7.1.2 H2i SUZ series.....	A-632
A.7.2	OUTLINES AND DIMENSIONS .....	A-634
A.7.3	WIRING DIAGRAM.....	A-635
A.7.4	REFRIGERANT SYSTEM DIAGRAM .....	A-636
A.7.5	PERFORMANCE DATA.....	A-637
	A.7.5.1 SUZ series .....	A-637
	A.7.5.2 H2i SUZ series.....	A-648
A.7.6	NOISE CRITERIA CURVES .....	A-659
A.7.7	FAN PERFORMANCE.....	A-664
A.7.8	CENTER OF GRAVITY POSITION .....	A-671
A.7.9	PART LOAD CAPACITY CHART.....	A-672
	A.7.9.1 SUZ series .....	A-672
	A.7.9.2 H2i SUZ series.....	A-677

# A.7.1 SPECIFICATIONS

## A.7.1.1 SUZ series

Model name	Indoor unit		SVZ-KP12NA	SVZ-KP18NA	SVZ-KP24NA	
	Outdoor unit		SUZ-KA12NA2	SUZ-KA18NA2	SUZ-KA24NA2	
Cooling *1	Rated Capacity	Btu/h	12,000	18,000	24,000	
	Capacity Range	Btu/h	4,300-12,000	6,200-18,000	12,400-24,000	
	Total input	W	940	1,360	1,920	
	Energy Efficiency	EER		12.7	13.2	12.5
		SEER		18.0	18.0	18.0
	Moisture Removal	Pints/h		1.2	2.4	4.1
	Sensible Heat Factor			0.89	0.85	0.81
Heating at 47°F *1	Rated Capacity	Btu/h	15,000	21,600	25,000	
	Capacity Range	Btu/h	4,700-16,700	8,300-26,000	14,600-28,000	
	Total input	W	1,210	1,600	1,910	
	HSPF(Region IV)	Btu/h/W	12.1(11.5)	12.6(12.2)	10.4(10.1)	
Heating at 17°F *2	Rated Capacity	Btu/h	9,900	14,000	14,600	
	Rated Total input	W	1,120(1,250)	1,460(1,580)	1,590(1,710)	
	Maximum Capacity	Btu/h	9,900	14,000	14,600	
	Maximum Total Input	W	1,120(1,250)	1,460(1,580)	1,590(1,710)	
Power supply	Voltage, Phase, Cycle		208/230V, 1-phase, 60Hz			
Voltage	Indoor - Outdoor S1-S2		AC 208/230V			
	Indoor - Outdoor S2-S3		DC12-24V			
	Indoor - Remote controller		DC12V			
Indoor unit	MCA	A	3.0			
	Fan Motor	F.L.A.	2.4			
	Fan Motor Output	W	121			
	Air flow (Lo-Mid-Hi)	DRY(CFM)	278-381-448	471-573-675	515-625-735	
		WET(CFM)	-			
	External Static Pressure	in WG	0.3 - 0.5 - 0.8			
	Sound Pressure Level (Lo-Mid-Hi)	dB (A)	29-36-39	33-36-41		
	External Finish Color		BLACK			
	Dimensions	W: in	17			
		D: in	21-5/8			
		H: in	39-13/16			
	Weight Unit	lbs	93			
	Field Drainpipe O.D.	in	O.D. 3/4			
Refrigerant pipe Gas	in	3/8	1/2	5/8		
Refrigerant pipe Liquid	in	1/4	1/4	3/8		
Outdoor unit	MCA	A	9	14	17	
	MOCP	A	16	24	31	
	Fan Motor	F.L.A.	0.50	0.67	1.00	
	Compressor	Model(Type)	DC INVERTER-driven Twin Rotary			
		R.L.A.	6.6	10	13.0	
		L.R.A.	8.2	12.5	16.0	
	Air flow (Cooling/Heating)	CFM	(1,229/1,172)	(1,691/1,691)	(2,020/1,930)	
	Refrigerant Control	Linear Expansion Valve				
	Defrost Method	Reverse Cycle				
	SPL (Cooling)	dB (A)	49	54	55	
	SPL (Heating)	dB (A)	51	55	55	
	External Finish Color		Munsell No.3Y 7.8/1.1			
	Dimension	W: in	31-1/2		33-1/16	
D: in		11-1/4		13		
H: in		21-5/8		34-5/8		
Weight	lbs	81	127	129		
Remote Controller	Type	Wired Remote Controller				
Refrigerant	Type	R410A				
	Charge	lbs, oz	2,9	3,9	4,14	
	Oil	Type(Fl.oz)	FV50S(11.8)			
Refrigerant Pipe	Gas side O.D.	in	3/8	1/2	5/8	
	Liquid side O.D.	in	1/4	1/4	3/8	
	Height Difference (Max)	ft	40	50	100	
	Length (Max.)	ft	65	100	100	
Connection Method	Indoor/Outdoor	Flared/Flared				
Operation Guarantee	Cooling	°F(°C)	14(-10) to 115(46)			
	Heating	°F(°C)	-4(-20) to 75(24)			

NOTES : \*1.Rating conditions (cooling)-Indoor : D.B. 26.7°C(80°F), W.B. 19.4°C(67°F) Outdoor : D.B. 35°C(95°F), W.B. 23.9°C(75°F)  
 (heating)-Indoor : D.B. 21.1°C(70°F), W.B. 15.6°C(60°F) Outdoor : D.B. 8.3°C(47°F), W.B. 6.1°C(43°F)  
 \*2.Rating conditions (heating)-Indoor : D.B. 21.1°C(70°F), W.B. 15.6°C(60°F) Outdoor : D.B. -8.3°C(17°F), W.B. -9.4°C(15°F)

**Operating range**

	Indoor intake air temperature		Outdoor intake air temperature(SUZ-KA18NA(H)2.TH)	Outdoor intake air temperature(SUZ-KA24/30/36NA(H)2.TH)
Cooling	Maximum	D.B. 35°C(95°F), W.B. 21.7°C(71°F)	D.B. 46°C(115°F)	D.B. 46°C(115°F)
	Minimum	D.B. 19.4°C(67°F), W.B. 13.9°C(57°F)	D.B. -10°C(14°F)	D.B. -10°C(14°F)
Heating	Maximum	D.B. 26.7°C(80°F), W.B. 19.4°C(67°F)	D.B. 24°C(75°F), W.B. 18°C(65°F)	D.B. 24°C(75°F), W.B. 18°C(65°F)
	Minimum	D.B. 21.1°C(70°F), W.B. 15.6°C(60°F)	D.B. -20°C(-4°F), W.B. -21°C(-5°F)	D.B. -10°C(14°F), W.B. -11°C(12°F)

MULTI-POSITION AIR HANDLER SPECIFICATIONS

Model name	Indoor unit		SVZ-KP30NA	SVZ-KP36NA	
	Outdoor unit		SUZ-KA30NA2	SUZ-KA36NA2	
Cooling *1	Rated Capacity	Btu/h	27,000	33,000	
	Capacity Range	Btu/h	13,500-27,000	11,600-33,000	
	Total input	W	2,160	3,720	
	Energy Efficiency	EER		12.5	8.8
		SEER		18.0	16.0
	Moisture Removal	Pints/h		2.4	4.7
	Sensible Heat Factor			0.90	0.84
Heating at 47°F *1	Rated Capacity	Btu/h	30,000	33,500	
	Capacity Range	Btu/h	12,640-33,000	13,260-36,000	
	Total input	W	2,060	3,030	
	HSPF(Region IV)	Btu/h/W	13.6(13.4)	11.7(11.6)	
Heating at 17°F *2	Rated Capacity	Btu/h	21,400	23,200	
	Rated Total input	W	1,950(2,070)	2,710(2,830)	
	Maximum Capacity	Btu/h	21,400	23,200	
	Maximum Total Input	W	1,950(2,070)	2,710(2,830)	
Power supply	Voltage, Phase, Cycle		208/230V, 1-phase, 60Hz		
Voltage	Indoor - Outdoor S1-S2		AC 208/230V		
	Indoor - Outdoor S2-S3		DC12-24V		
	Indoor - Remote controller		DC12V		
Indoor unit	MCA	A	4.13		
	Fan Motor	F.L.A.	3.3		
	Fan Motor Output	W	244		
	Air flow (Lo-Mid-Hi)	DRY(CFM)	613-744-875	767-910-910	
		WET(CFM)	-		
	External Static Pressure	in WG	0.3 - 0.5 - 0.8		
	Sound Pressure Level (Lo-Mid-Hi)	dB (A)	32-37-41	35-40-42	
	External Finish Color		BLACK		
	Dimensions	W: in	21		
		D: in	21-5/8		
		H: in	43-3/4		
	Weight Unit	lbs	119		
Field Drainpipe O.D.	in	O.D. 3/4			
Refrigerant pipe Gas	in	5/8			
Refrigerant pipe Liquid	in	3/8			
Outdoor unit	MCA	A	17		
	MOCP	A	31		
	Fan Motor	F.L.A.	1.00		
	Compressor	Model(Type)	DC INVERTER-driven Twin Rotary		
		R.L.A.	13.0		
		L.R.A.	16.0		
	Air flow (Cooling/ Heating)	CFM	(2,020/1,930)		
	Refrigerant Control		Linear Expansion Valve		
	Defrost Method		Reverse Cycle		
	SPL (Cooling)	dB (A)	55		
	SPL (Heating)	dB (A)	55		
	External Finish Color		Munsell No.3Y 7.8/1.1		
	Dimension	W: in	33-1/16		
		D: in	13		
		H: in	34-5/8		
Weight	lbs	129			
Remote Controller	Type		Wired Remote Controller		
Refrigerant	Type		R410A		
	Charge	lbs, oz	4.14		
	Oil	Type(Fl.oz)	FV50S(15.6)		
Refrigerant Pipe	Gas side O.D.	in	5/8		
	Liquid side O.D.	in	3/8		
	Height Difference (Max)	ft	100		
	Length (Max.)	ft	100		
Connection Method	Indoor/Outdoor		Flared/Flared		
Operation Guarantee	Cooling	°F(°C)	14(-10) to 115(46)		
	Heating	°F(°C)	14(-10) to 75(24)		

NOTES : \*1.Rating conditions (cooling)-Indoor : D.B. 26.7°C(80°F), W.B. 19.4°C(67°F) Outdoor : D.B. 35°C(95°F), W.B. 23.9°C(75°F)  
 (heating)-Indoor : D.B. 21.1°C(70°F), W.B. 15.6°C(60°F) Outdoor : D.B. 8.3°C(47°F), W.B. 6.1°C(43°F)  
 \*2.Rating conditions (heating)-Indoor : D.B. 21.1°C(70°F), W.B. 15.6°C(60°F) Outdoor : D.B. -8.3°C(17°F), W.B. -9.4°C(15°F)

**Operating range**

		Indoor intake air temperature		Outdoor intake air temperature(SUZ-KA18NA(H)2.TH)		Outdoor intake air temperature(SUZ-KA24/30/36NA(H)2.TH)	
		Maximum	Minimum	Maximum	Minimum	Maximum	Minimum
Cooling	Maximum	D.B. 35°C(95°F), W.B. 21.7°C(71°F)		D.B. 46°C(115°F)		D.B. 46°C(115°F)	
	Minimum	D.B. 19.4°C(67°F), W.B. 13.9°C(57°F)		D.B. -10°C(14°F)		D.B. -10°C(14°F)	
Heating	Maximum	D.B. 26.7°C(80°F), W.B. 19.4°C(67°F)		D.B. 24°C(75°F), W.B. 18°C(65°F)		D.B. 24°C(75°F), W.B. 18°C(65°F)	
	Minimum	D.B. 21.1°C(70°F), W.B. 15.6°C(60°F)		D.B. -20°C(-4°F), W.B. -21°C(-5°F)		D.B. -10°C(14°F), W.B. -11°C(12°F)	

MULTI-POSITION AIR HANDLER SPECIFICATIONS

**A.7.1.2 H2i SUZ series**

Model name	Indoor unit		SVZ-KP12NA	SVZ-KP18NA	SVZ-KP24NA	
	Outdoor unit		SUZ-KA12NAHZ	SUZ-KA18NAHZ	SUZ-KA24NAHZ	
Cooling *1	Rated Capacity	Btu/h	12,000	18,000	24,000	
	Capacity Range	Btu/h	5,600-12,000	9,360-18,000	8,800-24,000	
	Total input	W	860	1,440	2,420	
	Energy Efficiency	EER		13.9	12.5	9.9
		SEER		19.0	18.4	16.0
	Moisture Removal	Pints/h	0.8	1.1	4.7	
Sensible Heat Factor			0.92	0.93	0.78	
Heating at 47°F *1	Rated Capacity	Btu/h	15,000	21,600	23,000	
	Capacity Range	Btu/h	7,700-18,000	8,800-28,000	9,400-28,800	
	Total input	W	1,130	1,880	2,140	
	HSPF(Region IV)	Btu/h/W	10.2	10.4	9.2	
Heating at 17°F *2	Rated Capacity	Btu/h	8,900	14,300	19,200	
	Rated Total input	W	1,000	1,810	2,566	
	Maximum Capacity	Btu/h	15,000	21,600	23,000	
	Maximum Total Input	W	1,690	2,740	3,700	
Power supply	Voltage, Phase, Cycle		1-phase, 60Hz, 208/230V			
Voltage	Indoor - Outdoor S1-S2		AC 208/230V			
	Indoor - Outdoor S2-S3		DC12-24V			
	Indoor - Remote controller		DC12V			
Indoor unit	MCA	A	3.00			
	Fan Motor	F.L.A.	2.4			
	Fan Motor Output	W	121			
	Air flow (Lo-Mid-Hi)	DRY(CFM)	278-381-448	471-573-675	515-625-735	
		WET(CFM)	-			
	External Static Pressure	in WG	0.3 - 0.5 - 0.8			
	Sound Pressure Level (Lo-Mid-Hi)	dB (A)	29-36-39	31-35-39	33-36-41	
	External Finish Color	BLACK		Munsell No.1.0Y 9.2/0.2		
	Dimensions	W: in	17			
		D: in	21-5/8			
		H: in	39-13/16			
	Weight Unit	lbs	93			
	Field Drainpipe O.D.	in	O.D. 3/4			
	Refrigerant pipe Gas	in	3/8	1/2	3/8	
Refrigerant pipe Liquid	in	1/4		5/8		
Outdoor unit	MCA	A	14	17		
	MOCP	A	24	31	27	
	Fan Motor	F.L.A.	0.67	1.00	-	
	SCCR	A	-	-	5	
	Inverter input	A	-	-	10	
	Compressor	Model(Type)	DC INVERTER-driven Twin Rotary			
		R.L.A.	10.0	13.0	-	
		L.R.A.	12.5	16.0	-	
	Air flow (Cooling/Heating)	CFM	(1,691/1,691)	(2,020/1,930)	(1,940/1,940)	
	Refrigerant Control	Linear Expansion Valve			Electronic Expansion Valve	
	Defrost Method	Reverse Cycle				
	SPL (Cooling)	dB (A)	54	55	52	
	SPL (Heating)	dB (A)	55	55	53	
	External Finish Color	Munsell No.3Y 7.8/1.1				
	Dimension	W: in	33-1/16		37-13/32	
		D: in	13		12-63/64+63/64	
		H: in	34-5/8		37-1/8	
Weight	lbs	129	131	86		
Remote Controller	Type	Wired Remote Controller		Attached in indoor unit		
Refrigerant	Type	R410A				
	Charge	lbs, oz	3,9	4,14	7,11	
	Oil	Type(Fl.oz.)	FV50S(22.0)	FV50S(23.7)	FVC68D(34 oz)	
Refrigerant Pipe	Gas side O.D.	in	3/8	1/2	5/8	
	Liquid side O.D.	in	1/4		3/8	
	Height Difference (Max)	ft	40	50	100	
	Length (Max.)	ft	65	100	100	
Connection Method	Indoor/Outdoor	Flared/Flared				
Operation Guarantee	Cooling	°F(°C) 14(-10) to 115(46)			*0(-18) - 115(46)	
	Heating	°F(°C) -13(-25) to 75(24)				

\* In case that the wind baffle is installed. (In case that the wind baffle is not installed, the minimum temperature will be 23°F DB.

NOTES : \*1.Rating conditions (cooling)-Indoor : D.B. 26.7°C (80°F), W.B. 19.4°C (67°F) Outdoor : D.B. 35°C (95°F), W.B. 23.9°C (75°F)  
 (heating)-Indoor : D.B. 21.1°C (70°F), W.B. 15.6°C (60°F) Outdoor : D.B. 8.3°C (47°F), W.B. 6.1°C (43°F)  
 \*2.Rating conditions (heating)-Indoor : D.B. 21.1°C (70°F), W.B. 15.6°C (60°F) Outdoor : D.B. -8.3°C (17°F), W.B. -9.4°C (15°F)

Operating range		Indoor intake air temperature	Outdoor intake air temperature
Cooling	Maximum	D.B. 35°C (95°F), W.B. 21.7°C (71°F)	D.B. 46°C (115°F)
	Minimum	D.B. 19.4°C (67°F), W.B. 13.9°C (57°F)	D.B. -10°C (14°F)
Heating	Maximum	D.B. 26.7°C (80°F), W.B. 19.4°C (67°F)	D.B. 24°C (75°F), W.B. 18°C (65°F)
	Minimum	D.B. 21.1°C (70°F), W.B. 15.6°C (60°F)	D.B. -25°C (-13°F), W.B. -26°C (-14°F)

MULTI-POSITION AIR HANDLER SPECIFICATIONS

Model name	Indoor unit		SVZ-KP30NA	SVZ-KP36NA	
	Outdoor unit		SUZ-KA30NAHZ	SUZ-KA36NAHZ	
Cooling *1	Rated Capacity	Btu/h	27,000	36,000	
	Capacity Range	Btu/h	13,400-27,000	14,200-36,000	
	Total input	W	2100	3,760	
	Energy Efficiency	EER		12.5	9.5
		SEER		15.0	16.0
	Moisture Removal	Pints/h		4.1	8.4
Sensible Heat Factor			0.83	0.74	
Heating at 47°F *1	Rated Capacity	Btu/h	32,000	37,000	
	Capacity Range	Btu/h	13,000-34,000	13,800-40,000	
	Total input	W	2,400	3,280	
	HSPF(Region IV)	Btu/h/W	9.0	9.0	
	Rated Capacity	Btu/h	21,400	32,800	
Heating at 17°F *2	Rated Total input	W	2,750	4,230	
	Maximum Capacity	Btu/h	32,000	37,000	
	Maximum Total Input	W	3,970	5,800	
	Rated Capacity	Btu/h	21,400	32,800	
Power supply	Voltage, Phase, Cycle		1-phase, 60Hz, 208/230V		
Voltage	Indoor - Outdoor S1-S2		AC 208/230V		
	Indoor - Outdoor S2-S3		DC12-24V		
	Indoor - Remote controller		DC12V		
Indoor unit	MCA	A	4.13		
	Fan Motor	F.L.A	3.3		
	Fan Motor Output	W	244		
	Air flow (Lo-Mid-Hi)	DRY(CFM)	613-744-875	767-910-910	
		WET(CFM)	552-670-788	690-819-819	
	External Static Pressure	in WG	0.3-0.5-0.8		
	Sound Pressure Level (Lo-Mid-Hi)	dB (A)	32-37-41	35-40-42	
	External Finish Color		Munsell No.1.0Y 9.2/0.2		
	Dimensions	W: in	21		
		D: in	21-5/8		
		H: in	43-3/4		
	Weight Unit	lbs	119		
	Field Drainpipe O.D.	in	3/4		
Refrigerant pipe Gas	in	3/8			
Refrigerant pipe Liquid	in	5/8			
Outdoor unit	MCA	A	24	26	
	MOCP	A	40	42	
	SCCR	A	5		
	Inverter input	A	16		
	Compressor	Model(Type)	ANB33FJMMT		
	Air flow (Cooling/Heating)	CFM	3,880/3,880		
	Refrigerant Control		Electronic Expansion Valve		
	Defrost Method		Reverse Cycle		
	SPL (Cooling)	dB (A)	52		
	SPL (Heating)	dB (A)	53		
	External Finish Color		Munsell No.3Y 7.8/1.1		
	Dimension	W: in	41-11/32		
		D: in	12-63/64+63/64		
		H: in	52-43/64		
	Weight	lbs	118		
	Remote Controller	Type	Attached in indoor unit		
	Refrigerant	Type	R410A		
Charge		lbs, oz	11,7		
Oil		Type(Fl.oz.)	FV50S(47 oz)		
Refrigerant Pipe	Gas side O.D.	in	5/8		
	Liquid side O.D.	in	3/8		
	Height Difference (Max)	ft	100		
	Length (Max.)	ft	100		
Connection Method	Indoor/Outdoor	Flared/Flared			
Operation Guarantee	Cooling	°F(°C)	*0(-18) - 115(46)		
	Heating	°F(°C)	-13(-25) to 75(24)		

\* In case that the wind baffle is installed. (In case that the wind baffle is not installed, the minimum temperature will be 23°F DB.

NOTES : \*1.Rating conditions (cooling)-Indoor : D.B. 26.7°C(80°F), W.B. 19.4°C(67°F) Outdoor : D.B. 35°C(95°F), W.B. 23.9°C(75°F)  
 (heating)-Indoor : D.B. 21.1°C(70°F), W.B. 15.6°C(60°F) Outdoor : D.B. 8.3°C(47°F), W.B. 6.1°C(43°F)  
 \*2.Rating conditions (heating)-Indoor : D.B. 21.1°C(70°F), W.B. 15.6°C(60°F) Outdoor : D.B. -8.3°C(17°F), W.B. -9.4°C(15°F)

**Operating range**

		Indoor intake air temperature		Outdoor intake air temperature	
Cooling	Maximum	D.B. 35°C(95°F), W.B. 21.7°C(71°F)	D.B. 46°C(115°F)		
	Minimum	D.B. 19.4°C(67°F), W.B. 13.9°C(57°F)	D.B. -10°C(14°F)		
Heating	Maximum	D.B. 26.7°C(80°F), W.B. 19.4°C(67°F)	D.B. 24°C(75°F), W.B. 18°C(65°F)		
	Minimum	D.B. 21.1°C(70°F), W.B. 15.6°C(60°F)	D.B. -25°C(-13°F), W.B. -26°C(-14°F)		

MULTI-POSITION AIR HANDLER

SPECIFICATIONS

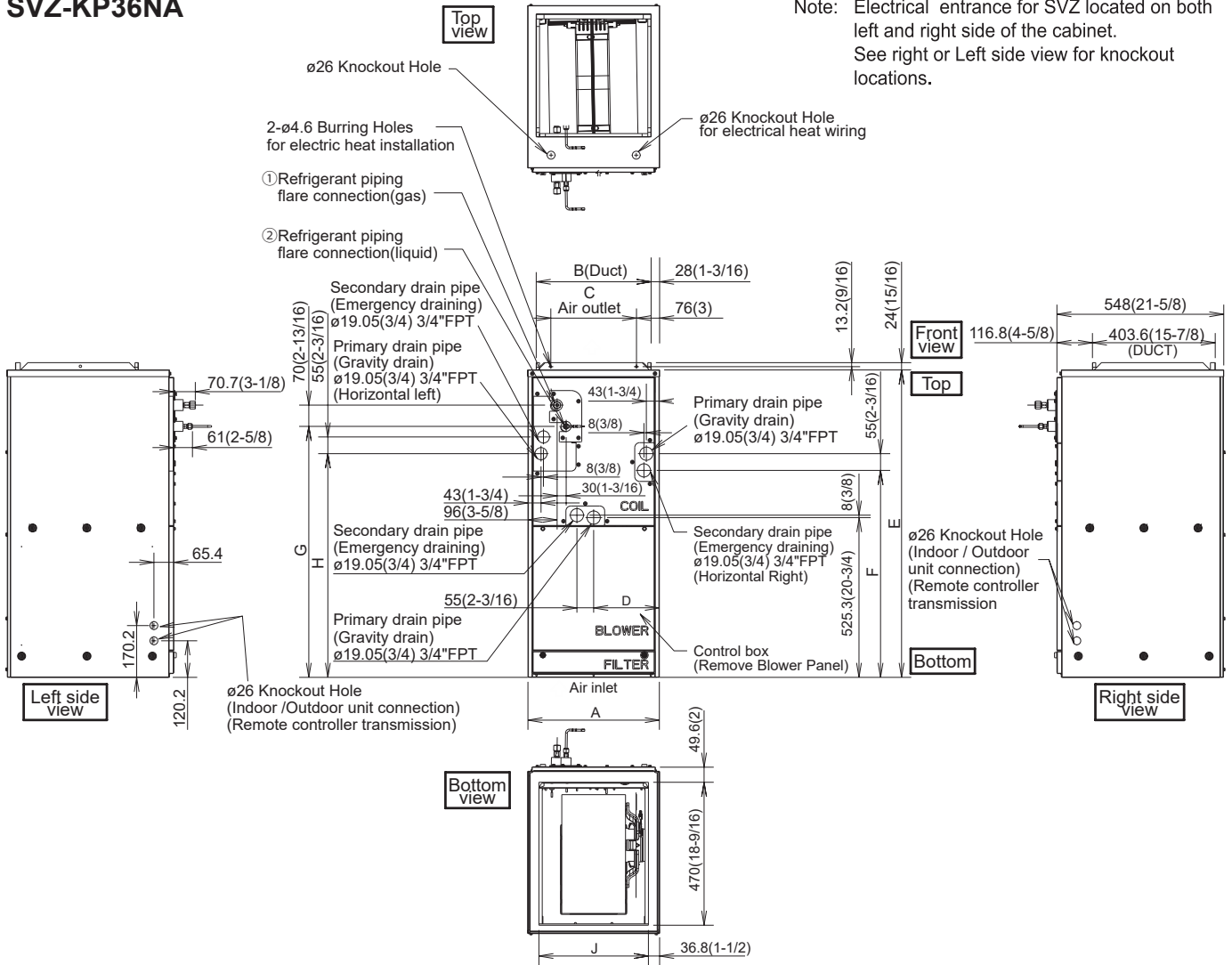
### A.7.2 OUTLINES AND DIMENSIONS

SVZ-KP12NA  
 SVZ-KP18NA  
 SVZ-KP24NA  
 SVZ-KP30NA  
 SVZ-KP36NA

Unit : mm(in.)

Note: Electrical entrance for SVZ located on both left and right side of the cabinet.  
 See right or Left side view for knockout locations.

MULTI-POSITION AIR HANDLER OUTLINES AND DIMENSIONS



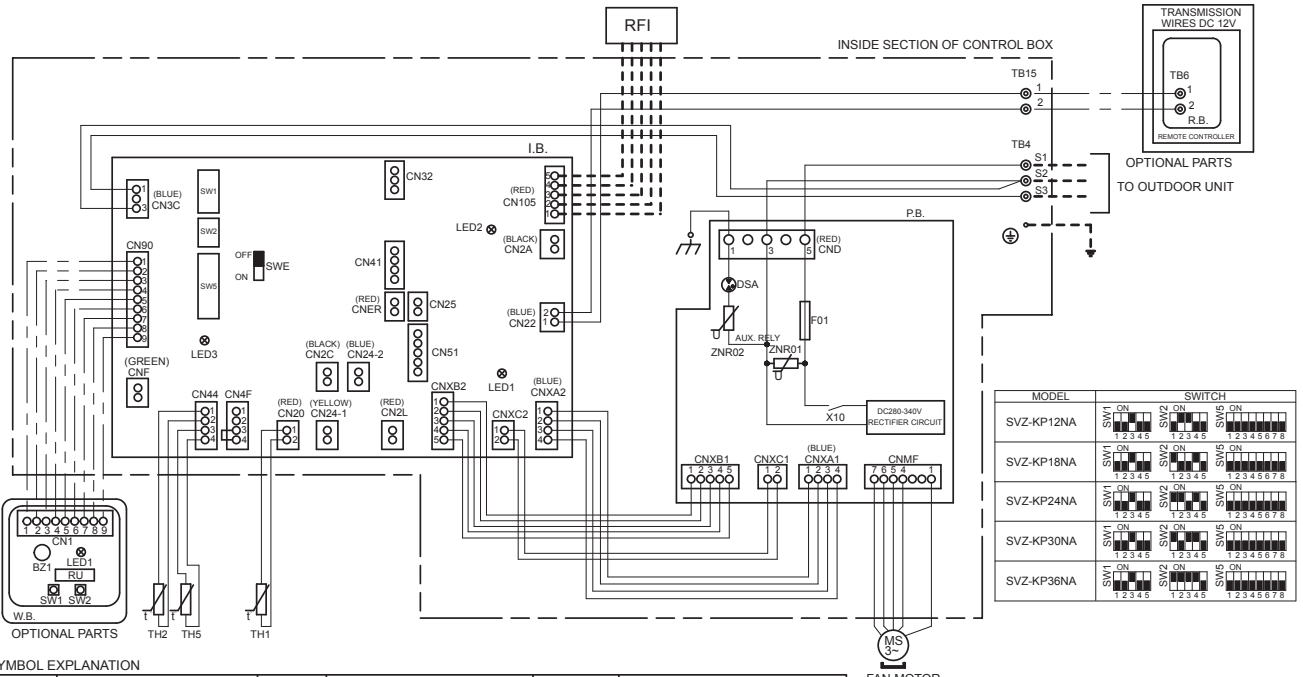
Unit:mm(in.)

Model	Nominal Filter Size	Duct Connection
SVZ-KP12NA	508 x 406.4 x 25.4 (20 x 16 x 1)	376 x 402 (14-13/16 x 15-7/8)
SVZ-KP18NA		
SVZ-KP24NA		
SVZ-KP30NA	508 x 508 x 25.4 (20 x 20 x 1)	477 x 402 (18-13/16 x 15-7/8)
SVZ-KP36NA		

Model	A	B	C	D	E	F	G	H	J	Gas Pipe	Liquid pipe
SVZ-KP12NA	432 (17)	376 (14-13/16)	281 (11-1/8)	224 (8-7/8)	1,010.8 (39-13/16)	680 (26-13/16)	823 (32-7/16)	735.5 (29)	360 (14-3/16)	$\phi$ 9.52 (3/8)	$\phi$ 6.35 (1/4)
SVZ-KP18NA										$\phi$ 12.7 (1/2)	
SVZ-KP24NA											
SVZ-KP30NA	534 (21)	477 (18-13/16)	382.6 (15-1/8)	266.5 (10-1/2)	1,113.8 (43-7/8)	737 (29-1/16)	953.5 (37-9/16)	792 (31-3/16)	461 (18-3/16)	$\phi$ 15.88 (5/8)	$\phi$ 9.52 (3/8)
SVZ-KP36NA											

### A.7.3 WIRING DIAGRAM

- SVZ-KP12NA
- SVZ-KP18NA
- SVZ-KP24NA
- SVZ-KP30NA
- SVZ-KP36NA



MODEL	SWITCH		
SVZ-KP12NA	SW1 ON 1 2 3 4 5	SW2 ON 1 2 3 4 5	SW5 ON 1 2 3 4 5 6 7 8
SVZ-KP18NA	SW1 ON 1 2 3 4 5	SW2 ON 1 2 3 4 5	SW5 ON 1 2 3 4 5 6 7 8
SVZ-KP24NA	SW1 ON 1 2 3 4 5	SW2 ON 1 2 3 4 5	SW5 ON 1 2 3 4 5 6 7 8
SVZ-KP30NA	SW1 ON 1 2 3 4 5	SW2 ON 1 2 3 4 5	SW5 ON 1 2 3 4 5 6 7 8
SVZ-KP36NA	SW1 ON 1 2 3 4 5	SW2 ON 1 2 3 4 5	SW5 ON 1 2 3 4 5 6 7 8

**SYMBOL EXPLANATION**

SYMBOL	NAME	SYMBOL	NAME	SYMBOL	NAME
I.B.	INDOOR CONTROLLER BOARD	I.B.	INDOOR CONTROLLER BOARD	OPTIONAL PARTS	
CN24-1	CONNECTOR (HEATER CONTROL 1ST)	SW1	SWITCH (FOR MODEL SELECTION)	W.B.	IR WIRELESS REMOTE CONTROLLER BOARD
CN24-2	CONNECTOR (HEATER CONTROL 2ND)	SW2	SWITCH (FOR CAPACITY CODE)	RU	RECEIVING UNIT
CN25	CONNECTOR (HUMIDITY OUTPUT)	SW5	SWITCH (FOR MODE SELECTION)	BZ1	BUZZER
CN2A	CONNECTOR (0-10V ANALOG INPUT)	SWE	CONNECTOR (EMERGENCY OPERATION)	LED1	LED(RUN INDICATOR)
CN2C	CONNECTOR (ERV OUTPUT)	P.B.	POWER SUPPLY BOARD	SW1	SWITCH(HEATING ON/OFF)
CN2L	CONNECTOR (LOSSNA)	F01	FUSE AC250V 6.3A	SW2	SWITCH(COOLING ON/OFF)
CN32	CONNECTOR (REMOTE SWITCH)	ZNR01,02	VARISTOR	R.B.	WIRED REMOTE CONTROLLER BOARD
CN41	CONNECTOR (HA TERMINAL-A)	DSA	ARRESTOR	TB6	TERMINAL BLOCK (REMOTE CONTROLLER TRANSMISSION LINE)
CN51	CONNECTOR (CENTRALLY CONTROL)	X10	AUX. RELY		
CN90	CONNECTOR (WIRELESS)	TH1	INTAKE AIR TEMP. THERMISTOR		
CN105	CONNECTOR (RADIO FREQUENCY INTERFACE)	TH2	PIPE TEMP. THERMISTOR/LIQUID		
CNER	CONNECTOR (ERV INPUT)	TH5	COND./EVA. TEMP. THERMISTOR		
CNF	CONNECTOR (HUMIDITY INPUT)	TB4	TERMINAL BLOCK (INDOOR/OUTDOOR CONNECTING LINE)		
LED1	LED(POWER SUPPLY)	TB15	TERMINAL BLOCK (REMOTE CONTROLLER TRANSMISSION LINE)		
LED2	LED(REMOTE CONTROLLER SUPPLY)				
LED3	LED(TRANSMISSION INDOOR-OUTDOOR)				
		RFI	RADIO FREQUENCY INTERFACE FOR RF THERMOSTAT		

Note1. Since the outdoor side electric wiring may change be sure to check the outdoor unit electric wiring for servicing.  
 2. Indoor and outdoor connecting wires are made with polarities, make wiring matching terminal numbers (S1, S2, S3).  
 3. Symbols used in wiring diagram above are as follows.  
 ○:CONNECTOR  
 ⊙:TERMINAL  
 - - - (HEAVY DOTTED LINE):FIELD WIRING  
 - - - (THIN DOTTED LINE):OPTIONAL PARTS  
 4. Use copper supply wire.  
 UTILISER DES FILS D'ALIMENTATION EN CUIVRE.

**Manipulation Details**

**1. Performing a test run for fan**

To perform a test run for the fan, turn on the SWE on the control board while the indoor unit is being powered.

Be sure to turn off the SWE after completing a test run.

Note) The SWE should not be left turned on for longer than 10 hours.

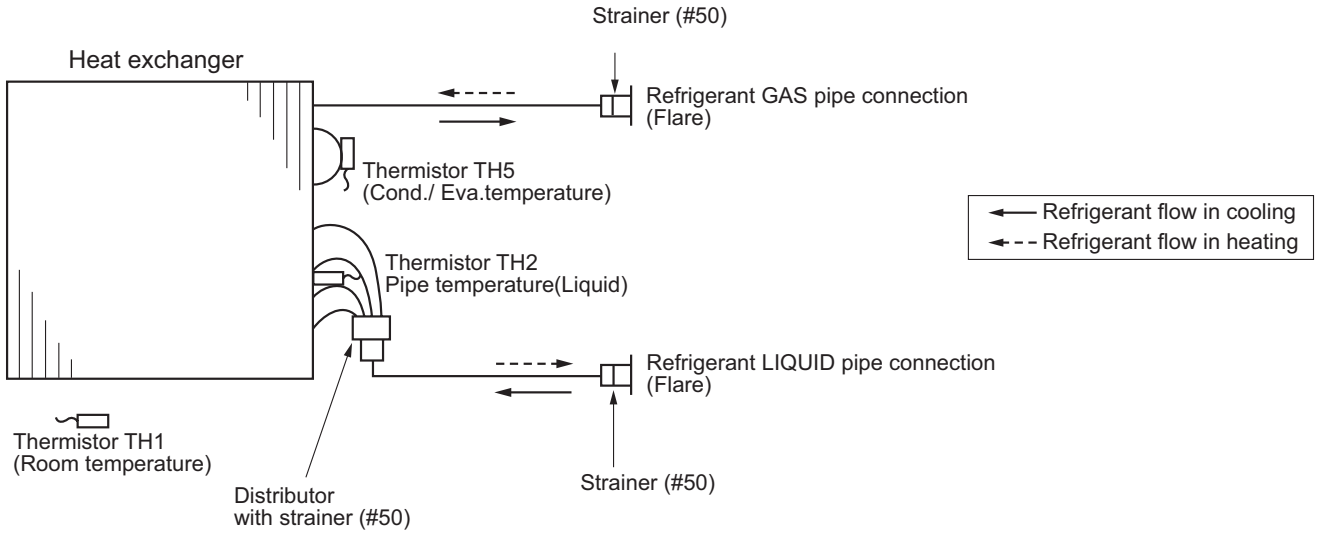
**2. OPERATION of LED for indoor circuit board service**

Symbol	LED operation under normal state
LED1	At applying main power source → Lighting
LED2	At receiving MA transmission power source → Lighting
LED3	At transmitting indoor-outdoor units → Flashing

MULTI-POSITION AIR HANDLER WIRING DIAGRAM

### A.7.4 REFRIGERANT SYSTEM DIAGRAM

- SVZ-KP12NA
- SVZ-KP18NA
- SVZ-KP24NA
- SVZ-KP30NA
- SVZ-KP36NA



MULTI-POSITION AIR HANDLER REFRIGERANT SYSTEM DIAGRAM



## A.7.5 PERFORMANCE DATA

## A.7.5.1 SUZ series

COOLING operation at Rated frequency

SVZ-KP12NA / SUZ-KA12NA2

CAPACITY : 12000(Btu/h) INPUT :0.94(kW) SHF :0.89

INDOOR		OUTDOOR DB(°F)															
DB(°F)	WB(°F)	68				77				86				95			
		CA	SHC	SHF	P.C.	CA	SHC	SHF	P.C.	CA	SHC	SHF	P.C.	CA	SHC	SHF	P.C.
68	61	12573	9882	0.79	0.62	11826	9295	0.79	0.71	10880	8552	0.79	0.77	9984	7847	0.79	0.84
68	64	13743	9153	0.67	0.69	12996	8655	0.67	0.77	12050	8025	0.67	0.84	11154	7428	0.67	0.90
68	61	12573	10385	0.83	0.62	11826	9768	0.83	0.71	10880	8987	0.83	0.77	9984	8247	0.83	0.84
68	64	13743	9702	0.71	0.69	12996	9175	0.71	0.77	12050	8507	0.71	0.84	11154	7874	0.71	0.90
68	68	14340	8403	0.59	0.73	13743	8053	0.59	0.79	12946	7586	0.59	0.87	12000	7032	0.59	0.94
72	61	12573	11391	0.91	0.62	11826	10714	0.91	0.71	10880	9857	0.91	0.77	9984	9045	0.91	0.84
72	64	13743	10802	0.79	0.69	12996	10215	0.79	0.77	12050	9471	0.79	0.84	11154	8767	0.79	0.90
72	68	14340	9551	0.67	0.73	13743	9153	0.67	0.79	12946	8622	0.67	0.87	12000	7992	0.67	0.94
75	61	12573	12397	0.99	0.62	11826	11660	0.99	0.71	10880	10728	0.99	0.77	9984	9844	0.99	0.84
75	64	13743	11901	0.87	0.69	12996	11254	0.87	0.77	12050	10435	0.87	0.84	11154	9659	0.87	0.90
75	68	14340	10698	0.75	0.73	13743	10252	0.75	0.79	12946	9658	0.75	0.87	12000	8952	0.75	0.94
75	72	15137	9476	0.63	0.76	14639	9164	0.63	0.84	13743	8603	0.63	0.91	12846	8042	0.63	0.98
79	61	12573	12573	1.00	0.62	11826	11826	1.00	0.71	10880	10880	1.00	0.77	9984	9984	1.00	0.84
79	64	13743	13001	0.95	0.69	12996	12294	0.95	0.77	12050	11399	0.95	0.84	11154	10551	0.95	0.90
79	68	14340	11845	0.83	0.73	13743	11352	0.83	0.79	12946	10693	0.83	0.87	12000	9912	0.83	0.94
79	72	15137	10687	0.71	0.76	14639	10335	0.71	0.84	13743	9702	0.71	0.91	12846	9070	0.71	0.98
81	61	12573	12573	1.00	0.62	11826	11826	1.00	0.71	10880	10880	1.00	0.77	9984	9984	1.00	0.84
81	64	13743	13550	0.99	0.69	12996	12814	0.99	0.77	12050	11881	0.99	0.84	11154	10997	0.99	0.90
81	68	14340	12419	0.87	0.73	13743	11901	0.87	0.79	12946	11211	0.87	0.87	12000	10392	0.87	0.94
81	72	15137	11292	0.75	0.76	14639	10921	0.75	0.84	13743	10252	0.75	0.91	12846	9583	0.75	0.98
82	61	12573	12573	1.00	0.62	11826	11826	1.00	0.71	10880	10880	1.00	0.77	9984	9984	1.00	0.84
82	64	13743	13743	1.00	0.69	12996	12996	1.00	0.77	12050	12050	1.00	0.84	11154	11154	1.00	0.90
82	68	14340	12992	0.91	0.73	13743	12451	0.91	0.79	12946	11729	0.91	0.87	12000	10872	0.91	0.94
82	72	15137	11898	0.79	0.76	14639	11506	0.79	0.84	13743	10802	0.79	0.91	12846	10097	0.79	0.98
86	61	12573	12573	1.00	0.62	11826	11826	1.00	0.71	10880	10880	1.00	0.77	9984	9984	1.00	0.84
86	64	13743	13743	1.00	0.69	12996	12996	1.00	0.77	12050	12050	1.00	0.84	11154	11154	1.00	0.90
86	68	14340	14139	0.99	0.73	13743	13550	0.99	0.79	12946	12765	0.99	0.87	12000	11832	0.99	0.94
86	72	15137	13109	0.87	0.76	14639	12677	0.87	0.84	13743	11901	0.87	0.91	12846	11125	0.87	0.98
90	61	12573	12573	1.00	0.62	11826	11826	1.00	0.71	10880	10880	1.00	0.77	9984	9984	1.00	0.84
90	64	13743	13743	1.00	0.69	12996	12996	1.00	0.77	12050	12050	1.00	0.84	11154	11154	1.00	0.90
90	68	14340	14340	1.00	0.73	13743	13743	1.00	0.79	12946	12946	1.00	0.87	12000	12000	1.00	0.94
90	72	15137	14320	0.95	0.76	14639	13848	0.95	0.84	13743	13001	0.95	0.91	12846	12153	0.95	0.98

Note: C A :Capacity (Btu/h)  
P.C. :Power consumption (kW)

SHC :Sensible heat capacity (Btu/h)  
SHF :Sensible heat factor

**COOLING operation at Rated frequency**  
**SVZ-KP12NA / SUZ-KA12NA2**

CAPACITY : 12000(Btu/h) INPUT :0.94(kW) SHF :0.89

		OUTDOOR DB(°F)							
INDOOR DB(°F)	INDOOR WB(°F)	104				115			
		CA	SHC	SHF	P.C.	CA	SHC	SHF	P.C.
68	61	9087	7143	0.79	0.88	8191	6438	0.79	0.92
68	64	10257	6831	0.67	0.94	9361	6234	0.67	0.99
68	61	9087	7506	0.83	0.88	8191	6766	0.83	0.92
68	64	10257	7242	0.71	0.94	9361	6609	0.71	0.99
68	68	11054	6478	0.59	0.99	10257	6011	0.59	1.03
72	61	9087	8233	0.91	0.88	8191	7421	0.91	0.92
72	64	10257	8062	0.79	0.94	9361	7358	0.79	0.99
72	68	11054	7362	0.67	0.99	10257	6831	0.67	1.03
75	61	9087	8960	0.99	0.88	8191	8077	0.99	0.92
75	64	10257	8883	0.87	0.94	9361	8107	0.87	0.99
75	68	11054	8246	0.75	0.99	10257	7652	0.75	1.03
75	72	11950	7481	0.63	1.03	10954	6857	0.63	1.06
79	61	9087	9087	1.00	0.88	8191	8191	1.00	0.92
79	64	10257	9703	0.95	0.94	9361	8856	0.95	0.99
79	68	11054	9131	0.83	0.99	10257	8472	0.83	1.03
79	72	11950	8437	0.71	1.03	10954	7734	0.71	1.06
81	61	9087	9087	1.00	0.88	8191	8191	1.00	0.92
81	64	10257	10114	0.99	0.94	9361	9230	0.99	0.99
81	68	11054	9573	0.87	0.99	10257	8883	0.87	1.03
81	72	11950	8915	0.75	1.03	10954	8172	0.75	1.06
82	61	9087	9087	1.00	0.88	8191	8191	1.00	0.92
82	64	10257	10257	1.00	0.94	9361	9361	1.00	0.99
82	68	11054	10015	0.91	0.99	10257	9293	0.91	1.03
82	72	11950	9393	0.79	1.03	10954	8610	0.79	1.06
86	61	9087	9087	1.00	0.88	8191	8191	1.00	0.92
86	64	10257	10257	1.00	0.94	9361	9361	1.00	0.99
86	68	11054	10899	0.99	0.99	10257	10114	0.99	1.03
86	72	11950	10349	0.87	1.03	10954	9486	0.87	1.06
90	61	9087	9087	1.00	0.88	8191	8191	1.00	0.92
90	64	10257	10257	1.00	0.94	9361	9361	1.00	0.99
90	68	11054	11054	1.00	0.99	10257	10257	1.00	1.03
90	72	11950	11305	0.95	1.03	10954	10363	0.95	1.06

MULTI-POSITION AIR HANDLER PERFORMANCE DATA

Note: CA :Capacity (Btu/h) SHC :Sensible heat capacity (Btu/h)  
 P.C. :Power consumption (kW) SHF :Sensible heat factor

**COOLING operation at Rated frequency**  
**SVZ-KP18NA / SUZ-KA18NA2**

CAPACITY : 18000(Btu/h) INPUT :1.36(kW) SHF :0.85

		OUTDOOR DB(°F)															
INDOOR DB(°F)	INDOOR WB(°F)	68				77				86				95			
		CA	SHC	SHF	P.C.	CA	SHC	SHF	P.C.	CA	SHC	SHF	P.C.	CA	SHC	SHF	P.C.
68	61	18859	14069	0.75	0.90	17739	13233	0.75	1.02	16320	12175	0.75	1.12	14976	11172	0.75	1.21
68	64	20614	12904	0.63	0.99	19494	12203	0.63	1.12	18075	11315	0.63	1.21	16730	10473	0.63	1.30
68	61	18859	14823	0.79	0.90	17739	13943	0.79	1.02	16320	12828	0.79	1.12	14976	11771	0.79	1.21
68	64	20614	13729	0.67	0.99	19494	12983	0.67	1.12	18075	12038	0.67	1.21	16730	11142	0.67	1.30
68	68	21510	11745	0.55	1.05	20614	11255	0.55	1.14	19419	10603	0.55	1.25	18000	9828	0.55	1.36
72	61	18859	16332	0.87	0.90	17739	15362	0.87	1.02	16320	14133	0.87	1.12	14976	12969	0.87	1.21
72	64	20614	15378	0.75	0.99	19494	14542	0.75	1.12	18075	13484	0.75	1.21	16730	12481	0.75	1.30
72	68	21510	13465	0.63	1.05	20614	12904	0.63	1.14	19419	12156	0.63	1.25	18000	11268	0.63	1.36
75	61	18859	17841	0.95	0.90	17739	16781	0.95	1.02	16320	15439	0.95	1.12	14976	14167	0.95	1.21
75	64	20614	17027	0.83	0.99	19494	16102	0.83	1.12	18075	14930	0.83	1.21	16730	13819	0.83	1.30
75	68	21510	15186	0.71	1.05	20614	14554	0.71	1.14	19419	13710	0.71	1.25	18000	12708	0.71	1.36
75	72	22705	13305	0.59	1.09	21959	12868	0.59	1.21	20614	12080	0.59	1.32	19270	11292	0.59	1.42
79	61	18859	18859	1.00	0.90	17739	17739	1.00	1.02	16320	16320	1.00	1.12	14976	14976	1.00	1.21
79	64	20614	18676	0.91	0.99	19494	17661	0.91	1.12	18075	16376	0.91	1.21	16730	15158	0.91	1.30
79	68	21510	16907	0.79	1.05	20614	16203	0.79	1.14	19419	15263	0.79	1.25	18000	14148	0.79	1.36
79	72	22705	15122	0.67	1.09	21959	14624	0.67	1.21	20614	13729	0.67	1.32	19270	12834	0.67	1.42
81	61	18859	18859	1.00	0.90	17739	17739	1.00	1.02	16320	16320	1.00	1.12	14976	14976	1.00	1.21
81	64	20614	19501	0.95	0.99	19494	18441	0.95	1.12	18075	17099	0.95	1.21	16730	15827	0.95	1.30
81	68	21510	17768	0.83	1.05	20614	17027	0.83	1.14	19419	16040	0.83	1.25	18000	14868	0.83	1.36
81	72	22705	16030	0.71	1.09	21959	15503	0.71	1.21	20614	14554	0.71	1.32	19270	13604	0.71	1.42
82	61	18859	18859	1.00	0.90	17739	17739	1.00	1.02	16320	16320	1.00	1.12	14976	14976	1.00	1.21
82	64	20614	20326	0.99	0.99	19494	19221	0.99	1.12	18075	17822	0.99	1.21	16730	16496	0.99	1.30
82	68	21510	18628	0.87	1.05	20614	17852	0.87	1.14	19419	16817	0.87	1.25	18000	15588	0.87	1.36
82	72	22705	16938	0.75	1.09	21959	16381	0.75	1.21	20614	15378	0.75	1.32	19270	14375	0.75	1.42
86	61	18859	18859	1.00	0.90	17739	17739	1.00	1.02	16320	16320	1.00	1.12	14976	14976	1.00	1.21
86	64	20614	20614	1.00	0.99	19494	19494	1.00	1.12	18075	18075	1.00	1.21	16730	16730	1.00	1.30
86	68	21510	20349	0.95	1.05	20614	19501	0.95	1.14	19419	18370	0.95	1.25	18000	17028	0.95	1.36
86	72	22705	18755	0.83	1.09	21959	18138	0.83	1.21	20614	17027	0.83	1.32	19270	15917	0.83	1.42
90	61	18859	18859	1.00	0.90	17739	17739	1.00	1.02	16320	16320	1.00	1.12	14976	14976	1.00	1.21
90	64	20614	20614	1.00	0.99	19494	19494	1.00	1.12	18075	18075	1.00	1.21	16730	16730	1.00	1.30
90	68	21510	21510	1.00	1.05	20614	20614	1.00	1.14	19419	19419	1.00	1.25	18000	18000	1.00	1.36
90	72	22705	20571	0.91	1.09	21959	19894	0.91	1.21	20614	18676	0.91	1.32	19270	17458	0.91	1.42

MULTI-POSITION AIR HANDLER  
 PERFORMANCE DATA

Note: C A :Capacity (Btu/h) SHC :Sensible heat capacity (Btu/h)  
 P.C. :Power consumption (kW) SHF :Sensible heat factor

**COOLING operation at Rated frequency**  
**SVZ-KP18NA / SUZ-KA18NA2**

CAPACITY : 18000(Btu/h) INPUT :1.36(kW) SHF :0.85

		OUTDOOR DB(°F)							
INDOOR DB(°F)	INDOOR WB(°F)	104				115			
		CA	SHC	SHF	P.C.	CA	SHC	SHF	P.C.
68	61	13631	10169	0.75	1.27	12287	9166	0.75	1.34
68	64	15386	9632	0.63	1.37	14041	8790	0.63	1.43
68	61	13631	10714	0.79	1.27	12287	9657	0.79	1.34
68	64	15386	10247	0.67	1.37	14041	9352	0.67	1.43
68	68	16581	9053	0.55	1.43	15386	8401	0.55	1.49
72	61	13631	11805	0.87	1.27	12287	10640	0.87	1.34
72	64	15386	11478	0.75	1.37	14041	10475	0.75	1.43
72	68	16581	10380	0.63	1.43	15386	9632	0.63	1.49
75	61	13631	12895	0.95	1.27	12287	11623	0.95	1.34
75	64	15386	12709	0.83	1.37	14041	11598	0.83	1.43
75	68	16581	11706	0.71	1.43	15386	10862	0.71	1.49
75	72	17925	10504	0.59	1.48	16432	9629	0.59	1.53
79	61	13631	13631	1.00	1.27	12287	12287	1.00	1.34
79	64	15386	13940	0.91	1.37	14041	12722	0.91	1.43
79	68	16581	13033	0.79	1.43	15386	12093	0.79	1.49
79	72	17925	11938	0.67	1.48	16432	10943	0.67	1.53
81	61	13631	13631	1.00	1.27	12287	12287	1.00	1.34
81	64	15386	14555	0.95	1.37	14041	13283	0.95	1.43
81	68	16581	13696	0.83	1.43	15386	12709	0.83	1.49
81	72	17925	12655	0.71	1.48	16432	11601	0.71	1.53
82	61	13631	13631	1.00	1.27	12287	12287	1.00	1.34
82	64	15386	15170	0.99	1.37	14041	13845	0.99	1.43
82	68	16581	14359	0.87	1.43	15386	13324	0.87	1.49
82	72	17925	13372	0.75	1.48	16432	12258	0.75	1.53
86	61	13631	13631	1.00	1.27	12287	12287	1.00	1.34
86	64	15386	15386	1.00	1.37	14041	14041	1.00	1.43
86	68	16581	15686	0.95	1.43	15386	14555	0.95	1.49
86	72	17925	14806	0.83	1.48	16432	13572	0.83	1.53
90	61	13631	13631	1.00	1.27	12287	12287	1.00	1.34
90	64	15386	15386	1.00	1.37	14041	14041	1.00	1.43
90	68	16581	16581	1.00	1.43	15386	15386	1.00	1.49
90	72	17925	16240	0.91	1.48	16432	14887	0.91	1.53

MULTI-POSITION AIR HANDLER PERFORMANCE DATA

Note: C A :Capacity (Btu/h) SHC :Sensible heat capacity (Btu/h)  
 P.C. :Power consumption (kW) SHF :Sensible heat factor

## COOLING operation at Rated frequency

## SVZ-KP24NA / SUZ-KA24NA2

CAPACITY : 24000(Btu/h) INPUT :1.92(kW) SHF :0.81

		OUTDOOR DB(°F)															
INDOOR DB(°F)	INDOOR WB(°F)	68				77				86				95			
		CA	SHC	SHF	P.C.	CA	SHC	SHF	P.C.	CA	SHC	SHF	P.C.	CA	SHC	SHF	P.C.
68	61	25146	17753	0.71	1.27	23652	16698	0.71	1.45	21760	15363	0.71	1.58	19967	14097	0.71	1.71
68	64	27485	16106	0.59	1.40	25992	15231	0.59	1.58	24100	14122	0.59	1.71	22307	13072	0.59	1.84
68	61	25146	18759	0.75	1.27	23652	17644	0.75	1.45	21760	16233	0.75	1.58	19967	14896	0.75	1.71
68	64	27485	17206	0.63	1.40	25992	16271	0.63	1.58	24100	15086	0.63	1.71	22307	13964	0.63	1.84
68	68	28680	14512	0.51	1.48	27485	13908	0.51	1.61	25892	13101	0.51	1.77	24000	12144	0.51	1.92
72	61	25146	20771	0.83	1.27	23652	19537	0.83	1.45	21760	17974	0.83	1.58	19967	16493	0.83	1.71
72	64	27485	19405	0.71	1.40	25992	18350	0.71	1.58	24100	17014	0.71	1.71	22307	15749	0.71	1.84
72	68	28680	16807	0.59	1.48	27485	16106	0.59	1.61	25892	15173	0.59	1.77	24000	14064	0.59	1.92
75	61	25146	22782	0.91	1.27	23652	21429	0.91	1.45	21760	19715	0.91	1.58	19967	18091	0.91	1.71
75	64	27485	21604	0.79	1.40	25992	20429	0.79	1.58	24100	18942	0.79	1.71	22307	17533	0.79	1.84
75	68	28680	19101	0.67	1.48	27485	18305	0.67	1.61	25892	17244	0.67	1.77	24000	15984	0.67	1.92
75	72	30274	16530	0.55	1.54	29278	15986	0.55	1.71	27485	15007	0.55	1.86	25693	14028	0.55	2.00
79	61	25146	24794	0.99	1.27	23652	23321	0.99	1.45	21760	21455	0.99	1.58	19967	19688	0.99	1.71
79	64	27485	23802	0.87	1.40	25992	22509	0.87	1.58	24100	20870	0.87	1.71	22307	19318	0.87	1.84
79	68	28680	21396	0.75	1.48	27485	20504	0.75	1.61	25892	19316	0.75	1.77	24000	17904	0.75	1.92
79	72	30274	18951	0.63	1.54	29278	18328	0.63	1.71	27485	17206	0.63	1.86	25693	16084	0.63	2.00
81	61	25146	25146	1.00	1.27	23652	23652	1.00	1.45	21760	21760	1.00	1.58	19967	19967	1.00	1.71
81	64	27485	24902	0.91	1.40	25992	23548	0.91	1.58	24100	21834	0.91	1.71	22307	20210	0.91	1.84
81	68	28680	22543	0.79	1.48	27485	21604	0.79	1.61	25892	20351	0.79	1.77	24000	18864	0.79	1.92
81	72	30274	20162	0.67	1.54	29278	19499	0.67	1.71	27485	18305	0.67	1.86	25693	17112	0.67	2.00
82	61	25146	25146	1.00	1.27	23652	23652	1.00	1.45	21760	21760	1.00	1.58	19967	19967	1.00	1.71
82	64	27485	26001	0.95	1.40	25992	24588	0.95	1.58	24100	22798	0.95	1.71	22307	21102	0.95	1.84
82	68	28680	23690	0.83	1.48	27485	22703	0.83	1.61	25892	21387	0.83	1.77	24000	19824	0.83	1.92
82	72	30274	21373	0.71	1.54	29278	20670	0.71	1.71	27485	19405	0.71	1.86	25693	18139	0.71	2.00
86	61	25146	25146	1.00	1.27	23652	23652	1.00	1.45	21760	21760	1.00	1.58	19967	19967	1.00	1.71
86	64	27485	27485	1.00	1.40	25992	25992	1.00	1.58	24100	24100	1.00	1.71	22307	22307	1.00	1.84
86	68	28680	25985	0.91	1.48	27485	24902	0.91	1.61	25892	23458	0.91	1.77	24000	21744	0.91	1.92
86	72	30274	23795	0.79	1.54	29278	23013	0.79	1.71	27485	21604	0.79	1.86	25693	20195	0.79	2.00
90	61	25146	25146	1.00	1.27	23652	23652	1.00	1.45	21760	21760	1.00	1.58	19967	19967	1.00	1.71
90	64	27485	27485	1.00	1.40	25992	25992	1.00	1.58	24100	24100	1.00	1.71	22307	22307	1.00	1.84
90	68	28680	28279	0.99	1.48	27485	27101	0.99	1.61	25892	25530	0.99	1.77	24000	23664	0.99	1.92
90	72	30274	26217	0.87	1.54	29278	25355	0.87	1.71	27485	23802	0.87	1.86	25693	22250	0.87	2.00

Note: C A :Capacity (Btu/h)  
P.C. :Power consumption (kW)

SHC :Sensible heat capacity (Btu/h)  
SHF :Sensible heat factor

**COOLING operation at Rated frequency**  
**SVZ-KP24NA / SUZ-KA24NA2**

CAPACITY : 24000(Btu/h) INPUT :1.92(kW) SHF :0.81

		OUTDOOR DB(°F)							
INDOOR DB(°F)	INDOOR WB(°F)	104				115			
		CA	SHC	SHF	P.C.	CA	SHC	SHF	P.C.
68	61	18175	12832	0.71	1.80	16382	11566	0.71	1.89
68	64	20515	12022	0.59	1.93	18722	10971	0.59	2.02
68	61	18175	13558	0.75	1.80	16382	12221	0.75	1.89
68	64	20515	12842	0.63	1.93	18722	11720	0.63	2.02
68	68	22108	11187	0.51	2.02	20515	10380	0.51	2.10
72	61	18175	15012	0.83	1.80	16382	13532	0.83	1.89
72	64	20515	14483	0.71	1.93	18722	13218	0.71	2.02
72	68	22108	12955	0.59	2.02	20515	12022	0.59	2.10
75	61	18175	16466	0.91	1.80	16382	14842	0.91	1.89
75	64	20515	16124	0.79	1.93	18722	14715	0.79	2.02
75	68	22108	14724	0.67	2.02	20515	13663	0.67	2.10
75	72	23900	13050	0.55	2.10	21909	11962	0.55	2.16
79	61	18175	17920	0.99	1.80	16382	16153	0.99	1.89
79	64	20515	17766	0.87	1.93	18722	16213	0.87	2.02
79	68	22108	16492	0.75	2.02	20515	15304	0.75	2.10
79	72	23900	14962	0.63	2.10	21909	13715	0.63	2.16
81	61	18175	18175	1.00	1.80	16382	16382	1.00	1.89
81	64	20515	18586	0.91	1.93	18722	16962	0.91	2.02
81	68	22108	17377	0.79	2.02	20515	16124	0.79	2.10
81	72	23900	15918	0.67	2.10	21909	14591	0.67	2.16
82	61	18175	18175	1.00	1.80	16382	16382	1.00	1.89
82	64	20515	19407	0.95	1.93	18722	17711	0.95	2.02
82	68	22108	18261	0.83	2.02	20515	16945	0.83	2.10
82	72	23900	16874	0.71	2.10	21909	15468	0.71	2.16
86	61	18175	18175	1.00	1.80	16382	16382	1.00	1.89
86	64	20515	20515	1.00	1.93	18722	18722	1.00	2.02
86	68	22108	20030	0.91	2.02	20515	18586	0.91	2.10
86	72	23900	18786	0.79	2.10	21909	17220	0.79	2.16
90	61	18175	18175	1.00	1.80	16382	16382	1.00	1.89
90	64	20515	20515	1.00	1.93	18722	18722	1.00	2.02
90	68	22108	21798	0.99	2.02	20515	20227	0.99	2.10
90	72	23900	20698	0.87	2.10	21909	18973	0.87	2.16

MULTI-POSITION AIR HANDLER PERFORMANCE DATA

Note: CA :Capacity (Btu/h) SHC :Sensible heat capacity (Btu/h)  
 P.C. :Power consumption (kW) SHF :Sensible heat factor

**COOLING operation at Rated frequency****SVZ-KP30NA / SUZ-KA30NA2**

CAPACITY : 27000(Btu/h) INPUT :2.16(kW) SHF :0.9

		OUTDOOR DB(°F)															
INDOOR DB(°F)	INDOOR WB(°F)	68				77				86				95			
		CA	SHC	SHF	P.C.	CA	SHC	SHF	P.C.	CA	SHC	SHF	P.C.	CA	SHC	SHF	P.C.
68	61	28289	22518	0.80	1.43	26609	21180	0.80	1.63	24480	19486	0.80	1.78	22463	17881	0.80	1.92
68	64	30921	20903	0.68	1.58	29241	19767	0.68	1.77	27112	18328	0.68	1.92	25095	16965	0.68	2.07
68	61	28289	23650	0.84	1.43	26609	22245	0.84	1.63	24480	20465	0.84	1.78	22463	18779	0.84	1.92
68	64	30921	22140	0.72	1.58	29241	20936	0.72	1.77	27112	19412	0.72	1.92	25095	17968	0.72	2.07
68	68	32266	19230	0.60	1.67	30921	18429	0.60	1.81	29129	17361	0.60	1.99	27000	16092	0.60	2.16
72	61	28289	25913	0.92	1.43	26609	24373	0.92	1.63	24480	22424	0.92	1.78	22463	20576	0.92	1.92
72	64	30921	24613	0.80	1.58	29241	23276	0.80	1.77	27112	21581	0.80	1.92	25095	19976	0.80	2.07
72	68	32266	21812	0.68	1.67	30921	20903	0.68	1.81	29129	19691	0.68	1.99	27000	18252	0.68	2.16
75	61	28289	28176	1.00	1.43	26609	26502	1.00	1.63	24480	24382	1.00	1.78	22463	22374	1.00	1.92
75	64	30921	27087	0.88	1.58	29241	25615	0.88	1.77	27112	23750	0.88	1.92	25095	21984	0.88	2.07
75	68	32266	24393	0.76	1.67	30921	23376	0.76	1.81	29129	22021	0.76	1.99	27000	20412	0.76	2.16
75	72	34058	21661	0.64	1.74	32938	20948	0.64	1.92	30921	19666	0.64	2.09	28905	18383	0.64	2.25
79	61	28289	28289	1.00	1.43	26609	26609	1.00	1.63	24480	24480	1.00	1.78	22463	22463	1.00	1.92
79	64	30921	29561	0.96	1.58	29241	27954	0.96	1.77	27112	25919	0.96	1.92	25095	23991	0.96	2.07
79	68	32266	26974	0.84	1.67	30921	25850	0.84	1.81	29129	24352	0.84	1.99	27000	22572	0.84	2.16
79	72	34058	24386	0.72	1.74	32938	23583	0.72	1.92	30921	22140	0.72	2.09	28905	20696	0.72	2.25
81	61	28289	28289	1.00	1.43	26609	26609	1.00	1.63	24480	24480	1.00	1.78	22463	22463	1.00	1.92
81	64	30921	30797	1.00	1.58	29241	29124	1.00	1.77	27112	27004	1.00	1.92	25095	24995	1.00	2.07
81	68	32266	28265	0.88	1.67	30921	27087	0.88	1.81	29129	25517	0.88	1.99	27000	23652	0.88	2.16
81	72	34058	25748	0.76	1.74	32938	24901	0.76	1.92	30921	23376	0.76	2.09	28905	21852	0.76	2.25
82	61	28289	28289	1.00	1.43	26609	26609	1.00	1.63	24480	24480	1.00	1.78	22463	22463	1.00	1.92
82	64	30921	30921	1.00	1.58	29241	29241	1.00	1.77	27112	27112	1.00	1.92	25095	25095	1.00	2.07
82	68	32266	29555	0.92	1.67	30921	28324	0.92	1.81	29129	26682	0.92	1.99	27000	24732	0.92	2.16
82	72	34058	27110	0.80	1.74	32938	26218	0.80	1.92	30921	24613	0.80	2.09	28905	23008	0.80	2.25
86	61	28289	28289	1.00	1.43	26609	26609	1.00	1.63	24480	24480	1.00	1.78	22463	22463	1.00	1.92
86	64	30921	30921	1.00	1.58	29241	29241	1.00	1.77	27112	27112	1.00	1.92	25095	25095	1.00	2.07
86	68	32266	32136	1.00	1.67	30921	30797	1.00	1.81	29129	29012	1.00	1.99	27000	26892	1.00	2.16
86	72	34058	29835	0.88	1.74	32938	28853	0.88	1.92	30921	27087	0.88	2.09	28905	25320	0.88	2.25
90	61	28289	28289	1.00	1.43	26609	26609	1.00	1.63	24480	24480	1.00	1.78	22463	22463	1.00	1.92
90	64	30921	30921	1.00	1.58	29241	29241	1.00	1.77	27112	27112	1.00	1.92	25095	25095	1.00	2.07
90	68	32266	32266	1.00	1.67	30921	30921	1.00	1.81	29129	29129	1.00	1.99	27000	27000	1.00	2.16
90	72	34058	32560	0.96	1.74	32938	31488	0.96	1.92	30921	29561	0.96	2.09	28905	27633	0.96	2.25

Note: CA :Capacity (Btu/h)  
P.C. :Power consumption (kW)

SHC :Sensible heat capacity (Btu/h)  
SHF :Sensible heat factor

**COOLING operation at Rated frequency**  
**SVZ-KP30NA / SUZ-KA30NA2**

CAPACITY : 27000(Btu/h) INPUT :2.16(kW) SHF :0.9

		OUTDOOR DB(°F)							
INDOOR DB(°F)	INDOOR WB(°F)	104				115			
		CA	SHC	SHF	P.C.	CA	SHC	SHF	P.C.
68	61	20447	16276	0.80	2.02	18430	14670	0.80	2.12
68	64	23079	15601	0.68	2.17	21062	14238	0.68	2.27
68	61	20447	17094	0.84	2.02	18430	15408	0.84	2.12
68	64	23079	16524	0.72	2.17	21062	15081	0.72	2.27
68	68	24871	14823	0.60	2.27	23079	13755	0.60	2.37
72	61	20447	18729	0.92	2.02	18430	16882	0.92	2.12
72	64	23079	18371	0.80	2.17	21062	16766	0.80	2.27
72	68	24871	16813	0.68	2.27	23079	15601	0.68	2.37
75	61	20447	20365	1.00	2.02	18430	18356	1.00	2.12
75	64	23079	20217	0.88	2.17	21062	18451	0.88	2.27
75	68	24871	18803	0.76	2.27	23079	17448	0.76	2.37
75	72	26888	17101	0.64	2.36	24647	15676	0.64	2.43
79	61	20447	20447	1.00	2.02	18430	18430	1.00	2.12
79	64	23079	22063	0.96	2.17	21062	20136	0.96	2.27
79	68	24871	20792	0.84	2.27	23079	19294	0.84	2.37
79	72	26888	19252	0.72	2.36	24647	17647	0.72	2.43
81	61	20447	20447	1.00	2.02	18430	18430	1.00	2.12
81	64	23079	22987	1.00	2.17	21062	20978	1.00	2.27
81	68	24871	21787	0.88	2.27	23079	20217	0.88	2.37
81	72	26888	20327	0.76	2.36	24647	18633	0.76	2.43
82	61	20447	20447	1.00	2.02	18430	18430	1.00	2.12
82	64	23079	23079	1.00	2.17	21062	21062	1.00	2.27
82	68	24871	22782	0.92	2.27	23079	21140	0.92	2.37
82	72	26888	21403	0.80	2.36	24647	19619	0.80	2.43
86	61	20447	20447	1.00	2.02	18430	18430	1.00	2.12
86	64	23079	23079	1.00	2.17	21062	21062	1.00	2.27
86	68	24871	24772	1.00	2.27	23079	22987	1.00	2.37
86	72	26888	23554	0.88	2.36	24647	21591	0.88	2.43
90	61	20447	20447	1.00	2.02	18430	18430	1.00	2.12
90	64	23079	23079	1.00	2.17	21062	21062	1.00	2.27
90	68	24871	24871	1.00	2.27	23079	23079	1.00	2.37
90	72	26888	25705	0.96	2.36	24647	23563	0.96	2.43

MULTI-POSITION AIR HANDLER PERFORMANCE DATA

Note: CA :Capacity (Btu/h) SHC :Sensible heat capacity (Btu/h)  
 P.C. :Power consumption (kW) SHF :Sensible heat factor



**COOLING operation at Rated frequency**

**SVZ-KP36NA / SUZ-KA36NA2**

CAPACITY : 33400(Btu/h) INPUT :3.711(kW) SHF :0.84

		OUTDOOR DB(°F)															
INDOOR DB(°F)	INDOOR WB(°F)	68				77				86				95			
		CA	SHC	SHF	P.C.	CA	SHC	SHF	P.C.	CA	SHC	SHF	P.C.	CA	SHC	SHF	P.C.
68	61	34995	25756	0.74	2.46	32916	24226	0.74	2.79	30283	22288	0.74	3.05	27788	20452	0.74	3.31
68	64	38251	23562	0.62	2.71	36172	22282	0.62	3.05	33539	20660	0.62	3.30	31044	19123	0.62	3.56
68	61	34995	27156	0.78	2.46	32916	25543	0.78	2.79	30283	23499	0.78	3.05	27788	21564	0.78	3.31
68	64	38251	25092	0.66	2.71	36172	23729	0.66	3.05	33539	22001	0.66	3.30	31044	20365	0.66	3.56
68	68	39914	21394	0.54	2.86	38251	20502	0.54	3.12	36033	19314	0.54	3.42	33400	17902	0.54	3.71
72	61	34995	29955	0.86	2.46	32916	28176	0.86	2.79	30283	25922	0.86	3.05	27788	23787	0.86	3.31
72	64	38251	28152	0.74	2.71	36172	26622	0.74	3.05	33539	24684	0.74	3.30	31044	22848	0.74	3.56
72	68	39914	24587	0.62	2.86	38251	23562	0.62	3.12	36033	22196	0.62	3.42	33400	20574	0.62	3.71
75	61	34995	32755	0.94	2.46	32916	30809	0.94	2.79	30283	28345	0.94	3.05	27788	26010	0.94	3.31
75	64	38251	31213	0.82	2.71	36172	29516	0.82	3.05	33539	27367	0.82	3.30	31044	25332	0.82	3.56
75	68	39914	27780	0.70	2.86	38251	26622	0.70	3.12	36033	25079	0.70	3.42	33400	23246	0.70	3.71
75	72	42131	24268	0.58	2.98	40745	23469	0.58	3.30	38251	22032	0.58	3.59	35756	20595	0.58	3.86
79	61	34995	34995	1.00	2.46	32916	32916	1.00	2.79	30283	30283	1.00	3.05	27788	27788	1.00	3.31
79	64	38251	34273	0.90	2.71	36172	32410	0.90	3.05	33539	30051	0.90	3.30	31044	27815	0.90	3.56
79	68	39914	30973	0.78	2.86	38251	29682	0.78	3.12	36033	27962	0.78	3.42	33400	25918	0.78	3.71
79	72	42131	27638	0.66	2.98	40745	26729	0.66	3.30	38251	25092	0.66	3.59	35756	23456	0.66	3.86
81	61	34995	34995	1.00	2.46	32916	32916	1.00	2.79	30283	30283	1.00	3.05	27788	27788	1.00	3.31
81	64	38251	35803	0.94	2.71	36172	33857	0.94	3.05	33539	31392	0.94	3.30	31044	29057	0.94	3.56
81	68	39914	32570	0.82	2.86	38251	31213	0.82	3.12	36033	29403	0.82	3.42	33400	27254	0.82	3.71
81	72	42131	29323	0.70	2.98	40745	28359	0.70	3.30	38251	26622	0.70	3.59	35756	24886	0.70	3.86
82	61	34995	34995	1.00	2.46	32916	32916	1.00	2.79	30283	30283	1.00	3.05	27788	27788	1.00	3.31
82	64	38251	37333	0.98	2.71	36172	35304	0.98	3.05	33539	32734	0.98	3.30	31044	30299	0.98	3.56
82	68	39914	34166	0.86	2.86	38251	32743	0.86	3.12	36033	30844	0.86	3.42	33400	28590	0.86	3.71
82	72	42131	31009	0.74	2.98	40745	29988	0.74	3.30	38251	28152	0.74	3.59	35756	26316	0.74	3.86
86	61	34995	34995	1.00	2.46	32916	32916	1.00	2.79	30283	30283	1.00	3.05	27788	27788	1.00	3.31
86	64	38251	38251	1.00	2.71	36172	36172	1.00	3.05	33539	33539	1.00	3.30	31044	31044	1.00	3.56
86	68	39914	37359	0.94	2.86	38251	35803	0.94	3.12	36033	33727	0.94	3.42	33400	31262	0.94	3.71
86	72	42131	34379	0.82	2.98	40745	33248	0.82	3.30	38251	31213	0.82	3.59	35756	29177	0.82	3.86
90	61	34995	34995	1.00	2.46	32916	32916	1.00	2.79	30283	30283	1.00	3.05	27788	27788	1.00	3.31
90	64	38251	38251	1.00	2.71	36172	36172	1.00	3.05	33539	33539	1.00	3.30	31044	31044	1.00	3.56
90	68	39914	39914	1.00	2.86	38251	38251	1.00	3.12	36033	36033	1.00	3.42	33400	33400	1.00	3.71
90	72	42131	37749	0.90	2.98	40745	36508	0.90	3.30	38251	34273	0.90	3.59	35756	32037	0.90	3.86

MULTI-POSITION AIR HANDLER

PERFORMANCE DATA

Note: C A :Capacity (Btu/h) SHC :Sensible heat capacity (Btu/h)  
 P.C. :Power consumption (kW) SHF :Sensible heat factor

**COOLING operation at Rated frequency**  
**SVZ-KP36NA / SUZ-KA36NA2**

CAPACITY : 33400(Btu/h) INPUT :3.711(kW) SHF :0.84

		OUTDOOR DB(°F)							
INDOOR DB(°F)	INDOOR WB(°F)	104				115			
		CA	SHC	SHF	P.C.	CA	SHC	SHF	P.C.
68	61	25293	18616	0.74	3.48	22799	16780	0.74	3.64
68	64	28549	17586	0.62	3.73	26055	16050	0.62	3.90
68	61	25293	19628	0.78	3.48	22799	17692	0.78	3.64
68	64	28549	18728	0.66	3.73	26055	17092	0.66	3.90
68	68	30767	16491	0.54	3.90	28549	15302	0.54	4.07
72	61	25293	21651	0.86	3.48	22799	19516	0.86	3.64
72	64	28549	21012	0.74	3.73	26055	19176	0.74	3.90
72	68	30767	18952	0.62	3.90	28549	17586	0.62	4.07
75	61	25293	23675	0.94	3.48	22799	21340	0.94	3.64
75	64	28549	23296	0.82	3.73	26055	21261	0.82	3.90
75	68	30767	21414	0.70	3.90	28549	19870	0.70	4.07
75	72	33261	19159	0.58	4.05	30490	17562	0.58	4.17
79	61	25293	25293	1.00	3.48	22799	22799	1.00	3.64
79	64	28549	25580	0.90	3.73	26055	23345	0.90	3.90
79	68	30767	23875	0.78	3.90	28549	22154	0.78	4.07
79	72	33261	21819	0.66	4.05	30490	20001	0.66	4.17
81	61	25293	25293	1.00	3.48	22799	22799	1.00	3.64
81	64	28549	26722	0.94	3.73	26055	24387	0.94	3.90
81	68	30767	25106	0.82	3.90	28549	23296	0.82	4.07
81	72	33261	23150	0.70	4.05	30490	21221	0.70	4.17
82	61	25293	25293	1.00	3.48	22799	22799	1.00	3.64
82	64	28549	27864	0.98	3.73	26055	25429	0.98	3.90
82	68	30767	26336	0.86	3.90	28549	24438	0.86	4.07
82	72	33261	24480	0.74	4.05	30490	22440	0.74	4.17
86	61	25293	25293	1.00	3.48	22799	22799	1.00	3.64
86	64	28549	28549	1.00	3.73	26055	26055	1.00	3.90
86	68	30767	28798	0.94	3.90	28549	26722	0.94	4.07
86	72	33261	27141	0.82	4.05	30490	24880	0.82	4.17
90	61	25293	25293	1.00	3.48	22799	22799	1.00	3.64
90	64	28549	28549	1.00	3.73	26055	26055	1.00	3.90
90	68	30767	30767	1.00	3.90	28549	28549	1.00	4.07
90	72	33261	29802	0.90	4.05	30490	27319	0.90	4.17

MULTI-POSITION AIR HANDLER PERFORMANCE DATA

Note: C A :Capacity (Btu/h) SHC :Sensible heat capacity (Btu/h)  
 P.C. :Power consumption (kW) SHF :Sensible heat factor

**HEATING operation at Rated frequency****SVZ-KP12NA / SUZ-KA12NA2**

CAPACITY : 15000(Btu/h) INPUT : 1.21(kW)

INDOOR	OUTDOOR WB(°F)											
	14		23		32		41		50		59	
DB(°F)	CA	P.C.	CA	P.C.	CA	P.C.	CA	P.C.	CA	P.C.	CA	P.C.
59	9671	0.80	11778	0.95	12838	1.02	14969	1.14	17112	1.24	19266	1.30
68	9146	0.87	11274	1.02	12345	1.08	14483	1.19	16599	1.27	18667	1.33
77	8253	0.93	10474	1.07	11578	1.14	13758	1.24	15876	1.32	17905	1.38

**SVZ-KP18NA / SUZ-KA18NA2**

CAPACITY : 21600(Btu/h) INPUT : 1.6(kW)

INDOOR	OUTDOOR WB(°F)											
	14		23		32		41		50		59	
DB(°F)	CA	P.C.	CA	P.C.	CA	P.C.	CA	P.C.	CA	P.C.	CA	P.C.
59	13927	1.06	16960	1.26	18486	1.35	21555	1.51	24642	1.63	27743	1.71
68	13170	1.15	16235	1.34	17776	1.43	20856	1.57	23902	1.68	26881	1.76
77	11885	1.22	15083	1.42	16673	1.50	19811	1.65	22861	1.75	25783	1.82

**SVZ-KP24NA / SUZ-KA24NA2**

CAPACITY : 25000(Btu/h) INPUT : 1.91(kW)

INDOOR	OUTDOOR WB(°F)											
	14		23		32		41		50		59	
DB(°F)	CA	P.C.	CA	P.C.	CA	P.C.	CA	P.C.	CA	P.C.	CA	P.C.
59	16119	1.26	19630	1.50	21396	1.61	24948	1.80	28521	1.95	32110	2.05
68	15243	1.37	18790	1.60	20575	1.70	24139	1.88	27665	2.01	31112	2.10
77	13756	1.46	17457	1.70	19297	1.80	22930	1.96	26460	2.09	29841	2.17

**SVZ-KP30NA / SUZ-KA30NA2**

CAPACITY : 30000(Btu/h) INPUT : 2.06(kW)

INDOOR	OUTDOOR WB(°F)											
	14		23		32		41		50		59	
DB(°F)	CA	P.C.	CA	P.C.	CA	P.C.	CA	P.C.	CA	P.C.	CA	P.C.
59	19342	1.36	23556	1.62	25676	1.74	29937	1.94	34225	2.10	38532	2.21
68	18292	1.48	22549	1.73	24690	1.84	28967	2.02	33197	2.17	37334	2.27
77	16507	1.58	20948	1.83	23157	1.94	27516	2.12	31751	2.26	35810	2.35

**SVZ-KP36NA / SUZ-KA36NA2**

CAPACITY : 33400(Btu/h) INPUT : 3.03(kW)

INDOOR	OUTDOOR WB(°F)											
	14		23		32		41		50		59	
DB(°F)	CA	P.C.	CA	P.C.	CA	P.C.	CA	P.C.	CA	P.C.	CA	P.C.
59	21535	2.01	26226	2.38	28585	2.56	33330	2.86	38103	3.10	42899	3.25
68	20365	2.17	25104	2.54	27488	2.70	32250	2.98	36960	3.19	41566	3.33
77	18377	2.32	23322	2.69	25781	2.85	30634	3.12	35350	3.32	39868	3.45

Note: CA :Capacity (Btu/h)  
P.C. :Power consumption (kW)

SHC :Sensible heat capacity (Btu/h)  
SHF :Sensible heat factor

**A.7.5.2 H2i SUZ series**  
**COOLING operation at Rated frequency**  
**SVZ-KP12NA / SUZ-KA12NAHZ**  
 CAPACITY : 12000(Btu/h) INPUT :0.86(kW) SHF :0.92

		OUTDOOR DB(°F)															
INDOOR DB(°F)	INDOOR WB(°F)	68				77				86				95			
		CA	SHC	SHF	P.C.	CA	SHC	SHF	P.C.	CA	SHC	SHF	P.C.	CA	SHC	SHF	P.C.
68	61	12573	10260	0.82	0.57	11826	9650	0.82	0.65	10880	8878	0.82	0.71	9984	8147	0.82	0.77
68	64	13743	9565	0.70	0.63	12996	9045	0.70	0.71	12050	8387	0.70	0.77	11154	7763	0.70	0.82
68	61	12573	10762	0.86	0.57	11826	10123	0.86	0.65	10880	9313	0.86	0.71	9984	8546	0.86	0.77
68	64	13743	10115	0.74	0.63	12996	9565	0.74	0.71	12050	8869	0.74	0.77	11154	8209	0.74	0.82
68	68	14340	8834	0.62	0.66	13743	8466	0.62	0.72	12946	7975	0.62	0.79	12000	7392	0.62	0.86
72	61	12573	11768	0.94	0.57	11826	11069	0.94	0.65	10880	10184	0.94	0.71	9984	9345	0.94	0.77
72	64	13743	11214	0.82	0.63	12996	10605	0.82	0.71	12050	9833	0.82	0.77	11154	9101	0.82	0.82
72	68	14340	9981	0.70	0.66	13743	9565	0.70	0.72	12946	9010	0.70	0.79	12000	8352	0.70	0.86
75	61	12573	12573	1.00	0.57	11826	11826	1.00	0.65	10880	10880	1.00	0.71	9984	9984	1.00	0.77
75	64	13743	12313	0.90	0.63	12996	11644	0.90	0.71	12050	10797	0.90	0.77	11154	9994	0.90	0.82
75	68	14340	11128	0.78	0.66	13743	10664	0.78	0.72	12946	10046	0.78	0.79	12000	9312	0.78	0.86
75	72	15137	9930	0.66	0.69	14639	9603	0.66	0.77	13743	9015	0.66	0.83	12846	8427	0.66	0.90
79	61	12573	12573	1.00	0.57	11826	11826	1.00	0.65	10880	10880	1.00	0.71	9984	9984	1.00	0.77
79	64	13743	13413	0.98	0.63	12996	12684	0.98	0.71	12050	11761	0.98	0.77	11154	10886	0.98	0.82
79	68	14340	12275	0.86	0.66	13743	11764	0.86	0.72	12946	11082	0.86	0.79	12000	10272	0.86	0.86
79	72	15137	11141	0.74	0.69	14639	10774	0.74	0.77	13743	10115	0.74	0.83	12846	9455	0.74	0.90
81	61	12573	12573	1.00	0.57	11826	11826	1.00	0.65	10880	10880	1.00	0.71	9984	9984	1.00	0.77
81	64	13743	13743	1.00	0.63	12996	12996	1.00	0.71	12050	12050	1.00	0.77	11154	11154	1.00	0.82
81	68	14340	12849	0.90	0.66	13743	12313	0.90	0.72	12946	11600	0.90	0.79	12000	10752	0.90	0.86
81	72	15137	11746	0.78	0.69	14639	11360	0.78	0.77	13743	10664	0.78	0.83	12846	9969	0.78	0.90
82	61	12573	12573	1.00	0.57	11826	11826	1.00	0.65	10880	10880	1.00	0.71	9984	9984	1.00	0.77
82	64	13743	13743	1.00	0.63	12996	12996	1.00	0.71	12050	12050	1.00	0.77	11154	11154	1.00	0.82
82	68	14340	13422	0.94	0.66	13743	12863	0.94	0.72	12946	12118	0.94	0.79	12000	11232	0.94	0.86
82	72	15137	12352	0.82	0.69	14639	11945	0.82	0.77	13743	11214	0.82	0.83	12846	10483	0.82	0.90
86	61	12573	12573	1.00	0.57	11826	11826	1.00	0.65	10880	10880	1.00	0.71	9984	9984	1.00	0.77
86	64	13743	13743	1.00	0.63	12996	12996	1.00	0.71	12050	12050	1.00	0.77	11154	11154	1.00	0.82
86	68	14340	14340	1.00	0.66	13743	13743	1.00	0.72	12946	12946	1.00	0.79	12000	12000	1.00	0.86
86	72	15137	13563	0.90	0.69	14639	13117	0.90	0.77	13743	12313	0.90	0.83	12846	11510	0.90	0.90
90	61	12573	12573	1.00	0.57	11826	11826	1.00	0.65	10880	10880	1.00	0.71	9984	9984	1.00	0.77
90	64	13743	13743	1.00	0.63	12996	12996	1.00	0.71	12050	12050	1.00	0.77	11154	11154	1.00	0.82
90	68	14340	14340	1.00	0.66	13743	13743	1.00	0.72	12946	12946	1.00	0.79	12000	12000	1.00	0.86
90	72	15137	14774	0.98	0.69	14639	14288	0.98	0.77	13743	13413	0.98	0.83	12846	12538	0.98	0.90

MULTI-POSITION AIR HANDLER PERFORMANCE DATA

Note: C A :Capacity (Btu/h) SHC :Sensible heat capacity (Btu/h)  
 P.C. :Power consumption (kW) SHF :Sensible heat factor

**COOLING operation at Rated frequency**

**SVZ-KP12NA / SUZ-KA12NAHZ**

CAPACITY : 12000(Btu/h) INPUT :0.86(kW) SHF :0.92

		OUTDOOR DB(°F)							
INDOOR DB(°F)	INDOOR WB(°F)	104				115			
		CA	SHC	SHF	P.C.	CA	SHC	SHF	P.C.
68	61	9087	7415	0.82	0.81	8191	6684	0.82	0.84
68	64	10257	7139	0.70	0.86	9361	6515	0.70	0.90
68	61	9087	7779	0.86	0.81	8191	7012	0.86	0.84
68	64	10257	7549	0.74	0.86	9361	6890	0.74	0.90
68	68	11054	6809	0.62	0.90	10257	6318	0.62	0.94
72	61	9087	8506	0.94	0.81	8191	7667	0.94	0.84
72	64	10257	8370	0.82	0.86	9361	7639	0.82	0.90
72	68	11054	7694	0.70	0.90	10257	7139	0.70	0.94
75	61	9087	9087	1.00	0.81	8191	8191	1.00	0.84
75	64	10257	9191	0.90	0.86	9361	8387	0.90	0.90
75	68	11054	8578	0.78	0.90	10257	7960	0.78	0.94
75	72	11950	7839	0.66	0.94	10954	7186	0.66	0.97
79	61	9087	9087	1.00	0.81	8191	8191	1.00	0.84
79	64	10257	10011	0.98	0.86	9361	9136	0.98	0.90
79	68	11054	9462	0.86	0.90	10257	8780	0.86	0.94
79	72	11950	8795	0.74	0.94	10954	8062	0.74	0.97
81	61	9087	9087	1.00	0.81	8191	8191	1.00	0.84
81	64	10257	10257	1.00	0.86	9361	9361	1.00	0.90
81	68	11054	9904	0.90	0.90	10257	9191	0.90	0.94
81	72	11950	9273	0.78	0.94	10954	8501	0.78	0.97
82	61	9087	9087	1.00	0.81	8191	8191	1.00	0.84
82	64	10257	10257	1.00	0.86	9361	9361	1.00	0.90
82	68	11054	10346	0.94	0.90	10257	9601	0.94	0.94
82	72	11950	9751	0.82	0.94	10954	8939	0.82	0.97
86	61	9087	9087	1.00	0.81	8191	8191	1.00	0.84
86	64	10257	10257	1.00	0.86	9361	9361	1.00	0.90
86	68	11054	11054	1.00	0.90	10257	10257	1.00	0.94
86	72	11950	10707	0.90	0.94	10954	9815	0.90	0.97
90	61	9087	9087	1.00	0.81	8191	8191	1.00	0.84
90	64	10257	10257	1.00	0.86	9361	9361	1.00	0.90
90	68	11054	11054	1.00	0.90	10257	10257	1.00	0.94
90	72	11950	11663	0.98	0.94	10954	10691	0.98	0.97

MULTI-POSITION AIR HANDLER  
PERFORMANCE DATA

Note: C A :Capacity (Btu/h) SHC :Sensible heat capacity (Btu/h)  
P.C. :Power consumption (kW) SHF :Sensible heat factor

**COOLING operation at Rated frequency**  
**SVZ-KP18NA / SUZ-KA18NAHZ**  
 CAPACITY : 18000(Btu/h) INPUT :1.44(kW) SHF :0.93

INDOOR		OUTDOOR DB(°F)															
DB(°F)	WB(°F)	68				77				86				95			
		CA	SHC	SHF	P.C.	CA	SHC	SHF	P.C.	CA	SHC	SHF	P.C.	CA	SHC	SHF	P.C.
68	61	18859	15578	0.83	0.95	17739	14652	0.83	1.08	16320	13480	0.83	1.18	14976	12370	0.83	1.28
68	64	20614	14554	0.71	1.05	19494	13763	0.71	1.18	18075	12761	0.71	1.28	16730	11812	0.71	1.38
68	61	18859	16332	0.87	0.95	17739	15362	0.87	1.08	16320	14133	0.87	1.18	14976	12969	0.87	1.28
68	64	20614	15378	0.75	1.05	19494	14542	0.75	1.18	18075	13484	0.75	1.28	16730	12481	0.75	1.38
68	68	21510	13465	0.63	1.11	20614	12904	0.63	1.21	19419	12156	0.63	1.33	18000	11268	0.63	1.44
72	61	18859	17841	0.95	0.95	17739	16781	0.95	1.08	16320	15439	0.95	1.18	14976	14167	0.95	1.28
72	64	20614	17027	0.83	1.05	19494	16102	0.83	1.18	18075	14930	0.83	1.28	16730	13819	0.83	1.38
72	68	21510	15186	0.71	1.11	20614	14554	0.71	1.21	19419	13710	0.71	1.33	18000	12708	0.71	1.44
75	61	18859	18859	1.00	0.95	17739	17739	1.00	1.08	16320	16320	1.00	1.18	14976	14976	1.00	1.28
75	64	20614	18676	0.91	1.05	19494	17661	0.91	1.18	18075	16376	0.91	1.28	16730	15158	0.91	1.38
75	68	21510	16907	0.79	1.11	20614	16203	0.79	1.21	19419	15263	0.79	1.33	18000	14148	0.79	1.44
75	72	22705	15122	0.67	1.16	21959	14624	0.67	1.28	20614	13729	0.67	1.39	19270	12834	0.67	1.50
79	61	18859	18859	1.00	0.95	17739	17739	1.00	1.08	16320	16320	1.00	1.18	14976	14976	1.00	1.28
79	64	20614	20326	0.99	1.05	19494	19221	0.99	1.18	18075	17822	0.99	1.28	16730	16496	0.99	1.38
79	68	21510	18628	0.87	1.11	20614	17852	0.87	1.21	19419	16817	0.87	1.33	18000	15588	0.87	1.44
79	72	22705	16938	0.75	1.16	21959	16381	0.75	1.28	20614	15378	0.75	1.39	19270	14375	0.75	1.50
81	61	18859	18859	1.00	0.95	17739	17739	1.00	1.08	16320	16320	1.00	1.18	14976	14976	1.00	1.28
81	64	20614	20614	1.00	1.05	19494	19494	1.00	1.18	18075	18075	1.00	1.28	16730	16730	1.00	1.38
81	68	21510	19488	0.91	1.11	20614	18676	0.91	1.21	19419	17594	0.91	1.33	18000	16308	0.91	1.44
81	72	22705	17846	0.79	1.16	21959	17259	0.79	1.28	20614	16203	0.79	1.39	19270	15146	0.79	1.50
82	61	18859	18859	1.00	0.95	17739	17739	1.00	1.08	16320	16320	1.00	1.18	14976	14976	1.00	1.28
82	64	20614	20614	1.00	1.05	19494	19494	1.00	1.18	18075	18075	1.00	1.28	16730	16730	1.00	1.38
82	68	21510	20349	0.95	1.11	20614	19501	0.95	1.21	19419	18370	0.95	1.33	18000	17028	0.95	1.44
82	72	22705	18755	0.83	1.16	21959	18138	0.83	1.28	20614	17027	0.83	1.39	19270	15917	0.83	1.50
86	61	18859	18859	1.00	0.95	17739	17739	1.00	1.08	16320	16320	1.00	1.18	14976	14976	1.00	1.28
86	64	20614	20614	1.00	1.05	19494	19494	1.00	1.18	18075	18075	1.00	1.28	16730	16730	1.00	1.38
86	68	21510	21510	1.00	1.11	20614	20614	1.00	1.21	19419	19419	1.00	1.33	18000	18000	1.00	1.44
86	72	22705	20571	0.91	1.16	21959	19894	0.91	1.28	20614	18676	0.91	1.39	19270	17458	0.91	1.50
90	61	18859	18859	1.00	0.95	17739	17739	1.00	1.08	16320	16320	1.00	1.18	14976	14976	1.00	1.28
90	64	20614	20614	1.00	1.05	19494	19494	1.00	1.18	18075	18075	1.00	1.28	16730	16730	1.00	1.38
90	68	21510	21510	1.00	1.11	20614	20614	1.00	1.21	19419	19419	1.00	1.33	18000	18000	1.00	1.44
90	72	22705	22388	0.99	1.16	21959	21651	0.99	1.28	20614	20326	0.99	1.39	19270	19000	0.99	1.50

MULTI-POSITION AIR HANDLER PERFORMANCE DATA

Note: C A :Capacity (Btu/h) SHC :Sensible heat capacity (Btu/h)  
 P.C. :Power consumption (kW) SHF :Sensible heat factor

**COOLING operation at Rated frequency****SVZ-KP18NA / SUZ-KA18NAHZ**

CAPACITY : 18000(Btu/h) INPUT :1.44(kW) SHF :0.93

		OUTDOOR DB(°F)							
INDOOR DB(°F)	INDOOR WB(°F)	104				115			
		CA	SHC	SHF	P.C.	CA	SHC	SHF	P.C.
68	61	13631	11259	0.83	1.35	12287	10149	0.83	1.41
68	64	15386	10862	0.71	1.45	14041	9913	0.71	1.51
68	61	13631	11805	0.87	1.35	12287	10640	0.87	1.41
68	64	15386	11478	0.75	1.45	14041	10475	0.75	1.51
68	68	16581	10380	0.63	1.51	15386	9632	0.63	1.58
72	61	13631	12895	0.95	1.35	12287	11623	0.95	1.41
72	64	15386	12709	0.83	1.45	14041	11598	0.83	1.51
72	68	16581	11706	0.71	1.51	15386	10862	0.71	1.58
75	61	13631	13631	1.00	1.35	12287	12287	1.00	1.41
75	64	15386	13940	0.91	1.45	14041	12722	0.91	1.51
75	68	16581	13033	0.79	1.51	15386	12093	0.79	1.58
75	72	17925	11938	0.67	1.57	16432	10943	0.67	1.62
79	61	13631	13631	1.00	1.35	12287	12287	1.00	1.41
79	64	15386	15170	0.99	1.45	14041	13845	0.99	1.51
79	68	16581	14359	0.87	1.51	15386	13324	0.87	1.58
79	72	17925	13372	0.75	1.57	16432	12258	0.75	1.62
81	61	13631	13631	1.00	1.35	12287	12287	1.00	1.41
81	64	15386	15386	1.00	1.45	14041	14041	1.00	1.51
81	68	16581	15022	0.91	1.51	15386	13940	0.91	1.58
81	72	17925	14089	0.79	1.57	16432	12915	0.79	1.62
82	61	13631	13631	1.00	1.35	12287	12287	1.00	1.41
82	64	15386	15386	1.00	1.45	14041	14041	1.00	1.51
82	68	16581	15686	0.95	1.51	15386	14555	0.95	1.58
82	72	17925	14806	0.83	1.57	16432	13572	0.83	1.62
86	61	13631	13631	1.00	1.35	12287	12287	1.00	1.41
86	64	15386	15386	1.00	1.45	14041	14041	1.00	1.51
86	68	16581	16581	1.00	1.51	15386	15386	1.00	1.58
86	72	17925	16240	0.91	1.57	16432	14887	0.91	1.62
90	61	13631	13631	1.00	1.35	12287	12287	1.00	1.41
90	64	15386	15386	1.00	1.45	14041	14041	1.00	1.51
90	68	16581	16581	1.00	1.51	15386	15386	1.00	1.58
90	72	17925	17674	0.99	1.57	16432	16201	0.99	1.62

Note: CA :Capacity (Btu/h)  
P.C. :Power consumption (kW)

SHC :Sensible heat capacity (Btu/h)  
SHF :Sensible heat factor

**COOLING operation at Rated frequency**  
**SVZ-KP24NA / SUZ-KA24NAHZ**

CAPACITY : 24000(Btu/h) INPUT :2.42(kW) SHF :0.78

		OUTDOOR DB(°F)															
INDOOR DB(°F)	INDOOR WB(°F)	68				77				86				95			
		CA	SHC	SHF	P.C.	CA	SHC	SHF	P.C.	CA	SHC	SHF	P.C.	CA	SHC	SHF	P.C.
68	61	23160	15656	0.68	2.01	22824	15429	0.68	2.10	22368	15121	0.68	2.21	21792	14731	0.68	2.36
68	64	24648	13704	0.56	2.06	24312	13517	0.56	2.15	23832	13251	0.56	2.26	23208	12904	0.56	2.41
68	61	23160	16583	0.72	2.01	22824	16342	0.72	2.10	22368	16015	0.72	2.21	21792	15603	0.72	2.36
68	64	24648	14690	0.60	2.06	24312	14490	0.60	2.15	23832	14204	0.60	2.26	23208	13832	0.60	2.41
68	68	26184	12464	0.48	2.11	25824	12292	0.48	2.20	25344	12064	0.48	2.31	24672	11744	0.48	2.45
72	61	23160	18435	0.80	2.01	22824	18168	0.80	2.10	22368	17805	0.80	2.21	21792	17346	0.80	2.36
72	64	24648	16662	0.68	2.06	24312	16435	0.68	2.15	23832	16110	0.68	2.26	23208	15689	0.68	2.41
72	68	26184	14558	0.56	2.11	25824	14358	0.56	2.20	25344	14091	0.56	2.31	24672	13718	0.56	2.45
75	61	23160	20288	0.88	2.01	22824	19994	0.88	2.10	22368	19594	0.88	2.21	21792	19090	0.88	2.36
75	64	24648	18634	0.76	2.06	24312	18380	0.76	2.15	23832	18017	0.76	2.26	23208	17545	0.76	2.41
75	68	26184	16653	0.64	2.11	25824	16424	0.64	2.20	25344	16119	0.64	2.31	24672	15691	0.64	2.45
75	72	27720	14304	0.52	2.16	27384	14130	0.52	2.24	26856	13858	0.52	2.35	26160	13499	0.52	2.50
79	61	23160	22141	0.96	2.01	22824	21820	0.96	2.10	22368	21384	0.96	2.21	21792	20833	0.96	2.36
79	64	24648	20606	0.84	2.06	24312	20325	0.84	2.15	23832	19924	0.84	2.26	23208	19402	0.84	2.41
79	68	26184	18748	0.72	2.11	25824	18490	0.72	2.20	25344	18146	0.72	2.31	24672	17665	0.72	2.45
79	72	27720	16521	0.60	2.16	27384	16321	0.60	2.24	26856	16006	0.60	2.35	26160	15591	0.60	2.50
81	61	23160	23067	1.00	2.01	22824	22733	1.00	2.10	22368	22279	1.00	2.21	21792	21705	1.00	2.36
81	64	24648	21592	0.88	2.06	24312	21297	0.88	2.15	23832	20877	0.88	2.26	23208	20330	0.88	2.41
81	68	26184	19795	0.76	2.11	25824	19523	0.76	2.20	25344	19160	0.76	2.31	24672	18652	0.76	2.45
81	72	27720	17630	0.64	2.16	27384	17416	0.64	2.24	26856	17080	0.64	2.35	26160	16638	0.64	2.50
82	61	23160	23160	1.00	2.01	22824	22824	1.00	2.10	22368	22368	1.00	2.21	21792	21792	1.00	2.36
82	64	24648	22578	0.92	2.06	24312	22270	0.92	2.15	23832	21830	0.92	2.26	23208	21259	0.92	2.41
82	68	26184	20842	0.80	2.11	25824	20556	0.80	2.20	25344	20174	0.80	2.31	24672	19639	0.80	2.45
82	72	27720	18739	0.68	2.16	27384	18512	0.68	2.24	26856	18155	0.68	2.35	26160	17684	0.68	2.50
86	61	23160	23160	1.00	2.01	22824	22824	1.00	2.10	22368	22368	1.00	2.21	21792	21792	1.00	2.36
86	64	24648	24549	1.00	2.06	24312	24215	1.00	2.15	23832	23737	1.00	2.26	23208	23115	1.00	2.41
86	68	26184	22937	0.88	2.11	25824	22622	0.88	2.20	25344	22201	0.88	2.31	24672	21613	0.88	2.45
86	72	27720	20956	0.76	2.16	27384	20702	0.76	2.24	26856	20303	0.76	2.35	26160	19777	0.76	2.50
90	61	23160	23160	1.00	2.01	22824	22824	1.00	2.10	22368	22368	1.00	2.21	21792	21792	1.00	2.36
90	64	24648	24648	1.00	2.06	24312	24312	1.00	2.15	23832	23832	1.00	2.26	23208	23208	1.00	2.41
90	68	26184	25032	0.96	2.11	25824	24688	0.96	2.20	25344	24229	0.96	2.31	24672	23586	0.96	2.45
90	72	27720	23174	0.84	2.16	27384	22893	0.84	2.24	26856	22452	0.84	2.35	26160	21870	0.84	2.50

MULTI-POSITION AIR HANDLER PERFORMANCE DATA

Note: C A :Capacity (Btu/h) SHC :Sensible heat capacity (Btu/h)  
 P.C. :Power consumption (kW) SHF :Sensible heat factor



**COOLING operation at Rated frequency****SVZ-KP24NA / SUZ-KA24NAHZ**

CAPACITY : 24000(Btu/h) INPUT :2.42(kW) SHF :0.78

		OUTDOOR DB(°F)							
INDOOR DB(°F)	INDOOR WB(°F)	104				115			
		CA	SHC	SHF	P.C.	CA	SHC	SHF	P.C.
68	61	21048	14228	0.68	2.53	19944	13482	0.68	2.78
68	64	22416	12463	0.56	2.58	21240	11809	0.56	2.83
68	61	21048	15070	0.72	2.53	19944	14280	0.72	2.78
68	64	22416	13360	0.60	2.58	21240	12659	0.60	2.83
68	68	23832	11344	0.48	2.63	22536	10727	0.48	2.88
72	61	21048	16754	0.80	2.53	19944	15875	0.80	2.78
72	64	22416	15153	0.68	2.58	21240	14358	0.68	2.83
72	68	23832	13251	0.56	2.63	22536	12530	0.56	2.88
75	61	21048	18438	0.88	2.53	19944	17471	0.88	2.78
75	64	22416	16946	0.76	2.58	21240	16057	0.76	2.83
75	68	23832	15157	0.64	2.63	22536	14333	0.64	2.88
75	72	25248	13028	0.52	2.68	23832	12297	0.52	2.94
79	61	21048	20122	0.96	2.53	19944	19066	0.96	2.78
79	64	22416	18740	0.84	2.58	21240	17757	0.84	2.83
79	68	23832	17064	0.72	2.63	22536	16136	0.72	2.88
79	72	25248	15048	0.60	2.68	23832	14204	0.60	2.94
81	61	21048	20964	1.00	2.53	19944	19864	1.00	2.78
81	64	22416	19636	0.88	2.58	21240	18606	0.88	2.83
81	68	23832	18017	0.76	2.63	22536	17037	0.76	2.88
81	72	25248	16058	0.64	2.68	23832	15157	0.64	2.94
82	61	21048	21048	1.00	2.53	19944	19944	1.00	2.78
82	64	22416	20533	0.92	2.58	21240	19456	0.92	2.83
82	68	23832	18970	0.80	2.63	22536	17939	0.80	2.88
82	72	25248	17068	0.68	2.68	23832	16110	0.68	2.94
86	61	21048	21048	1.00	2.53	19944	19944	1.00	2.78
86	64	22416	22326	1.00	2.58	21240	21155	1.00	2.83
86	68	23832	20877	0.88	2.63	22536	19742	0.88	2.88
86	72	25248	19087	0.76	2.68	23832	18017	0.76	2.94
90	61	21048	21048	1.00	2.53	19944	19944	1.00	2.78
90	64	22416	22416	1.00	2.58	21240	21240	1.00	2.83
90	68	23832	22783	0.96	2.63	22536	21544	0.96	2.88
90	72	25248	21107	0.84	2.68	23832	19924	0.84	2.94

Note: CA :Capacity (Btu/h)  
P.C. :Power consumption (kW)

SHC :Sensible heat capacity (Btu/h)  
SHF :Sensible heat factor

**COOLING operation at Rated frequency**  
**SVZ-KP30NA / SUZ-KA30NAHZ**  
 CAPACITY : 27000(Btu/h) INPUT :2.1(kW) SHF :0.83

INDOOR		OUTDOOR DB(°F)															
DB(°F)	WB(°F)	68				77				86				95			
		CA	SHC	SHF	P.C.	CA	SHC	SHF	P.C.	CA	SHC	SHF	P.C.	CA	SHC	SHF	P.C.
68	61	26055	18916	0.73	1.74	25677	18642	0.73	1.82	25164	18269	0.73	1.92	24516	17799	0.73	2.05
68	64	27729	16804	0.61	1.79	27351	16575	0.61	1.86	26811	16247	0.61	1.96	26109	15822	0.61	2.09
68	61	26055	19958	0.77	1.74	25677	19669	0.77	1.82	25164	19276	0.77	1.92	24516	18779	0.77	2.05
68	64	27729	17913	0.65	1.79	27351	17669	0.65	1.86	26811	17320	0.65	1.96	26109	16866	0.65	2.09
68	68	29457	15494	0.53	1.83	29052	15281	0.53	1.91	28512	14997	0.53	2.00	27756	14600	0.53	2.13
72	61	26055	22043	0.85	1.74	25677	21723	0.85	1.82	25164	21289	0.85	1.92	24516	20741	0.85	2.05
72	64	27729	20131	0.73	1.79	27351	19857	0.73	1.86	26811	19465	0.73	1.96	26109	18955	0.73	2.09
72	68	29457	17851	0.61	1.83	29052	17606	0.61	1.91	28512	17278	0.61	2.00	27756	16820	0.61	2.13
75	61	26055	24127	0.93	1.74	25677	23777	0.93	1.82	25164	23302	0.93	1.92	24516	22702	0.93	2.05
75	64	27729	22350	0.81	1.79	27351	22045	0.81	1.86	26811	21610	0.81	1.96	26109	21044	0.81	2.09
75	68	29457	20208	0.69	1.83	29052	19930	0.69	1.91	28512	19559	0.69	2.00	27756	19041	0.69	2.13
75	72	31185	17651	0.57	1.87	30807	17437	0.57	1.95	30213	17101	0.57	2.04	29430	16657	0.57	2.17
79	61	26055	26055	1.00	1.74	25677	25677	1.00	1.82	25164	25164	1.00	1.92	24516	24516	1.00	2.05
79	64	27729	24568	0.89	1.79	27351	24233	0.89	1.86	26811	23755	0.89	1.96	26109	23133	0.89	2.09
79	68	29457	22564	0.77	1.83	29052	22254	0.77	1.91	28512	21840	0.77	2.00	27756	21261	0.77	2.13
79	72	31185	20146	0.65	1.87	30807	19901	0.65	1.95	30213	19518	0.65	2.04	29430	19012	0.65	2.17
81	61	26055	26055	1.00	1.74	25677	25677	1.00	1.82	25164	25164	1.00	1.92	24516	24516	1.00	2.05
81	64	27729	25677	0.93	1.79	27351	25327	0.93	1.86	26811	24827	0.93	1.96	26109	24177	0.93	2.09
81	68	29457	23742	0.81	1.83	29052	23416	0.81	1.91	28512	22981	0.81	2.00	27756	22371	0.81	2.13
81	72	31185	21393	0.69	1.87	30807	21134	0.69	1.95	30213	20726	0.69	2.04	29430	20189	0.69	2.17
82	61	26055	26055	1.00	1.74	25677	25677	1.00	1.82	25164	25164	1.00	1.92	24516	24516	1.00	2.05
82	64	27729	26786	0.97	1.79	27351	26421	0.97	1.86	26811	25899	0.97	1.96	26109	25221	0.97	2.09
82	68	29457	24921	0.85	1.83	29052	24578	0.85	1.91	28512	24121	0.85	2.00	27756	23482	0.85	2.13
82	72	31185	22640	0.73	1.87	30807	22366	0.73	1.95	30213	21935	0.73	2.04	29430	21366	0.73	2.17
86	61	26055	26055	1.00	1.74	25677	25677	1.00	1.82	25164	25164	1.00	1.92	24516	24516	1.00	2.05
86	64	27729	27729	1.00	1.79	27351	27351	1.00	1.86	26811	26811	1.00	1.96	26109	26109	1.00	2.09
86	68	29457	27277	0.93	1.83	29052	26902	0.93	1.91	28512	26402	0.93	2.00	27756	25702	0.93	2.13
86	72	31185	25135	0.81	1.87	30807	24830	0.81	1.95	30213	24352	0.81	2.04	29430	23721	0.81	2.17
90	61	26055	26055	1.00	1.74	25677	25677	1.00	1.82	25164	25164	1.00	1.92	24516	24516	1.00	2.05
90	64	27729	27729	1.00	1.79	27351	27351	1.00	1.86	26811	26811	1.00	1.96	26109	26109	1.00	2.09
90	68	29457	29457	1.00	1.83	29052	29052	1.00	1.91	28512	28512	1.00	2.00	27756	27756	1.00	2.13
90	72	31185	27630	0.89	1.87	30807	27295	0.89	1.95	30213	26769	0.89	2.04	29430	26075	0.89	2.17

MULTI-POSITION AIR HANDLER PERFORMANCE DATA

Note: C A :Capacity (Btu/h) SHC :Sensible heat capacity (Btu/h)  
 P.C. :Power consumption (kW) SHF :Sensible heat factor

**COOLING operation at Rated frequency****SVZ-KP30NA / SUZ-KA30NAHZ**

CAPACITY : 27000(Btu/h) INPUT :2.1(kW) SHF :0.83

		OUTDOOR DB(°F)							
INDOOR DB(°F)	INDOOR WB(°F)	104				115			
		CA	SHC	SHF	P.C.	CA	SHC	SHF	P.C.
68	61	23679	17191	0.73	2.19	22437	16289	0.73	2.41
68	64	25218	15282	0.61	2.24	23895	14480	0.61	2.46
68	61	23679	18138	0.77	2.19	22437	17187	0.77	2.41
68	64	25218	16291	0.65	2.24	23895	15436	0.65	2.46
68	68	26811	14103	0.53	2.28	25353	13336	0.53	2.50
72	61	23679	20032	0.85	2.19	22437	18982	0.85	2.41
72	64	25218	18308	0.73	2.24	23895	17348	0.73	2.46
72	68	26811	16247	0.61	2.28	25353	15364	0.61	2.50
75	61	23679	21927	0.93	2.19	22437	20777	0.93	2.41
75	64	25218	20326	0.81	2.24	23895	19259	0.81	2.46
75	68	26811	18392	0.69	2.28	25353	17392	0.69	2.50
75	72	28404	16077	0.57	2.32	26811	15175	0.57	2.55
79	61	23679	23679	1.00	2.19	22437	22437	1.00	2.41
79	64	25218	22343	0.89	2.24	23895	21171	0.89	2.46
79	68	26811	20537	0.77	2.28	25353	19420	0.77	2.50
79	72	28404	18349	0.65	2.32	26811	17320	0.65	2.55
81	61	23679	23679	1.00	2.19	22437	22437	1.00	2.41
81	64	25218	23352	0.93	2.24	23895	22127	0.93	2.46
81	68	26811	21610	0.81	2.28	25353	20435	0.81	2.50
81	72	28404	19485	0.69	2.32	26811	18392	0.69	2.55
82	61	23679	23679	1.00	2.19	22437	22437	1.00	2.41
82	64	25218	24361	0.97	2.24	23895	23083	0.97	2.46
82	68	26811	22682	0.85	2.28	25353	21449	0.85	2.50
82	72	28404	20621	0.73	2.32	26811	19465	0.73	2.55
86	61	23679	23679	1.00	2.19	22437	22437	1.00	2.41
86	64	25218	25218	1.00	2.24	23895	23895	1.00	2.46
86	68	26811	24827	0.93	2.28	25353	23477	0.93	2.50
86	72	28404	22894	0.81	2.32	26811	21610	0.81	2.55
90	61	23679	23679	1.00	2.19	22437	22437	1.00	2.41
90	64	25218	25218	1.00	2.24	23895	23895	1.00	2.46
90	68	26811	26811	1.00	2.28	25353	25353	1.00	2.50
90	72	28404	25166	0.89	2.32	26811	23755	0.89	2.55

Note: C A :Capacity (Btu/h)  
P.C. :Power consumption (kW)

SHC :Sensible heat capacity (Btu/h)  
SHF :Sensible heat factor

**COOLING operation at Rated frequency**  
**SVZ-KP36NA / SUZ-KA36NAHZ**  
 CAPACITY : 36000(Btu/h) INPUT :3.76(kW) SHF :0.74

INDOOR		OUTDOOR DB(°F)															
DB(°F)	WB(°F)	68				77				86				95			
		CA	SHC	SHF	P.C.	CA	SHC	SHF	P.C.	CA	SHC	SHF	P.C.	CA	SHC	SHF	P.C.
68	61	34740	22095	0.64	3.12	34236	21774	0.64	3.26	33552	21339	0.64	3.44	32688	20790	0.64	3.66
68	64	36972	19078	0.52	3.20	36468	18817	0.52	3.34	35748	18446	0.52	3.52	34812	17963	0.52	3.74
68	61	34740	23484	0.68	3.12	34236	23144	0.68	3.26	33552	22681	0.68	3.44	32688	22097	0.68	3.66
68	64	36972	20556	0.56	3.20	36468	20276	0.56	3.34	35748	19876	0.56	3.52	34812	19355	0.56	3.74
68	68	39276	17124	0.44	3.28	38736	16889	0.44	3.41	38016	16575	0.44	3.59	37008	16135	0.44	3.81
72	61	34740	26263	0.76	3.12	34236	25882	0.76	3.26	33552	25365	0.76	3.44	32688	24712	0.76	3.66
72	64	36972	23514	0.64	3.20	36468	23194	0.64	3.34	35748	22736	0.64	3.52	34812	22140	0.64	3.74
72	68	39276	20266	0.52	3.28	38736	19988	0.52	3.41	38016	19616	0.52	3.59	37008	19096	0.52	3.81
75	61	34740	29043	0.84	3.12	34236	28621	0.84	3.26	33552	28049	0.84	3.44	32688	27327	0.84	3.66
75	64	36972	26472	0.72	3.20	36468	26111	0.72	3.34	35748	25596	0.72	3.52	34812	24925	0.72	3.74
75	68	39276	23408	0.60	3.28	38736	23087	0.60	3.41	38016	22658	0.60	3.59	37008	22057	0.60	3.81
75	72	41580	19792	0.48	3.35	41076	19552	0.48	3.49	40284	19175	0.48	3.66	39240	18678	0.48	3.88
79	61	34740	31822	0.92	3.12	34236	31360	0.92	3.26	33552	30734	0.92	3.44	32688	29942	0.92	3.66
79	64	36972	29430	0.80	3.20	36468	29029	0.80	3.34	35748	28455	0.80	3.52	34812	27710	0.80	3.74
79	68	39276	26551	0.68	3.28	38736	26186	0.68	3.41	38016	25699	0.68	3.59	37008	25017	0.68	3.81
79	72	41580	23118	0.56	3.35	41076	22838	0.56	3.49	40284	22398	0.56	3.66	39240	21817	0.56	3.88
81	61	34740	33211	0.96	3.12	34236	32730	0.96	3.26	33552	32076	0.96	3.44	32688	31250	0.96	3.66
81	64	36972	30909	0.84	3.20	36468	30487	0.84	3.34	35748	29885	0.84	3.52	34812	29103	0.84	3.74
81	68	39276	28122	0.72	3.28	38736	27735	0.72	3.41	38016	27219	0.72	3.59	37008	26498	0.72	3.81
81	72	41580	24782	0.60	3.35	41076	24481	0.60	3.49	40284	24009	0.60	3.66	39240	23387	0.60	3.88
82	61	34740	34601	1.00	3.12	34236	34099	1.00	3.26	33552	33418	1.00	3.44	32688	32557	1.00	3.66
82	64	36972	32387	0.88	3.20	36468	31946	0.88	3.34	35748	31315	0.88	3.52	34812	30495	0.88	3.74
82	68	39276	29693	0.76	3.28	38736	29284	0.76	3.41	38016	28740	0.76	3.59	37008	27978	0.76	3.81
82	72	41580	26445	0.64	3.35	41076	26124	0.64	3.49	40284	25621	0.64	3.66	39240	24957	0.64	3.88
86	61	34740	34740	1.00	3.12	34236	34236	1.00	3.26	33552	33552	1.00	3.44	32688	32688	1.00	3.66
86	64	36972	35345	0.96	3.20	36468	34863	0.96	3.34	35748	34175	0.96	3.52	34812	33280	0.96	3.74
86	68	39276	32835	0.84	3.28	38736	32383	0.84	3.41	38016	31781	0.84	3.59	37008	30939	0.84	3.81
86	72	41580	29771	0.72	3.35	41076	29410	0.72	3.49	40284	28843	0.72	3.66	39240	28096	0.72	3.88
90	61	34740	34740	1.00	3.12	34236	34236	1.00	3.26	33552	33552	1.00	3.44	32688	32688	1.00	3.66
90	64	36972	36972	1.00	3.20	36468	36468	1.00	3.34	35748	35748	1.00	3.52	34812	34812	1.00	3.74
90	68	39276	35977	0.92	3.28	38736	35482	0.92	3.41	38016	34823	0.92	3.59	37008	33899	0.92	3.81
90	72	41580	33098	0.80	3.35	41076	32696	0.80	3.49	40284	32066	0.80	3.66	39240	31235	0.80	3.88

MULTI-POSITION AIR HANDLER PERFORMANCE DATA

Note: C A :Capacity (Btu/h) SHC :Sensible heat capacity (Btu/h)  
 P.C. :Power consumption (kW) SHF :Sensible heat factor

**COOLING operation at Rated frequency****SVZ-KP36NA / SUZ-KA36NAHZ**

CAPACITY : 36000(Btu/h) INPUT :3.76(kW) SHF :0.74

		OUTDOOR DB(°F)							
INDOOR DB(°F)	INDOOR WB(°F)	104				115			
		CA	SHC	SHF	P.C.	CA	SHC	SHF	P.C.
68	61	31572	20080	0.64	3.93	29916	19027	0.64	4.32
68	64	33624	17350	0.52	4.00	31860	16440	0.52	4.40
68	61	31572	21343	0.68	3.93	29916	20223	0.68	4.32
68	64	33624	18695	0.56	4.00	31860	17714	0.56	4.40
68	68	35748	15586	0.44	4.08	33804	14739	0.44	4.48
72	61	31572	23868	0.76	3.93	29916	22616	0.76	4.32
72	64	33624	21385	0.64	4.00	31860	20263	0.64	4.40
72	68	35748	18446	0.52	4.08	33804	17443	0.52	4.48
75	61	31572	26394	0.84	3.93	29916	25010	0.84	4.32
75	64	33624	24075	0.72	4.00	31860	22812	0.72	4.40
75	68	35748	21306	0.60	4.08	33804	20147	0.60	4.48
75	72	37872	18027	0.48	4.16	35748	17016	0.48	4.57
79	61	31572	28920	0.92	3.93	29916	27403	0.92	4.32
79	64	33624	26765	0.80	4.00	31860	25361	0.80	4.40
79	68	35748	24166	0.68	4.08	33804	22852	0.68	4.48
79	72	37872	21057	0.56	4.16	35748	19876	0.56	4.57
81	61	31572	30183	0.96	3.93	29916	28600	0.96	4.32
81	64	33624	28110	0.84	4.00	31860	26635	0.84	4.40
81	68	35748	25596	0.72	4.08	33804	24204	0.72	4.48
81	72	37872	22572	0.60	4.16	35748	21306	0.60	4.57
82	61	31572	31446	1.00	3.93	29916	29796	1.00	4.32
82	64	33624	29455	0.88	4.00	31860	27909	0.88	4.40
82	68	35748	27025	0.76	4.08	33804	25556	0.76	4.48
82	72	37872	24087	0.64	4.16	35748	22736	0.64	4.57
86	61	31572	31572	1.00	3.93	29916	29916	1.00	4.32
86	64	33624	32145	0.96	4.00	31860	30458	0.96	4.40
86	68	35748	29885	0.84	4.08	33804	28260	0.84	4.48
86	72	37872	27116	0.72	4.16	35748	25596	0.72	4.57
90	61	31572	31572	1.00	3.93	29916	29916	1.00	4.32
90	64	33624	33624	1.00	4.00	31860	31860	1.00	4.40
90	68	35748	32745	0.92	4.08	33804	30964	0.92	4.48
90	72	37872	30146	0.80	4.16	35748	28455	0.80	4.57

Note: CA :Capacity (Btu/h)  
P.C. :Power consumption (kW)

SHC :Sensible heat capacity (Btu/h)  
SHF :Sensible heat factor

**HEATING operation at Rated frequency**

**SVZ-KP12NA / SUZ-KA12NAHZ**

CAPACITY : 15000(Btu/h) INPUT : 1.13(kW)

INDOOR	OUTDOOR WB(°F)											
	14		23		32		41		50		59	
	CA	P.C.	CA	P.C.	CA	P.C.	CA	P.C.	CA	P.C.	CA	P.C.
59	10350	0.89	12600	1.04	13725	1.11	15675	1.10	17025	1.15	18600	1.21
68	9825	0.92	12075	1.07	13125	1.13	15075	1.12	16425	1.18	18000	1.23
77	9450	0.94	11700	1.09	12750	1.16	14550	1.15	15900	1.20	17400	1.26

**SVZ-KP18NA / SUZ-KA18NAHZ**

CAPACITY : 21600(Btu/h) INPUT : 1.88(kW)

INDOOR	OUTDOOR WB(°F)											
	14		23		32		41		50		59	
	CA	P.C.	CA	P.C.	CA	P.C.	CA	P.C.	CA	P.C.	CA	P.C.
59	14904	1.48	18144	1.73	19764	1.84	22572	1.82	24516	1.91	26784	2.01
68	14148	1.52	17388	1.77	18900	1.89	21708	1.87	23652	1.96	25920	2.05
77	13608	1.57	16848	1.82	18360	1.93	20952	1.91	22896	2.00	25056	2.10

**SVZ-KP24NA / SUZ-KA24NAHZ**

CAPACITY : 23000(Btu/h) INPUT : 2.14(kW)

INDOOR	OUTDOOR WB(°F)											
	14		23		32		41		50		59	
	CA	P.C.	CA	P.C.	CA	P.C.	CA	P.C.	CA	P.C.	CA	P.C.
59	14605	1.26	15870	1.39	17710	1.61	23230	1.93	26220	2.14	29210	2.31
68	14030	1.37	15180	1.50	16790	1.73	22425	2.08	25300	2.31	28175	2.48
77	13570	1.46	14720	1.63	16100	1.88	21160	2.20	24380	2.47	27140	2.66

**SVZ-KP30NA / SUZ-KA30NAHZ**

CAPACITY : 32000(Btu/h) INPUT : 2.40(kW)

INDOOR	OUTDOOR WB(°F)											
	14		23		32		41		50		59	
	CA	P.C.	CA	P.C.	CA	P.C.	CA	P.C.	CA	P.C.	CA	P.C.
59	20320	1.42	22080	1.56	24640	1.80	32320	2.16	36480	2.40	40640	2.59
68	19520	1.54	21120	1.68	23360	1.94	31200	2.33	35200	2.59	39200	2.78
77	18880	1.63	20480	1.82	22400	2.11	29440	2.47	33920	2.77	37760	2.99

**SVZ-KP36NA / SUZ-KA36NAHZ**

CAPACITY : 37000(Btu/h) INPUT : 3.28(kW)

INDOOR	OUTDOOR WB(°F)											
	14		23		32		41		50		59	
	CA	P.C.	CA	P.C.	CA	P.C.	CA	P.C.	CA	P.C.	CA	P.C.
59	23495	1.94	25530	2.13	28490	2.46	37370	2.95	42180	3.28	46990	3.54
68	22570	2.10	24420	2.30	27010	2.66	36075	3.18	40700	3.54	45325	3.80
77	21830	2.23	23680	2.49	25900	2.89	34040	3.38	39220	3.79	43660	4.08

Note: CA :Capacity (Btu/h) SHC :Sensible heat capacity (Btu/h)  
 P.C. :Power consumption (kW) SHF :Sensible heat factor