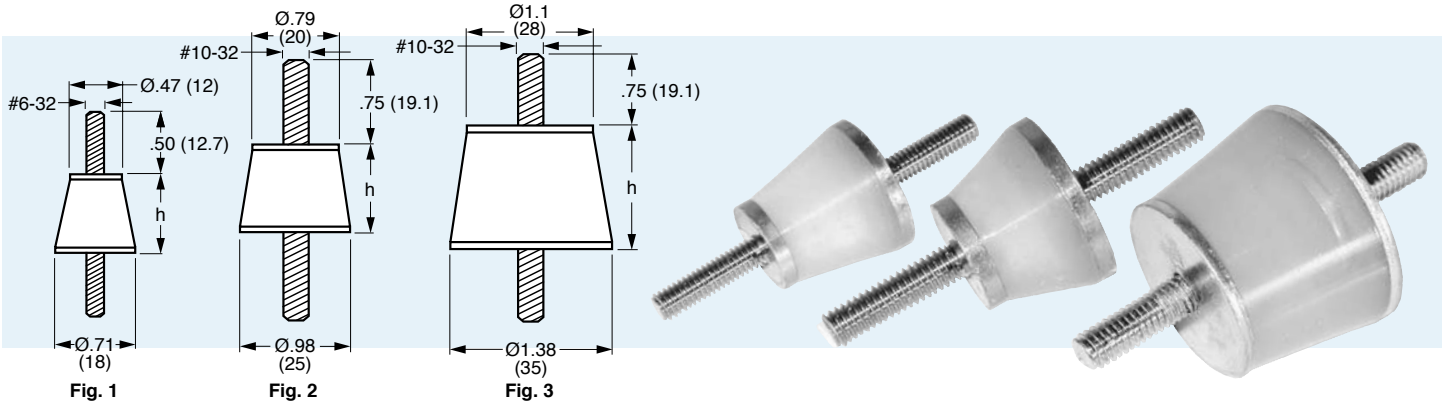


Double-Studded Silicone Gel Vibration Mounts

www.vibrationmounts.com Phone: 516.328.3662 Fax: 516.328.3365

- **MATERIAL:** Studs – Stainless Steel
Body – Silicone Gel

- **DAMPES LOW FREQUENCY VIBRATIONS**
- **FOR SMALL TO INTERMEDIATE LOAD APPLICATIONS**
- **TO BE USED IN COMPRESSION ONLY**

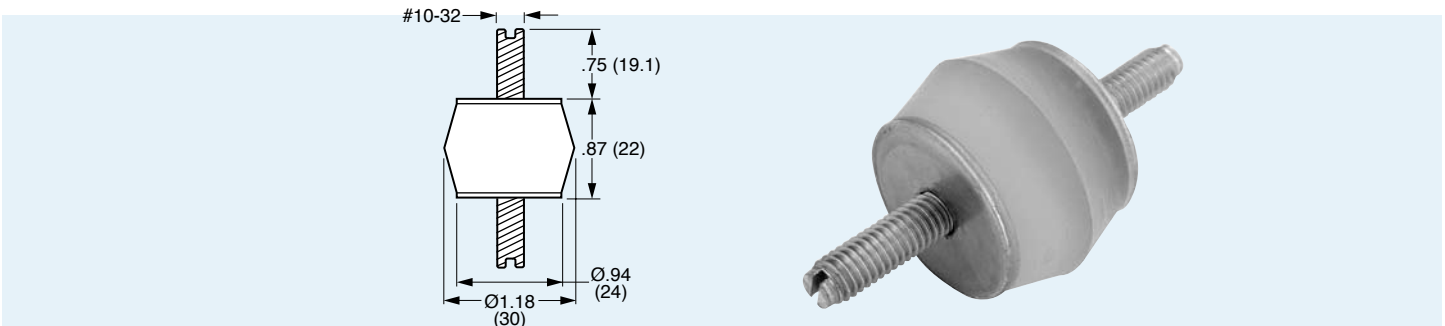


Note: Dimensions in () are mm.

TEMPERATURE RANGE: -40°F to +392°F (-40°C to +200°C)

Catalog Number	Fig. Number	Optimum Load lb./leg (kgf/leg)	Resonance Point Hz	Resonance Magnification dB	Recommended Frequency Hz	h in. (mm)
V10Z64-THB	1	.9 to 1.3 (0.4 to 0.6)	13 to 11	13 to 12	18 ~	.71 (18)
V10Z64-THA		1.1 to 1.8 (0.5 to 0.8)	16 to 15	12	23 ~	.51 (13)
V10Z64-THC	2	0.8 to 2 (1.8 to 4.4)	14 to 12	13 to 12	20 ~	.71 (18)
V10Z64-THTW	3	27.6 to 55.1 (12.5 to 25)	10 to 8	20 to 19	from 14	.98 (25)

- **MATERIAL:** Studs – Stainless Steel
Body – Silicone Gel



Note: Dimensions in () are mm.

TEMPERATURE RANGE: -40°F to +392°F (-40°C to +200°C)

Catalog Number	Optimum Load lb./leg (kgf/leg)	Resonance Point Hz	Resonance Magnification dB	Recommended Frequency Hz
V10Z64-MN03	4.4 to 7.7 (2 to 3.5)	12 to 10	12	17 ~
*V10Z64-MN05	7.7 to 12.1 (3.5 to 5.5)	11 to 10	14 to 13	16 ~
V10Z64-MN07	12.1 to 18.1 (5.5 to 8.5)	11 to 10	16 to 15	16 ~
V10Z64-MN10	18.7 to 27.6 (8.5 to 12.5)	11 to 10	20 to 18	16 ~

See application page for proper usage.
*See page 2-4 for Transmissibility Chart.

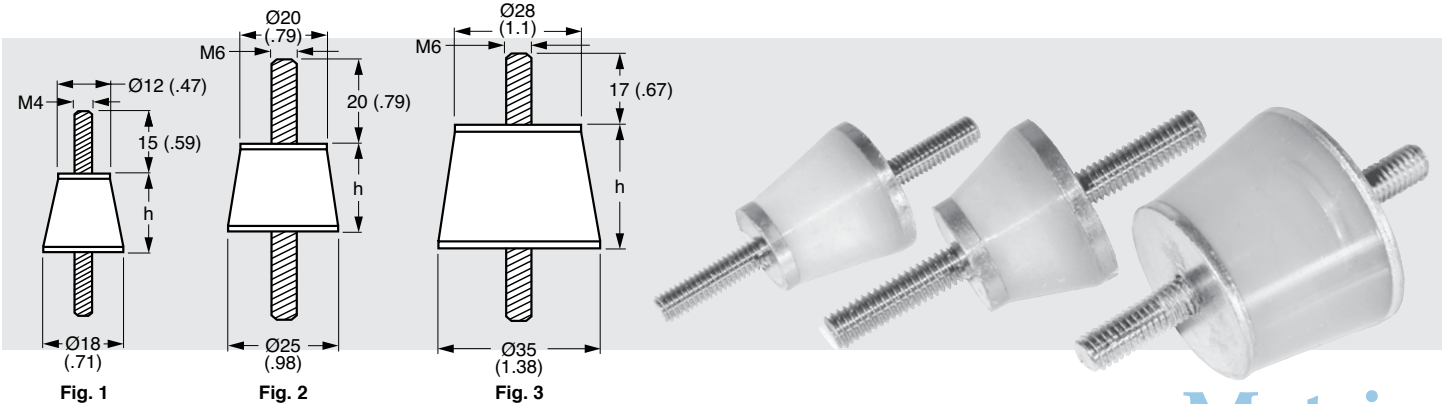


Double-Studded Silicone Gel Vibration Mounts

www.vibrationmounts.com Phone: 516.328.3662 Fax: 516.328.3365

- **MATERIAL:** Studs – Steel, Trivalent Chromate Plated
Body – Silicone Gel

- **DAMPES LOW FREQUENCY VIBRATIONS**
- **FOR SMALL TO INTERMEDIATE LOAD APPLICATIONS**
- **TO BE USED IN COMPRESSION ONLY**



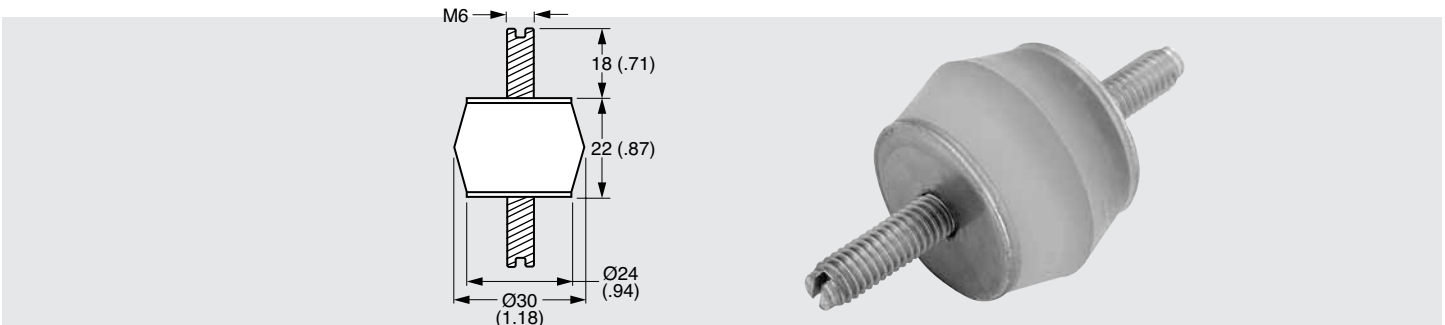
Note: Dimensions in () are inch.

TEMPERATURE RANGE: -40°C to +200°C (-40°F to +392°F)

Metric

Catalog Number	Fig. Number	Optimum Load kgf/leg (lb./leg)	Resonance Point Hz	Resonance Magnification dB	Recommended Frequency Hz	h mm (in.)
V10Z61MTHB	1	0.4 to 0.6 (.9 to 1.3)	13 to 11	13 to 12	18 ~	18 (.71)
V10Z61MTHA		0.5 to 0.8 (1.1 to 1.8)	16 to 15	12	23 ~	13 (.51)
V10Z61MTHC	2	0.8 to 2 (1.8 to 4.4)	14 to 12	13 to 12	20 ~	18 (.71)
V10Z61MHTW	3	12.5 to 25 (27.6 to 55.1)	10 to 8	20 to 19	from 14	25 (.98)

- **MATERIAL:** Studs – Steel, Trivalent Chromate Plated
Body – Silicone Gel



Note: Dimensions in () are inch.

TEMPERATURE RANGE: -40°C to +200°C (-40°F to +392°F)

Catalog Number	Optimum Load kgf/leg (lb./leg)	Resonance Point Hz	Resonance Magnification dB	Recommended Frequency Hz
V10Z61MMN03	2 to 3.5 (4.4 to 7.7)	12 to 10	12	17 ~
*V10Z61MMN05	3.5 to 5.5 (7.7 to 12.1)	11 to 10	14 to 13	16 ~
V10Z61MMN07	5.5 to 8.5 (12.1 to 18.7)	11 to 10	16 to 15	16 ~
V10Z61MMN10	8.5 to 12.5 (18.7 to 27.6)	11 to 10	20 to 18	16 ~

See application page for proper usage.
*See page 2-5 for Transmissibility Chart.