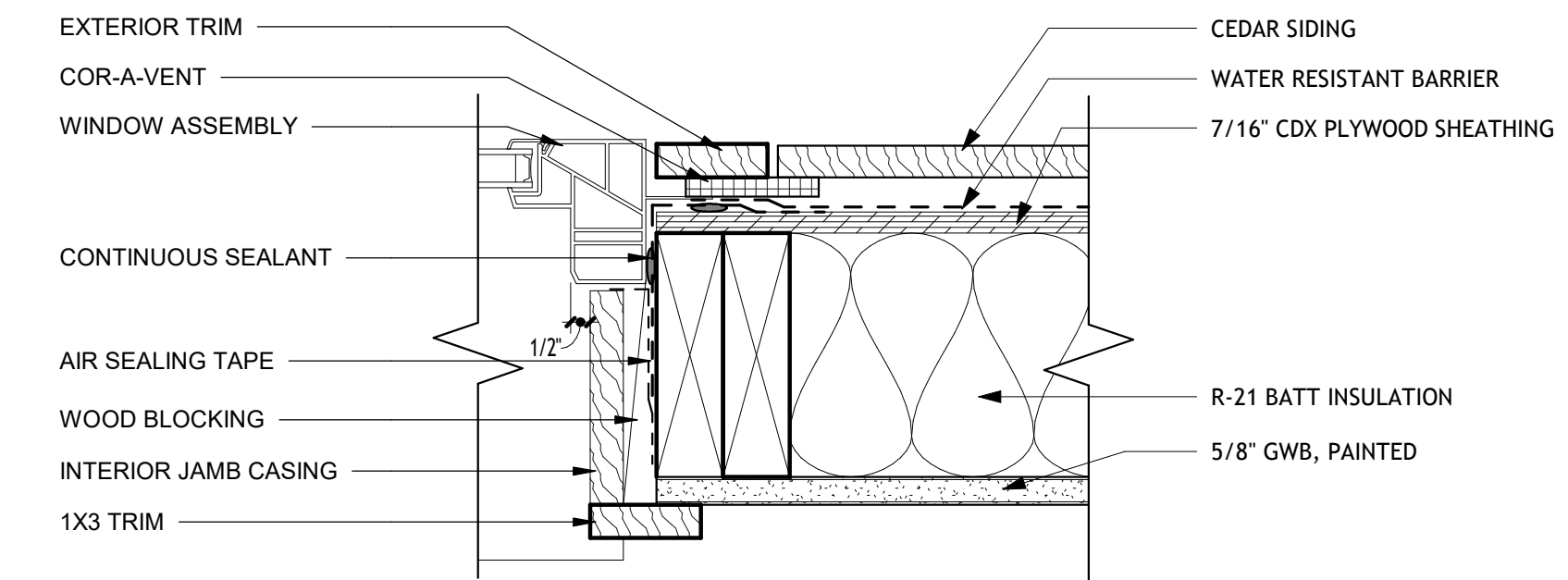
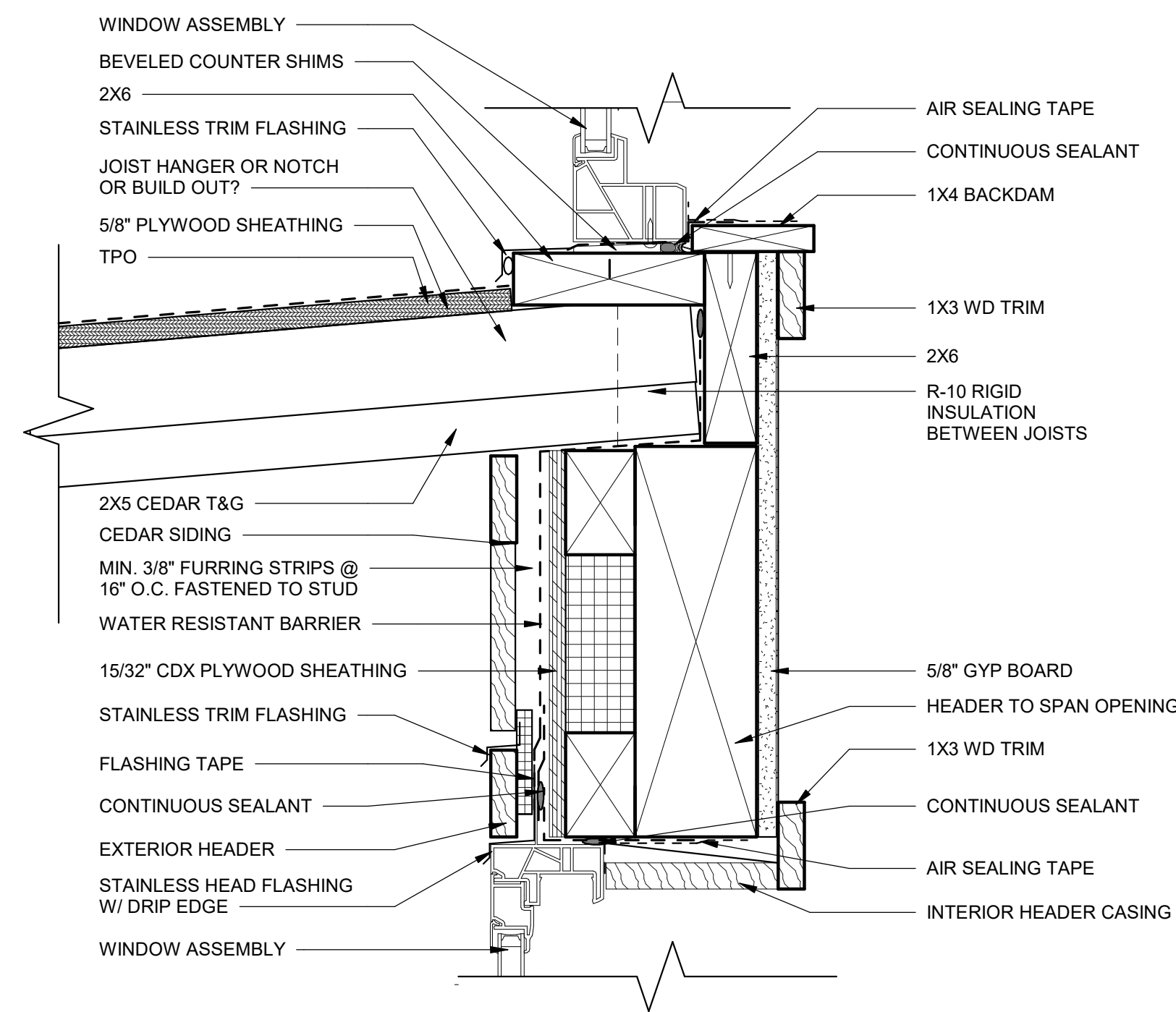


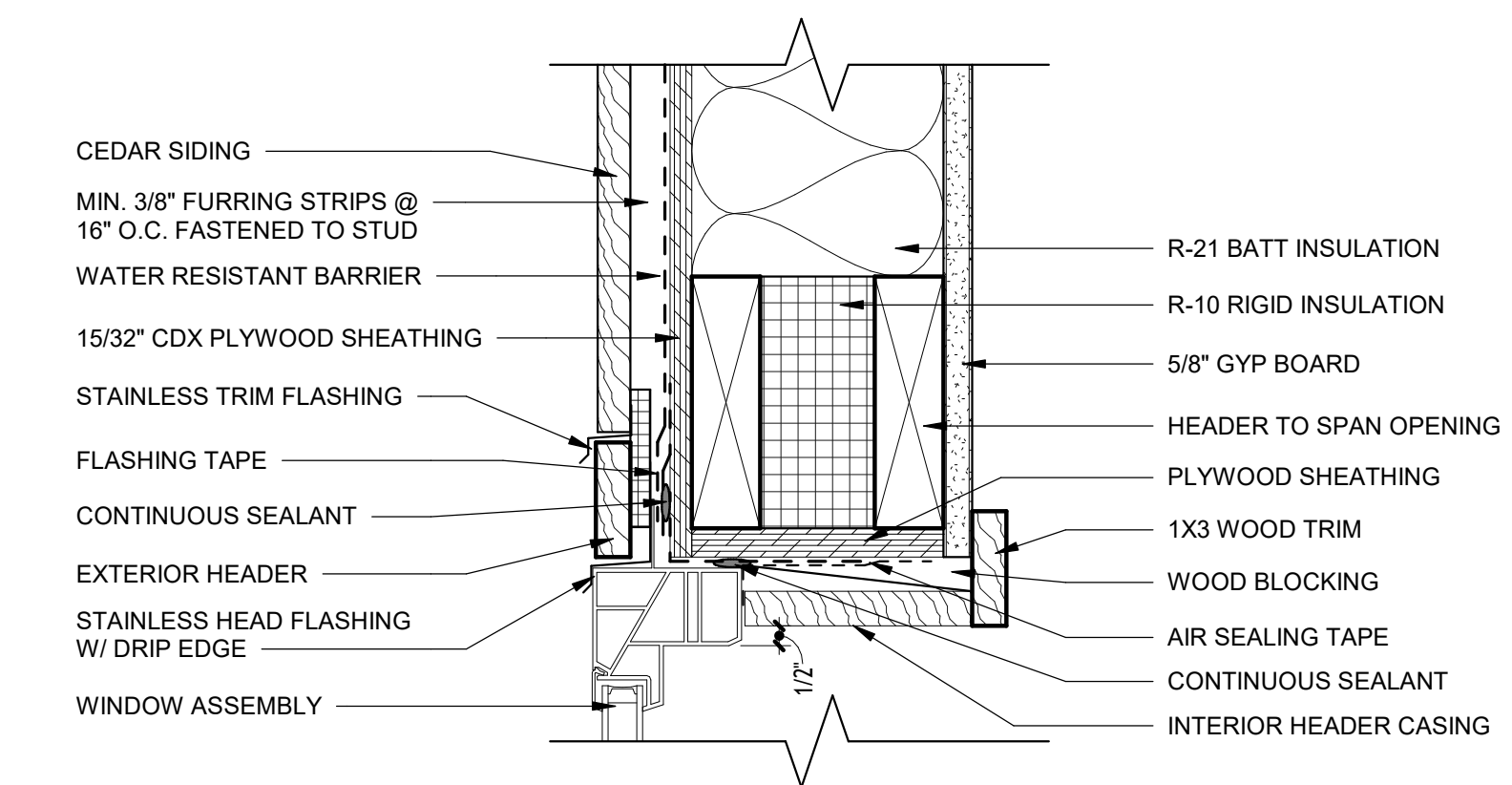
8 HEADER DTL @ CLERESTORY
3" = 1'-0"



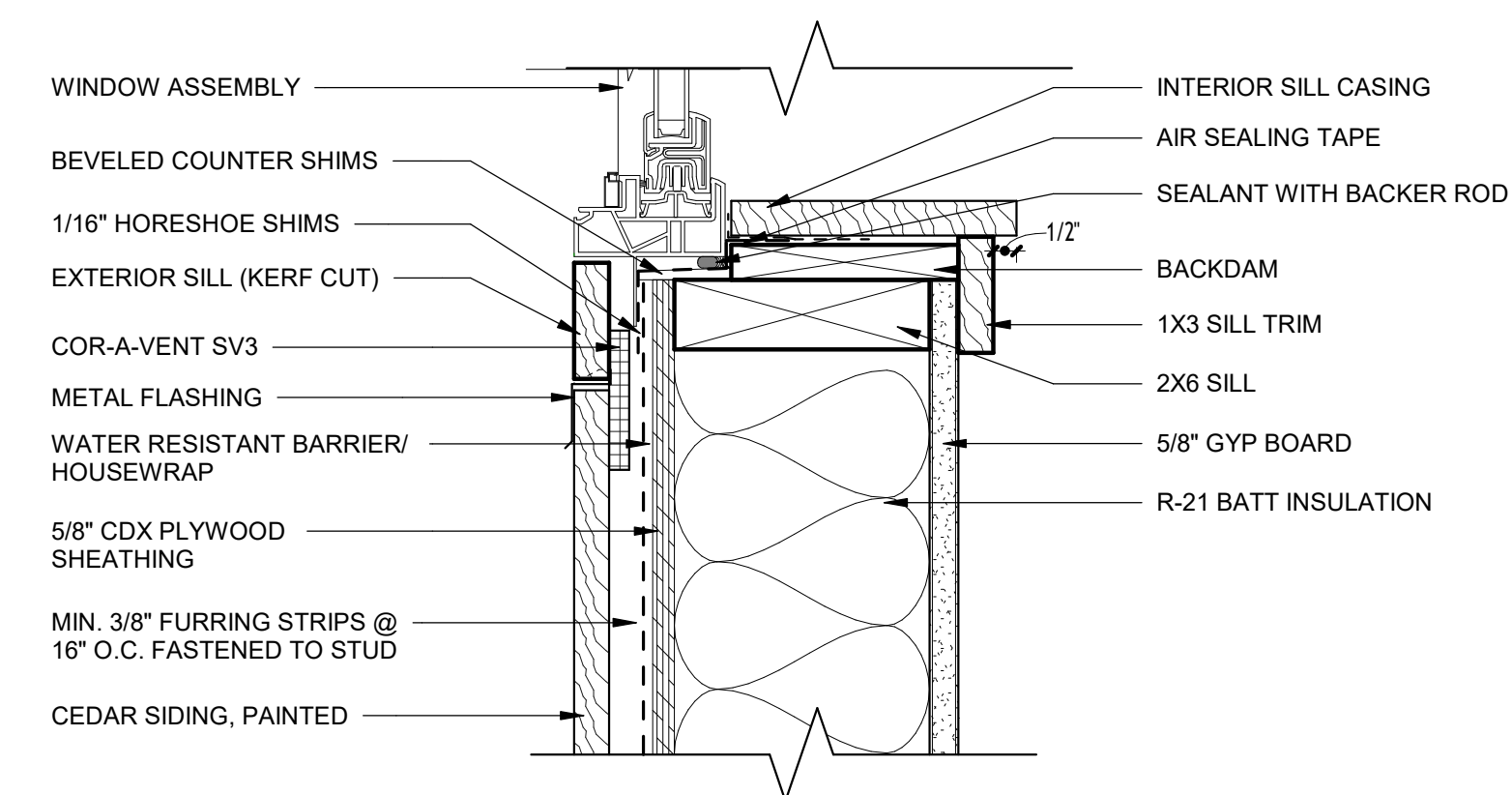
7 JAMB DTL - FIXED W/FLANGE
3" = 1'-0"



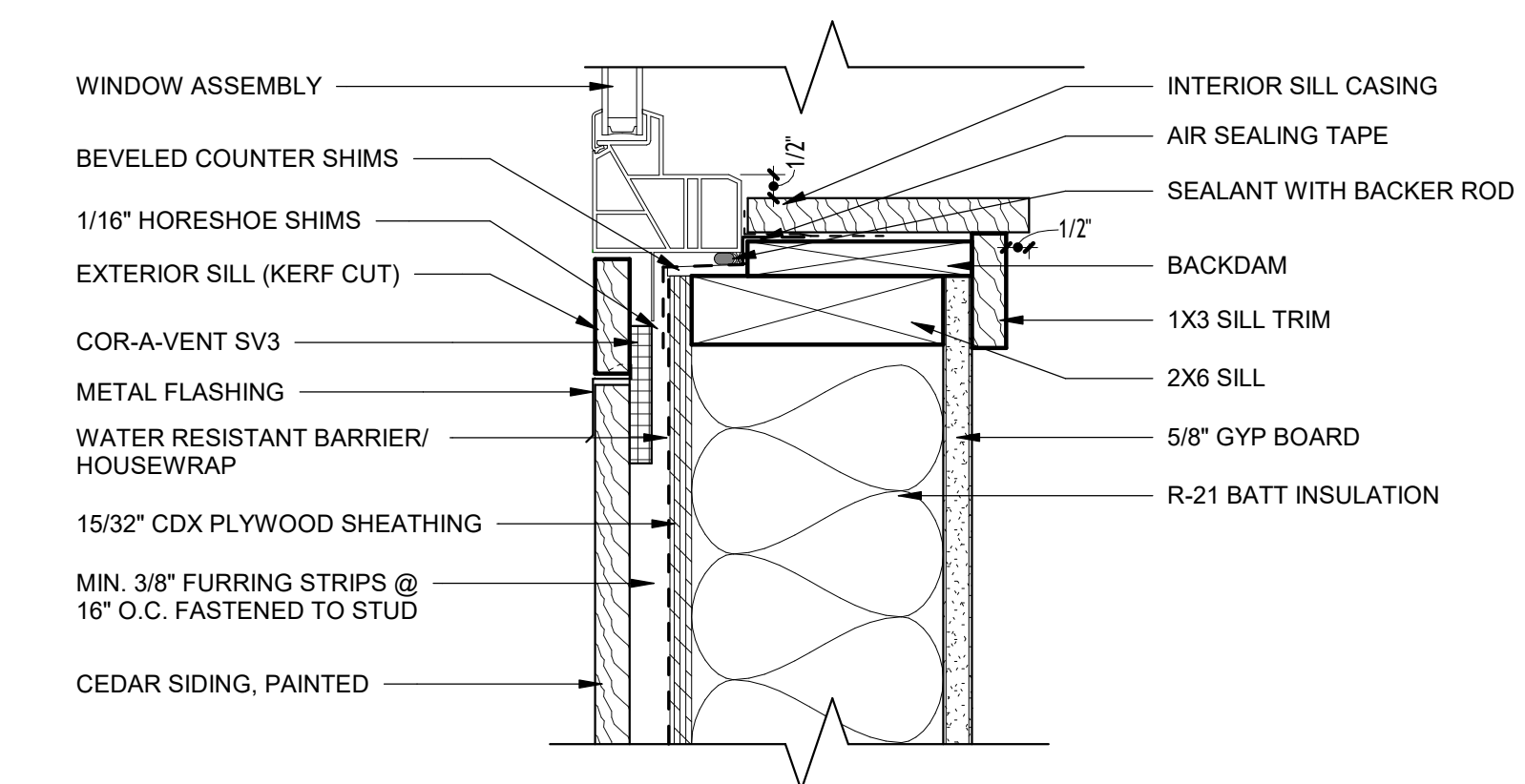
5 SILL DTL @ CLERESTORY Copy 1
3" = 1'-0"



4 HEADER DTL - FIXED W/FLANGE
3" = 1'-0"



2 SILL DTL @ GLIDING WINDOWS
3" = 1'-0"



1 SILL DTL - FIXED W/FLANGE
3" = 1'-0"