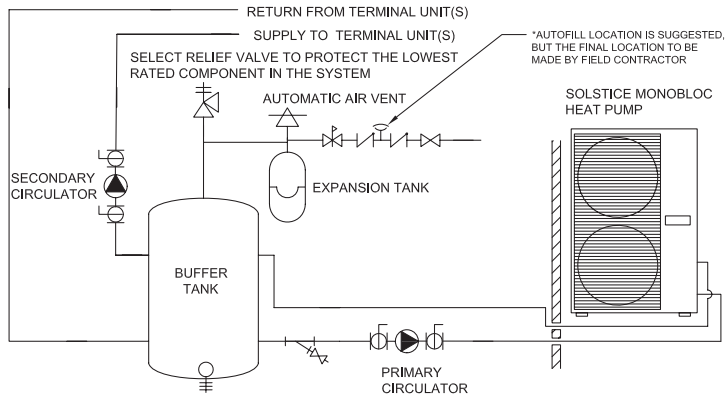
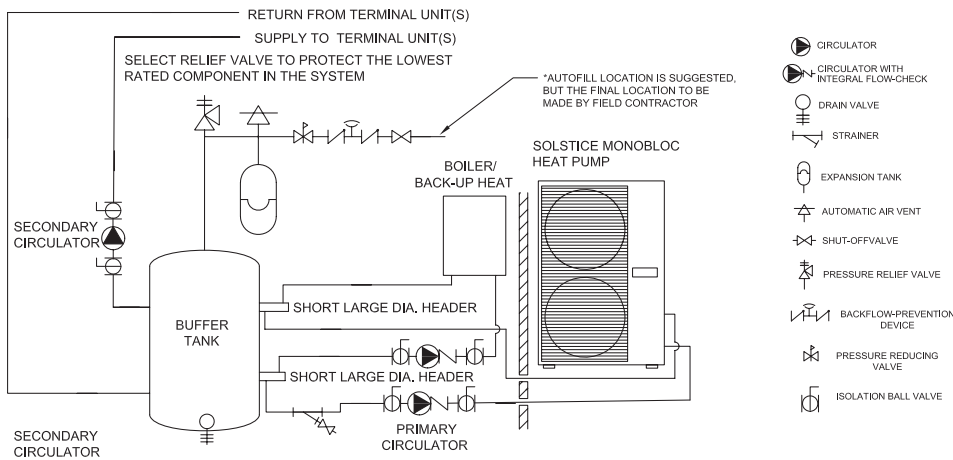


# Typical System Diagram

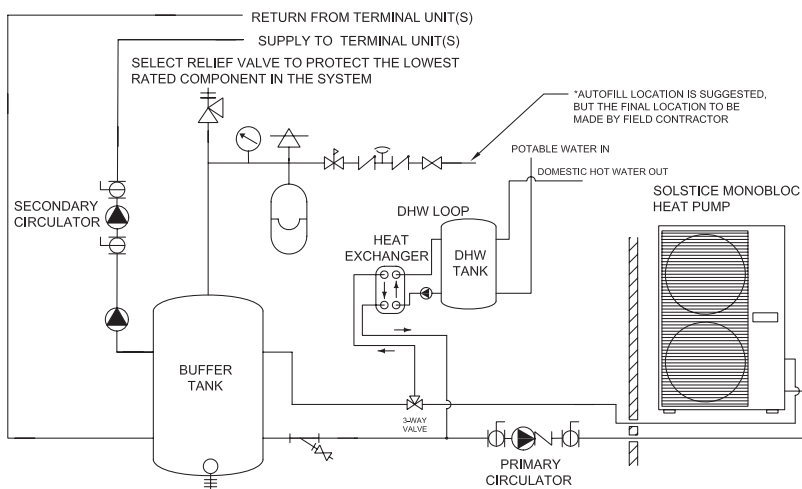
## Basic Heat Pump Installation



## Heat Pump Installation with Auxiliary Back-Up Heat



## Heat Pump Installation with Domestic Hot Water Offset



**\*Autofill system is suggested but not required by SpacePak. If such installation is desired or required by local code, the Autofill MUST draw from a reservoir of pre-mixed glycol/water solution. Filling directly from a well or municipal water source may introduce contaminants and will dilute the glycol solution in the event of a system leak. This may impact warranty coverage.**